

next  green

# Product catalogue

Mounting and installation products  
E-mobility

2024

Next Green Product catalogue 2024 Vol. 1



The Next Green Way

# Shaping the world of EV-infrastructure

Foto: Jelf Carter (omslag), Paul Eriksson & Christoffer Ahlin



you might need for installation of charging solutions for electrically powered vehicles.

**At Next Green we develop, design, and manufacture our own products** for mounting and installation of E-mobility products.

The products are both designed and made in Sweden. Look no further - **Next Green is your One-Stop-Shop for charging solutions for electric vehicles.** We call it The Next Green Way.

Welcome!

### CONTACT US

Questions regarding Next Greens products welcome to contact us directly at:

**+46 (0)250-50 39 90** or: **info@nextgreen.se**

Fast customer service is important to us. We are never further than one phone call away. You are welcome to contact us.

Sweden and the rest of the world is now witnessing one of the biggest technical disruptions of the last century - the transition to **electrically powered vehicles**. Next Green specializes in in-house designed mounting and installation products. At Next Green we are proud to be able to provide our customers with the best solutions for every imaginable situation.

We love to get involved early in the project planning stage. We can suggest solutions and deliver products to electricians, property owners, companies, municipalities, destinations and private persons in residences.

At Next Green we develop, design, and manufacture our own products for mounting and installation of E-mobility products. Together with our customers we bring unique products and solutions to the market. We offer a complete product range for everything

## Product catalogue

Mounting and installation products E-mobility



### WALLPLATE

250

Page 5



320

Page 6



### DAYTONA

DAYTONA T2

Page 7



### NEXT POLE

NEXT POLE

Page 8-9



### POLEBOX

COMPACT

Page 10



COMPACT CEILING

Page 11



190 S

Page 12



### POLEBOX - EV-charger mount for Ø 60 mm tubes with room for RCBO or RCCB inside the cabinet

205 D2

Page 13



270 S

Page 14



270 D

Page 15



330 S

Page 16



330 D

Page 17



320 D

Page 18



205 ES

205 ED

Page 18



### POLEPLATE - EV-charger mount for Ø 60 mm tubes

150 P

Page 25



160 E

Page 26



165

Page 26



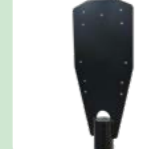
200 A

Page 28



225 Z

Page 29



300 CEILING

Page 30



330

Page 31



### POLEPLATE

380 D

Page 32



470 E

Page 32



### Tubes & Poles

EV-charging box poles

Page 33



Steel tubes Ø 60 mm

Page 35



### Protection

Collision protection

Page 36



### Tube- and ground mounts

Ceiling- and ground mount

Page 37



Angle mount 60

Page 38



### Tube- and ground mounts

Pole mount beam and facade

Page 39



Tube bracket plank and facade

Page 40



Pedestal Dynamic

Page 41



GP60-160 Combo GP108-160 Combo

Page 42



### Foundation

GP60 & GP108

Page 43



nextgreen.se

# Mounting and installation products



# Wallplate 250

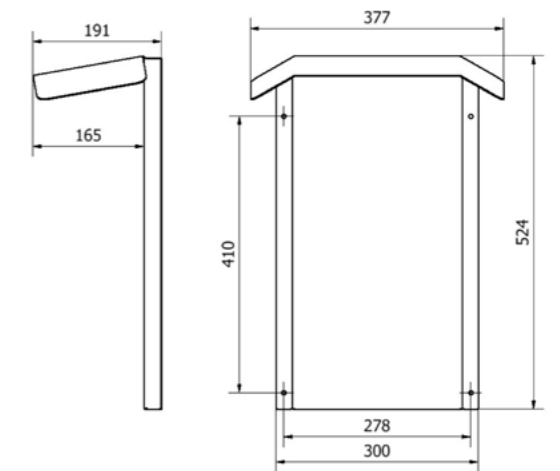
Mounting and installation products  
EV-charger wall mount  
NEXT GREEN WALLPLATE 250

## Model

E-No	Product name
24 803 68	Wallplate 250
S-No	
35 063 02	

## WALLPLATE 250 FEATURES

- For mounting an EV-charging station on a wall
- Facilitates mounting on uneven surfaces
- Wiring can be done behind the Wallplate
- Protects the EV-charging station and the wall
- Powder coated, available in various colors. Contact Next Green for more information



## Technical specifications

<b>Material</b>	Steel plate, powder coated
<b>Color</b>	Graphite grey
<b>Dimensions</b>	
Weight	3 kg
Height	524 mm
Width	377 mm
Depth	191 mm
<b>Packaging dimensions</b>	
Weight	3,1 kg
Height	550 mm
Width	380 mm
Depth	200 mm

Next Green Wallplate 250 is a universal wall mount for EV-charging stations.

Wallplate provides a flat and stable mounting surface on uneven facades and minimizes stress that can otherwise occur on the back of the charging box. Wallplate is designed to enable assembly of various differently sized EV-charging box models. The integrated roof protects against precipitation. Wallplate provides one solid mount for the charging box. Mounting holes for respective EV-charging box is drilled directly into the Wallplate mount for installation.

## SELECTION OF COMPATIBLE EV-CHARGERS

- ABB Terra AC
- Alfen Eve Single
- Charge Amps Dawn
- Charge Amps Halo
- DEFA Power
- Easee
- Elinta Homebox Slim
- Ensto One
- Ensto Home
- Garo Entity Compact
- Garo Entity PRO
- Garo GLB
- go-e
- Norwesco Refuel
- Wallbox Pulsar Max
- Wallbox Copper SB
- Wallbox Commander
- Zaptec Go

## Accessories

Cable holder for mounting direct on the wall or Wallplate

**E-No**  
24 803 56  
**S-No**  
35 063 00

**Product name**  
Cable holder  
Daytona T2

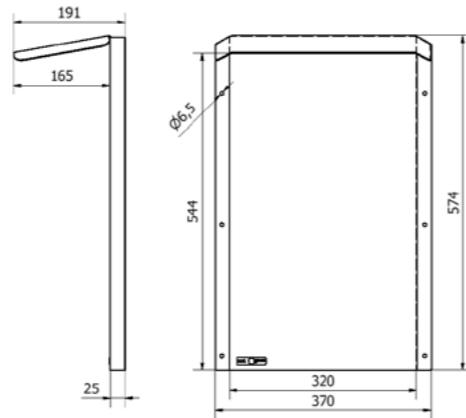


# Wallplate 320

Mounting and installation products  
EV-charger wall mount  
NEXT GREEN WALLPLATE 320

## Model

<b>E-No</b>	<b>Product name</b>
27 005 11	Wallplate 320
<b>S-No</b>	
35 063 14	



## WALLPLATE 320 FEATURES

- For mounting an EV-charging station on wall
- Facilitates mounting on uneven surfaces
- Wiring can be done behind the Wallplate
- Protects the EV-charging station and the wall
- Powder coated, available in various colors. Contact Next Green for more information

## Technical specifications

<b>Material</b>	Steel plate, powder coated
<b>Color</b>	Graphite grey
<b>Dimensions</b>	
Weight	3,5 kg
Height	574 mm
Width	370 mm
Depth	191 mm
<b>Packaging dimensions</b>	
Weight	3,6 kg
Height	580 mm
Width	370 mm
Depth	200 mm

Next Green Wallplate 320 is a universal wall mount for EV-charging stations.

Wallplate provides a flat and stable mounting surface on uneven facades and minimizes stress that can otherwise occur on the back of the charging box. Wallplate is designed to enable assembly of various differently sized EV-charging box models. The integrated roof protects against precipitation. Wallplate provides one solid mount for the charging box. Mounting holes for respective EV-charging box is drilled directly into the Wallplate mount for installation.



### SELECTION OF COMPATIBLE EV-CHARGERS

- Alfen Eve Double
- Charge Amps Aura
- CTEK Chargestorm
- DEFA eRange Duo
- Hager Witty
- Schneider EVlink Home
- Waybler Dynamic
- Zaptec Pro

## Accessories

Cable holder for mounting direct on the wall or Wallplate

<b>E-No</b>	<b>Product name</b>
24 803 56	Cable holder
<b>S-No</b>	Daytona T2
35 063 00	



# Daytona T2

Mounting and installation products  
EV-charger cable holder  
NEXT GREEN DAYTONA T2

## Model

<b>E-No</b>	<b>Product name</b>
24 803 56	Cable holder Daytona T2
<b>S-No</b>	
35 063 00	



## Technical specifications

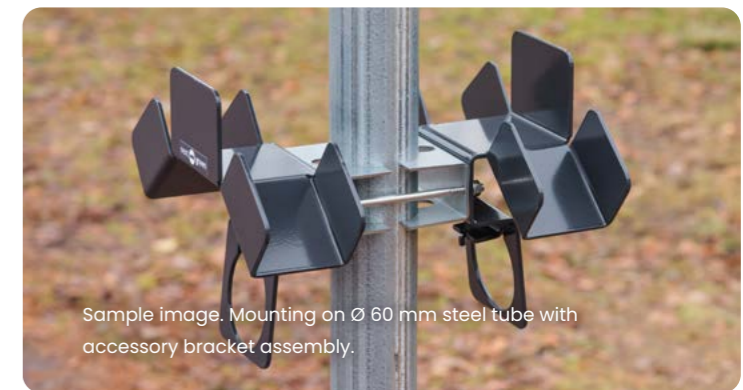
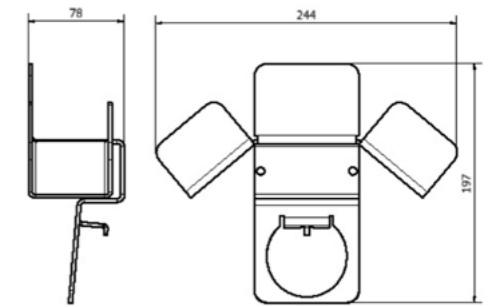
<b>Material</b>	Steel, powder coated
<b>Color</b>	Graphite grey
<b>Dimensions</b>	
Weight	1 kg
Height	197 mm
Width	244 mm
Depth	78 mm
<b>Packaging dimensions</b>	
Weight	1,1 kg
Height	220 mm
Width	240 mm
Depth	95 mm

Next Green Daytona T2 is a handy and tidy holder for your EV-charging cables.

Daytona T2 is made of steel and designed to keep your charger cable organized and extend the cables life span. The Type 2 socket is secured in place thanks to the laser cut housing. The EV-charging cable holder is designed by Next Green and manufactured in Sweden to suit the Nordic climate. The cable holder can be installed direct to a wall or on a pole or tube. When used on a wall, the holder protects the wall from damage from the cable. Daytona T2 comes powder coated with screws and plugs for wall installation.

## DAYTONA T2 FEATURES

- Keeps your charging cable neatly in place
- Robust and sturdy steel construction
- Can be mounted to both walls and steel tubes with a bracket set (option)
- Secures cable socket in the holder mount
- Extends the life of the charging cable
- Angled design for water drainage of charging glove for European Type T2 connector.
- Screws and plugs for fastening to the facade are included
- Powder coated, available in various colors. Contact Next Green for more information



Sample image. Mounting on Ø 60 mm steel tube with accessory bracket assembly.

## Accessories

Bracket set for mounting on Ø 60 mm steel tube. Tubes are ordered using a separate product number.

<b>E-No</b>	<b>Product name</b>
24 803 67	Bracket set for mounting on
<b>S-No</b>	Ø 60 mm steel tube
35 063 04	



# Next Pole Pedestal

Mounting and installation products  
EV-charger box mount  
NEXT GREEN NEXT POLE PEDESTAL

## Model

E-No	Product name
27 006 07	Next Pole Pedestal
S-No	
35 063 18	



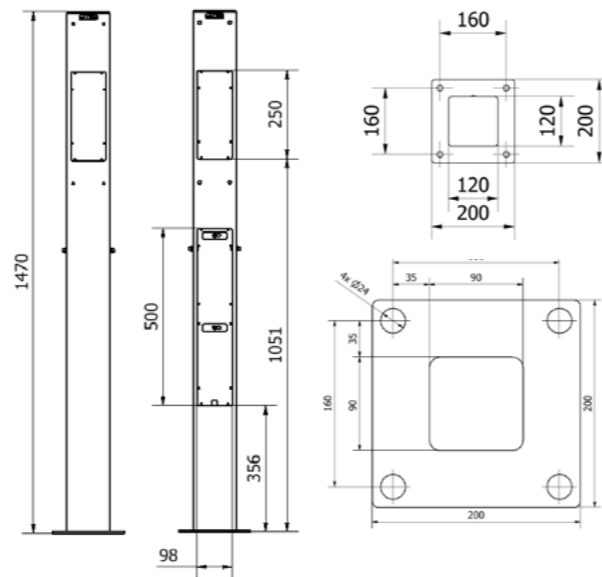
Sample image on the left with mounting plate for Zaptec Pro EV-charging box and Next Green Daytona T2 cable holder

## Technical specifications

<b>Materials</b>	Powder-coated 3 mm steel profile tube
<b>Color</b>	Graphite grey
<b>Dimensions</b>	
Weight	17 kg
Height	1470 mm
Width	120 mm (baseplate 200 mm)
Depth	120 mm (baseplate 200 mm)
<b>Dimensions (packaging)</b>	
Weight	18 kg
Height	1510 mm
Width	200 mm
Depth	200 mm

## NEXT POLE FEATURES

- Square design pedestal 120\*120 mm
- Laser-cut mounting plates for selected EV-charging boxes. These are ordered under a separate order number. See the list below.
- For mounting on foundation with adapter plate
- For mounting on cast foundation
- Hole pattern for CC-160 mm baseplate
- Robust steel structure
- Large, recessed service hatch
- Powder-coated, can be supplied in different colours. Contact Next Green for more information



**Next Pole Pedestal** is a square-designed pedestal for charging boxes intended for ground mounting. Next Pole is intended for laying electrical cable inside the pedestal. Large service hatch for easy installation. Next Pole is made of steel and is powder-coated for highest quality.

Next Pole is suitable for several charging box models and is supplemented with two mounting plates.

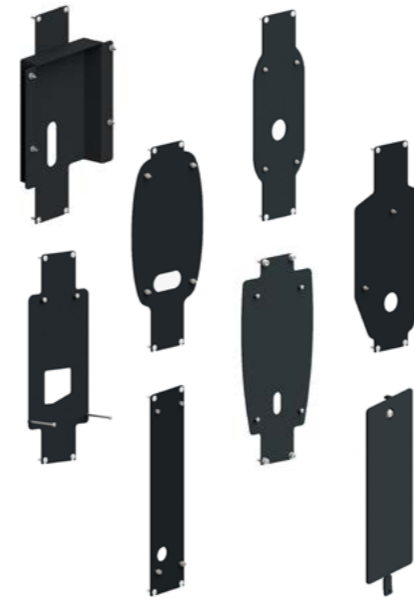
See the table on mounting plates above. One mounting plate per side is required. A hatch cover is required when fitting only 1 charge box.

Next Pole is easy to assemble with plenty of space inside. Special mounting plates simplify assembly.

During installation, Next Pole is placed on ground foundations. Next Pole can be mounted on a traditional concrete or plastic foundation together with Next Green adapter plate GP60-160 Combo (E number 27 000 69) or Next Green adapter plate GP108-160 Combo (E number 27 006 87). The Next Pole can also be equipped with two DIN-rails using the optional DIN equipment bracket (2x4 modules, E number: 27 006 61).

# Accessories

Mounting and installation products  
EV-charger box mount  
NEXT GREEN NEXT POLE PEDESTAL



## MOUNTING PLATES ARE AVAILABLE FOR THE FOLLOWING EV-CHARGING BOXES:

• ABB Terra AC	E-No: 27 007 33
• Charge Amps Aura	E-No: 27 006 53 S-No: 35 063 19
• Charge Amps Dawn	E-No: 27 006 54 S-No: 35 063 20
• DEFA Power	E-No: 27 006 55 S-No: 35 063 21
• Easee	E-No: 27 007 83
• Garo Entity PRO	E-No: 27 006 56 S-No: 35 063 22
• Phasebox One	E-No: 27 006 57 S-No: 35 063 23
• Schneider EVlink Pro AC	E-No: 27 006 58 S-No: 35 063 24
• Zaptec Pro	E-No: 27 006 59 S-No: 35 063 25
• Inset cover plate without hole pattern	E-No: 27 006 60 S-No: 35 063 26

Ordered under a separate number. Two mounting plates are required. A hatch cover is required when fitting only one (1) EV-charger.

## Accessories

### NEW! Roof Next Pole

Below: Next Pole Pedestal with accessories  
Next Pole Roof, mounting plate for Garo Entity PRO  
EV-charging box and Next Green Daytona T2 cable holder

E-No	S-No	Product name
27 007 34	35 063 33	Next Pole Roof
27 006 61	35 063 34	DIN mounting box
24 803 56	35 063 00	Cable holder Daytona T2



E-No	S-No	Product name
27 000 69	35 063 32	Ground mount GP60-160 Combo
27 006 87	35 063 38	Ground mount GP108-160 Combo
27 000 71	35 063 36	GP60 foundation
27 007 45	35 063 37	GP108 foundation
27 006 84	35 063 41	Bolt kit M16

For installation of Ground Bracket GP60-160 Combo and Next Pole baseplate



# Polebox Compact

Mounting and installation products  
EV-charger pole mount  
NEXT GREEN POLEBOX COMPACT

## Model

E-No	Product name
27 004 12	Charging box mount Polebox Compact



## Technical specifications

Material	Steel, High-strength steel, Magnelis®
Color	Graphite grey
<b>Dimensions</b>	
Weight	8 kg
Height	403 mm
Width	381 mm
Depth	440 mm
<b>Dimensions (packaging)</b>	
Weight	8,1 kg
Height	455 mm
Width	455 mm
Depth	250 mm

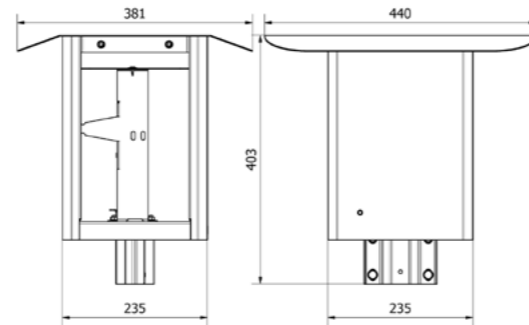
Next Green Polebox Compact is a pole mount for charging boxes for mounting on a Ø 60 mm steel tube. Polebox Compact makes it easy, for example when changing from engine heater location to charging location and can therefore be used to replace an engine heater hood. The product is intended for feeding electrical cables inside the pole tube.

Polebox Compact has a built-in distribution terminal for up to 2 x 5G25 mm<sup>2</sup> power cable for extending the connection to the next charging post. From the distribution terminal in the Polebox, the respective charging box is then connected using a 5G2.5 mm<sup>2</sup> rubber cable.

Polebox comes with a DIN rail to suit up to two RCCB/RCBO can be fitted with an additional DIN rail for

## FEATURES POLEBOX COMPACT

- Laser precut mounting plates for selected EV-chargers. The mounting plates are ordered on a separate E-number. See list below
- For mounting two chargers back-to-back
- For mounting on Ø 60 mm steel tubes
- Most of the installation can be prepared indoors
- Robust steel construction
- Distribution block (1.5mm<sup>2</sup> – 25mm<sup>2</sup>)
- Prepared for mounting up to two RCCB/RCBO, 3G / 4G router
- Powder coated, available in various colors. Contact Next Green for more information.



## MOUNTING PLATES ARE AVAILABLE FOR THE FOLLOWING EV-CHARGERS:

• Coverplate Blank	E-No: 27 004 50
• Charge Amps Halo	E-No: 27 004 13
• Easee	E-No: 27 004 51
• Wallbox Pulsar Max	E-No: 27 004 52
• Wallbox Copper SB	E-No: 27 004 53
• Zaptec Go	E-No: 27 004 58
• Wallbox Commander	E-No: 27 004 59

Mounting plates are ordered separately on above order numbers. Two mounting plates are needed.

units such as a Wi-Fi-router or a 3G/4G modem or power supply. Everything fits neatly inside the box. Polebox is made of steel steel and powder coated to provide the highest quality. Polebox Compact is supplemented with two mounting plates. See table of mounting plates above. One mounting plate per side is required.

Polebox is very easy to install. It can be prepared indoor by mounting charging boxes and unplugging the wiring from the dispersion terminal. Polebox is then put in place outside on the existing steel tube and the charger hood is lifted and fastened. This provides easy to access for screwing supply wires into the plinth.

The hood with the EV charger(s) is lifted and hooked up. It is then easy to access to screw the supply cables into the terminal.

# Polebox Compact Ceiling

Mounting and installation products  
EV-charger pole mount  
NEXT GREEN POLEBOX COMPACT CEILING

## Model

E-No	Product name
27 004 54	Charging box mount Polebox Compact Ceiling



Sample image. Assembly with EV-charging box Easee.

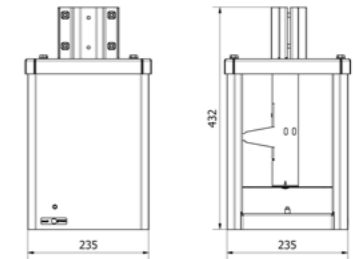
## Technical specifications

Material	Steel, High-strength steel, Magnelis®
Color	Graphite grey
<b>Dimensions</b>	
Weight	8 kg
Height	432 mm
Width	235 mm
Depth	235 mm
<b>Dimensions (packaging)</b>	
Weight	8,1 kg
Height	455 mm
Width	455 mm
Depth	250 mm

Next Green Polebox Compact Ceiling is a pole mount for the smaller sized EV-charging boxes, intended for suspended mounting on Ø 60 mm tube or pole. For example, parking garages. Polebox Compact Roof enables installation of charging boxes without pillars or walls and works great together with Next Green Tak and floor bracket HD60 (E no: 27 001 76) and a pole tube 60 mm in appropriate length. The product is intended for feeding electrical cables inside the pole tube. Polebox Compact has a built-in distribution terminal for up to 2 x 5G25 mm<sup>2</sup> power cable for extending the connection to the next charging post. From the distribution terminal in the Polebox, the respective charging box is then

## FEATURES POLEBOX COMPACT CEILING

- Laser precut mounting plates for selected EV-chargers. The mounting plates are ordered on a separate E-number. See list below
- For mounting two chargers back-to-back
- For mounting on Ø 60 mm steel tubes
- Most of the installation can be prepared indoors
- Robust steel construction
- Distribution block (1.5mm<sup>2</sup> – 25mm<sup>2</sup>)
- Prepared for mounting up to two RCCB/RCBO, 3G / 4G router
- Powder coated, available in various colors. Contact Next Green for more information.



## MOUNTING PLATES ARE AVAILABLE FOR THE FOLLOWING EV-CHARGERS:

• Coverplate Blank	E-No: 27 004 50
• Charge Amps Halo	E-No: 27 004 13
• Easee	E-No: 27 004 51
• Wallbox Pulsar Max	E-No: 27 004 52
• Wallbox Copper SB	E-No: 27 004 53
• Zaptec Go	E-No: 27 004 58
• Wallbox Commander	E-No: 27 004 59

Mounting plates are ordered separately on above order numbers. Two mounting plates are needed.

connected using a 5G2.5 mm<sup>2</sup> rubber cable. Polebox comes with a DIN rail to suit up to two residual current circuit breakers can be fitted with an additional DIN rail for units such as a Wi-Fi-router or a 3G/4G modem or power supply. Everything fits neatly inside the box. Polebox is made of steel steel and powder coated to provide the highest quality. Polebox Compact is supplemented with two mounting plates. See table of mounting plates above. One mounting plate per side is required. Polebox is very easy to install. It can be prepared indoor by mounting charging boxes and unplugging the wiring from the dispersion terminal. Polebox is then put in place outside on the existing steel tube and the charger hood is lifted and fastened. This provides easy to access for screwing supply wires into the plinth. The hood with the EV charger(s) is lifted and hooked up. It is then easy to access to screw the supply cables into the terminal.

# Polebox 190 S

Mounting and installation products  
EV-charger pole mount  
NEXT GREEN POLEBOX 190 S

## Model

E-No	Product name
24 803 57	Charging box mount Polebox 190 S
S-No	
35 063 01	



## Technical specifications

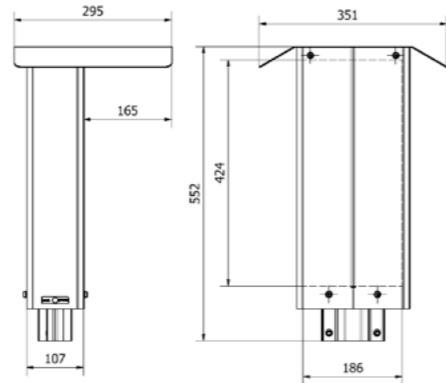
<b>Material</b>	Steel, High-strength steel, Magnelis®
<b>Color</b>	Graphite grey
<b>Dimensions</b>	9 kg
Weight	552 mm
Height	351 mm
Width	295 mm
Depth	190 mm
Mounting surface	
<b>Dimensions (packaging)</b>	9 kg
Weight	575 mm
Height	310 mm
Width	180 mm
Depth	

Next Green Polebox 190 S is a tube or pole mount for EV-charging boxes for mounting on a 60 mm steel tube or pole. Polebox makes it easy, for example when changing from engine heater location to charging location and can therefore be used to replace an engine heater hood. The product is intended for feeding electrical cables inside the tube or pole.

Polebox has a built-in distribution terminal for up to 2 x 5G25 mm<sup>2</sup> power cable for extending the connection to the next charging post. From the distribution terminal in the Polebox, the respective charging box is then connected using a 5G2.5 mm<sup>2</sup>

## POLEBOX 190 S FEATURES

- For mounting on Ø 60 mm steel tubes
- Most of the installation can be prepared indoors
- Robust steel construction
- Distribution block has support for 1.5 mm<sup>2</sup> – 25 mm<sup>2</sup> cable, Al and Cu
- Prepared for mounting an RCCB/RCBO, 3G / 4G router
- Powder coated, available in various colors. Contact Next Green for more information.



rubber cable. Polebox comes with a DIN rail to mount RCCB/RCBO and can be equipped with an additional DIN rail for units such as a Wi-Fi-router or a 3G/4G modem or power supply. Everything fits neatly inside the box. Polebox is made of Swedish steel and powder coated to provide the highest quality.

Polebox is made to fit many different charger models. Mounting holes for each charger are drilled upon installation. Polebox is very easy to install. It is prepared indoors by mounting the EV-chargers and installing the wiring from the distribution terminal. Polebox is then put in place outside on the existing steel tube and the charger hood is lifted and fastened. This provides easy access for screwing supply wires into the distribution terminal. Suitable for EV-charging boxes with a maximum hole pattern width of 190 mm and 430 mm height.

## SELECTION OF COMPATIBLE EV-CHARGERS

- ABB Terra AC
- Charge Amps Halo
- CTEK Njord Go
- DEFA Power
- Easee
- Elinta Homebox Slim
- Garo Entity Compact
- Garo GLB
- go-e
- Phasebox One
- Wallbox Pulsar Max
- Wallbox Copper SB
- Zaptec Go

# Polebox 205 D2

Mounting and installation products  
EV-charger pole mount  
NEXT GREEN POLEBOX 205 D2

## Model

E-No	Product name
24 804 40	Charging box mount Polebox 205 D2
S-No	
35 063 03	



## Technical specifications

<b>Material</b>	Steel, High-strength steel, Magnelis®
<b>Color</b>	Graphite grey
<b>Dimensions</b>	
Weight	11 kg
Height	552 mm
Width	362 mm
Depth	470 mm
Mounting surface	203 mm
<b>Dimensions (packaging)</b>	
Weight	11 kg
Height	570 mm
Width	390 mm
Depth	205 mm

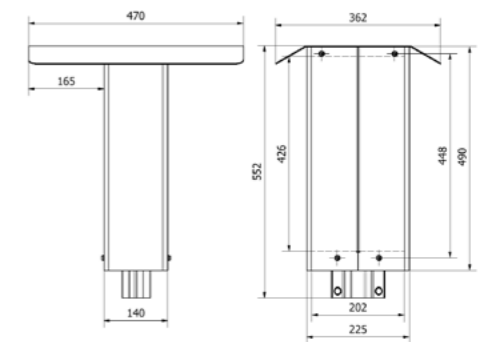
Next Green Polebox 205 D2 is a tube or pole mount for EV-charging boxes for mounting on a 60 mm steel tube or pole. Polebox makes it easy, for example when changing from engine heater location to charging location and can therefore be used to replace an engine heater hood. The product is intended for feeding electrical cables inside the tube or pole.

Polebox has a built-in distribution terminal for up to 2 x 5G25 mm<sup>2</sup> power cable for extending the connection to the next charging post. From the distribution terminal in the Polebox, the respective charging box is then connected using a 5G2.5 mm<sup>2</sup> rubber cable.

Polebox comes with a DIN rail to mount RCCB/RCBO and can

## POLEBOX 205 D2 FEATURES

- For mounting two chargers back-to-back
- For mounting on Ø 60 mm steel tubes
- Most of the installation can be prepared indoors
- Robust steel construction
- Distribution block (1.5mm<sup>2</sup> – 25mm<sup>2</sup>)
- Prepared for mounting up to two RCCB/RCBO, 3G / 4G router
- Powder coated, available in various colors. Contact Next Green for more information.



be equipped with an additional DIN rail for units such as a Wi-Fi-router or a 3G/4G modem or power supply. Everything fits neatly inside the box. Polebox is made of Swedish steel and powder coated to provide the highest quality. Polebox is made to fit many different charger models. Mounting holes for each charger are drilled upon installation.

Polebox is very easy to install. It is prepared indoors by mounting the EV-chargers and installing the wiring from the distribution terminal. Polebox is then put in place outside on the existing steel tube and the charger hood is lifted and fastened. This provides easy access for screwing supply wires into the distribution terminal. Suitable for charging boxes with a maximum hole pattern width of 203 mm and 430 mm height.

## SELECTION OF COMPATIBLE EV-CHARGERS

- ABB Terra AC
- Alfen Eve Single
- AUTEL MaxiCharger AC
- Charge Amps Dawn
- Charge Amps Halo
- Compleo eBOX smart
- CTEK Njord Go
- DEFA Power
- Easee
- Elinta Homebox Slim
- Garo Entity Compact
- Garo GLB
- go-e
- Phasebox One
- Wallbox Pulsar Max
- Wallbox Copper SB
- Zaptec Go

# Polebox 270 S

Mounting and installation products  
EV-charger pole mount  
NEXT GREEN POLEBOX 270 S

## Model

<b>E-No</b>	<b>Product name</b>
24 803 65	Charging box mount
<b>S-No</b>	<b>Polebox 270 S</b>
35 063 07	



## Technical specifications

<b>Material</b>	Steel, High-strength steel, Magnelis®
<b>Color</b>	Graphite grey
<b>Dimensions</b>	
Weight	10 kg
Height	552 mm
Width	432 mm
Depth	295 mm
Mounting surface	270 mm
<b>Dimensions (packaging)</b>	
Weight	10 kg
Height	570 mm
Width	390 mm
Depth	205 mm

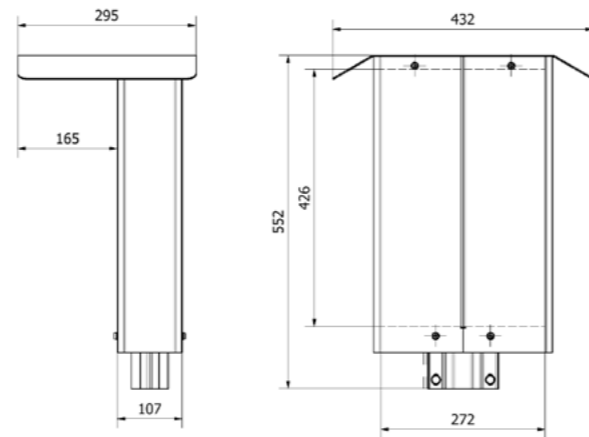
Next Green Polebox 270 S is a tube or pole mount for EV-charging boxes for mounting on a 60 mm steel tube or pole. Polebox makes it easy, for example when changing from engine heater location to charging location and can therefore be used to replace an engine heater hood. The product is intended for feeding electrical cables inside the tube or pole.

Polebox has a built-in distribution terminal for up to 2 x 5G25 mm<sup>2</sup> power cable for extending the connection to the next charging post. From the distribution terminal in the Polebox, the respective charging box is then connected using a 5G2.5 mm<sup>2</sup> rubber cable.

Polebox comes with a DIN rail to mount RCCB/RCBO and can be equipped with an additional DIN rail for units such as a Wi-Fi-

## POLEBOX 270 S FEATURES

- For mounting on Ø 60 mm steel tubes
- Most of the installation can be prepared indoors
- Robust steel construction
- Distribution block has support for 1.5 mm<sup>2</sup> – 25 mm<sup>2</sup> cable, Al and Cu
- Prepared for mounting an RCCB/RCBO, 3G / 4G router
- Powder coated, available in various colors. Contact Next Green for more information.



## SELECTION OF COMPATIBLE EV-CHARGERS

- Alfen Eve Single
- Charge Amps Dawn
- Compleo eBOX smart
- DEFA eRange IQ
- Elinta Homebox
- Elinta Homebox Slim
- Garo Entity PRO
- Norwesco Refuel
- Schneider Evlink Home
- Zaptec Pro

router or a 3G/4G modem or power supply. Everything fits neatly inside the box. Polebox is made of Swedish steel and powder coated to provide the highest quality.

Polebox is made to fit many different charger models. Mounting holes for each charger are drilled upon installation.

Polebox is very easy to install. It is prepared indoors by mounting the EV-chargers and installing the wiring from the distribution terminal. Polebox is then put in place outside on the existing steel tube and the charger hood is lifted and fastened. This provides easy to access for screwing supply wires into the distribution terminal.

Suitable for charging boxes with a maximum hole pattern width of 270 mm and 430 mm height.

# Polebox 270 D

Mounting and installation products  
EV-charger pole mount  
NEXT GREEN POLEBOX 270 D

## Model

<b>E-No</b>	<b>Product name</b>
27 000 70	Charging box mount
<b>S-No</b>	<b>Polebox 270 D</b>
35 063 08	



## Technical specifications

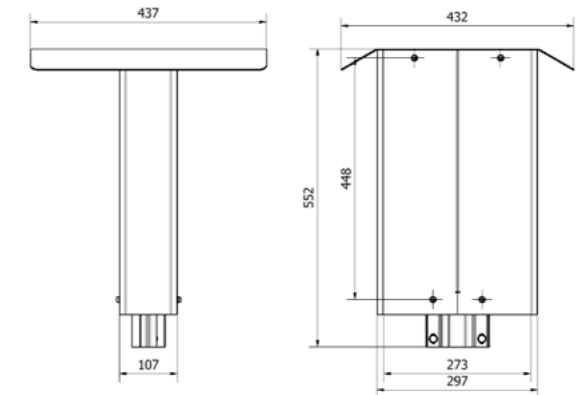
<b>Material</b>	Steel, High-strength steel, Magnelis®
<b>Color</b>	Graphite grey
<b>Dimensions</b>	
Weight	10 kg
Height	552 mm
Width	432 mm
Depth	437 mm
Mounting surface	270 mm
<b>Dimensions (packaging)</b>	
Weight	10 kg
Height	595 mm
Width	410 mm
Depth	210 mm

Next Green Polebox 270 D is a tube or pole mount for EV-charging boxes for mounting on a 60 mm steel tube or pole. Polebox makes it easy, for example when changing from engine heater location to charging location and can therefore be used to replace an engine heater hood. The product is intended for feeding electrical cables inside the tube or pole.

Polebox has a built-in distribution terminal for up to 2 x 5G25 mm<sup>2</sup> power cable for extending the connection to the next charging post. From the distribution terminal in the Polebox, the respective charging box is then connected using a 5G2.5 mm<sup>2</sup> rubber cable.

## POLEBOX 270 D FEATURES

- For mounting on Ø 60 mm steel tubes
- Most of the installation can be prepared indoors
- Robust steel construction
- Distribution block has support for 1.5 mm<sup>2</sup> – 25 mm<sup>2</sup> cable, Al and Cu
- Prepared for mounting an RCCB/RCBO, 3G / 4G router
- Powder coated, available in various colors. Contact Next Green for more information.



## SELECTION OF COMPATIBLE EV-CHARGERS

- Alfen Eve Single
- Charge Amps Dawn
- Compleo eBOX smart
- DEFA eRange IQ
- Elinta Homebox
- Elinta Homebox Slim
- Garo Entity PRO
- Norwesco Refuel
- Schneider Evlink Home
- Zaptec Pro

Polebox comes with a DIN rail to mount RCCB/RCBO and can be equipped with an additional DIN rail for units such as a Wi-Fi-router or a 3G/4G modem or power supply. Everything fits neatly inside the box.

Polebox is made of Swedish steel and powder coated to provide the highest quality.

Polebox is made to fit many different charger models. Mounting holes for each charger are drilled upon installation.

Polebox is very easy to install. It is prepared indoors by mounting the EV-chargers and installing the wiring from the distribution terminal. Polebox is then put in place outside on the existing steel tube and the charger hood is lifted and fastened. This provides easy to access for screwing supply wires into the distribution terminal.

Suitable for charging boxes with a maximum hole pattern width of 270 mm and 430 mm height.



# Polebox 330 S

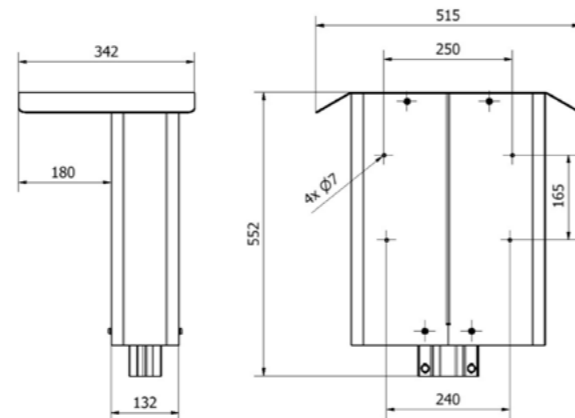
Mounting and installation products  
EV-charger pole mount  
NEXT GREEN POLEBOX 330 S

## Model

E-No	Product name
24 803 66	Charging box holder
S-No	Polebox 330 S
35 063 30	

## POLEBOX 330 S FEATURES

- Lasercut hole pattern for Charge Amps Aura
- For mounting on Ø 60 mm steel tubes
- Most of the installation can be prepared indoors
- Robust steel construction
- Distribution block has support for 1.5 mm<sup>2</sup> – 25 mm<sup>2</sup> cable, Al and Cu
- Prepared for mounting an RCCB/RCBO, 3G / 4G router
- Powder coated, available in various colors. Contact Next Green for more information



## Technical specifications

Material	Steel, High-strength steel, Magnelis®
Color	Graphite grey

Dimensions	
Weight	12 kg
Height	552 mm
Width	515 mm
Depth	342 mm
Mounting surface	330 mm

Dimensions (packaging)	
Weight	12 kg
Height	570 mm
Width	390 mm
Depth	210 mm

**Next Green Polebox 330 S** is a tube or pole mount for EV-charging boxes for mounting on a 60 mm steel tube or pole. Polebox makes it easy, for example when changing from engine heater location to charging location and can therefore be used to replace an engine heater hood. The product is intended for feeding electrical cables inside the tube or pole.

Polebox has a built-in distribution terminal for up to 2 x 5G25 mm<sup>2</sup> power cable for extending the connection to the

next charging post. From the distribution terminal in the Polebox, the respective charging box is then connected using a 5G2.5 mm<sup>2</sup> rubber cable.

Polebox comes with a DIN rail to mount RCCB/RCBO and can be equipped with an additional DIN rail for units such as a Wi-Fi-router or a 3G/4G modem or power supply. Everything fits neatly inside the box. Polebox is made of Swedish steel and powder coated to provide the highest quality. Polebox is made to fit many different charger models. Mounting holes for each charger are drilled upon installation. Polebox is very easy to install. It is prepared indoors by mounting the EV-chargers and installing the wiring from the distribution terminal. Polebox is then put in place outside on the existing steel tube and the charger hood is lifted and fastened. This provides easy access for screwing supply wires into the distribution terminal.

Polebox 330 has a pre-cut hole pattern to suit **Charge Amps Aura**.

### SELECTION OF COMPATIBLE EV-CHARGERS

- Charge Amps Aura

# Polebox 330 D

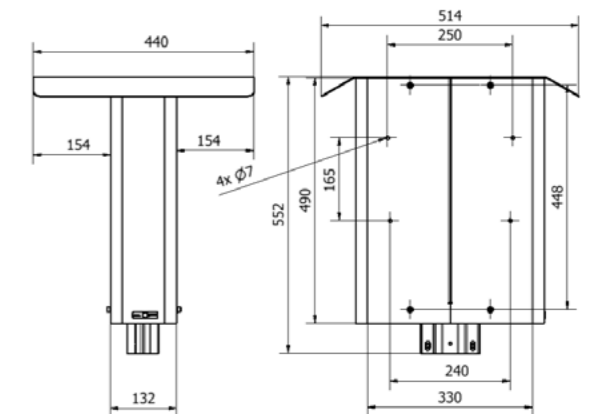
Mounting and installation products  
EV-charger pole mount  
NEXT GREEN POLEBOX 330 D

## Model

E-No	Product name
27 002 50	Charging box holder
S-No	Polebox 330 D
35 063 31	

## POLEBOX 330 D FEATURES

- Lasercut hole pattern for Charge Amps Aura
- Designed to suit two EV-chargers back-to-back
- For mounting on Ø 60 mm steel tubes
- Most of the installation can be prepared indoors
- Robust steel construction
- Distribution block has support for 1.5 mm<sup>2</sup> – 25 mm<sup>2</sup> cable, Al and Cu
- Prepared for mounting an RCCB/RCBO, 3G / 4G router
- Powder coated, available in various colors. Contact Next Green for more information



## Technical specifications

Material	Steel, High-strength steel, Magnelis®
Color	Graphite grey

Dimensions	
Weight	12,1 kg
Height	552 mm
Width	514 mm
Depth	492 mm
Mounting surface	330 mm

Dimensions (packaging)	
Weight	12,5 kg
Height	600 mm
Width	460 mm
Depth	220 mm

**Next Green Polebox 330 D** is a tube or pole mount for EV-charging boxes for mounting on a 60 mm steel tube or pole. Polebox makes it easy, for example when changing from engine heater location to charging location and can therefore be used to replace an engine heater hood. The product is intended for feeding electrical cables inside the tube or pole.

Polebox has a built-in distribution terminal for up to 2 x 5G25 mm<sup>2</sup> power cable for extending the connection to the

next charging post. From the distribution terminal in the Polebox, the respective charging box is then connected using a 5G2.5 mm<sup>2</sup> rubber cable.

Polebox comes with a DIN rail to mount RCCB/RCBO and can be equipped with an additional DIN rail for units such as a Wi-Fi-router or a 3G/4G modem or power supply. Everything fits neatly inside the box. Polebox is made of Swedish steel and powder coated to provide the highest quality. Polebox is made to fit many different charger models. Mounting holes for each charger are drilled upon installation. Polebox is very easy to install. It is prepared indoors by mounting the EV-chargers and installing the wiring from the distribution terminal. Polebox is then put in place outside on the existing steel tube and the charger hood is lifted and fastened. This provides easy access for screwing supply wires into the distribution terminal.

Polebox 330 has a pre-cut hole pattern to suit **Charge Amps Aura**.

### SELECTION OF COMPATIBLE EV-CHARGERS

- Charge Amps Aura

# Polebox 320 D

Mounting and installation products  
EV-charger pole mount  
NEXT GREEN POLEBOX 320 D

## Model

<b>E-No</b>	<b>Product name</b>
27 004 91	Charging box mount
<b>S-No</b>	<b>Polebox 320 D</b>
35 063 27	



## Technical specifications

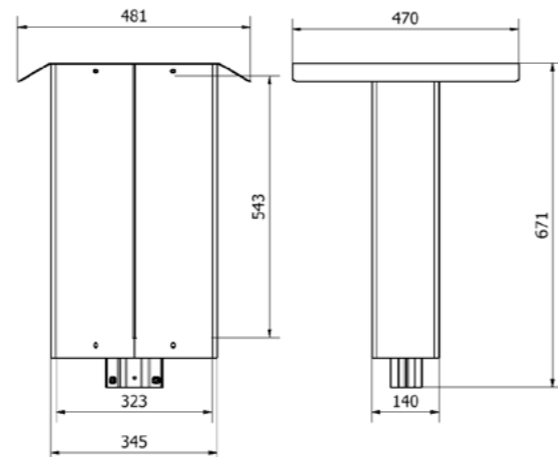
<b>Material</b>	Steel, High-strength steel, Magnelis®
<b>Color</b>	Graphite grey
<b>Dimensions</b>	
Weight	12,8 kg
Height	671 mm
Width	481 mm
Depth	470 mm
Mounting surface	320 mm
<b>Dimensions (packaging)</b>	
Weight	13 kg
Height	688 mm
Width	490 mm
Depth	215 mm

**Next Green Polebox 320 D** is a tube or pole mount for EV-charging boxes for mounting on a 60 mm steel tube or pole. Polebox makes it easy, for example when changing from engine heater location to charging location and can therefore be used to replace an engine heater hood. The product is intended for feeding electrical cables inside the tube or pole.

Polebox has a built-in distribution terminal for up to 2 x 5G25 mm<sup>2</sup> power cable for extending the connection to the next charging post. From the distribution terminal in the Polebox,

## POLEBOX 320 D FEATURES

- For mounting on Ø 60 mm steel tubes
- Most of the installation can be prepared indoors
- Robust steel construction
- Distribution block has support for 1.5 mm<sup>2</sup> – 25 mm<sup>2</sup> cable, Al and Cu
- Prepared for mounting an RCCB/RCBO, 3G / 4G router
- Powder coated, available in various colors. Contact Next Green for more information.



the respective charging box is then connected using a 5G2.5 mm<sup>2</sup> rubber cable.

Polebox comes with a DIN rail to mount RCCB/RCBO and can be equipped with an additional DIN rail for units such as a Wi-Fi-router or a 3G/4G modem or power supply. Everything fits neatly inside the box. Polebox is made of Swedish steel and powder coated to provide the highest quality. Polebox is made to fit many different charger models. Mounting holes for each charger are drilled upon installation. Polebox is very easy to install. It is prepared indoors by mounting the EV-chargers and installing the wiring from the distribution terminal. Polebox is then put in place outside on the existing steel tube and the charger hood is lifted and fastened. This provides easy access for screwing supply wires into the distribution terminal. Suitable for larger charging boxes with a maximum hole pattern width of 320 mm and 540 mm height.

### SELECTION OF COMPATIBLE EV-CHARGERS

- CTEK Chargestorm
- Hager Witty
- Keba P30 11/22kW
- Schneider Evlink Pro AC

# Polebox 205 ES & ED

Mounting and installation products  
EV-charger pole mount  
NEXT GREEN POLEBOX 205 ES  
NEXT GREEN POLEBOX 205 ED

## Model

<b>E-No</b>	<b>S-No</b>	<b>Product name</b>
24 803 64	35 063 09	Charging box holder Polebox 205 ES
27 001 77	35 063 10	Charging box holder Polebox 205 ED



PoleBox 205 ES

Polebox 205 ED with two Ensto One EV-chargers back-to-back.

## Technical specifications

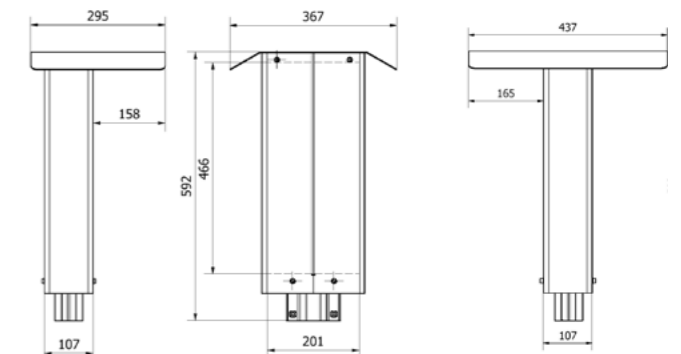
Model	Polebox 205 ES	Polebox 205 ED
<b>Material</b>	Steel, High-strength steel, Magnelis®	Steel, High-strength steel, Magnelis®
<b>Color</b>	Graphite grey	Graphite grey
<b>Dimensions</b>		
Weight	9 kg	9 kg
Height	592 mm	592 mm
Width	367 mm	367 mm
Depth	295 mm	437 mm
Mounting surface	205 mm	205 mm
<b>Dimensions (packaging)</b>		
Weight	9 kg	9 kg
Height	600 mm	600 mm
Width	400 mm	400 mm
Depth	300 mm	450 mm

**Next Green Polebox 205 ES & ED** is a tube or pole mount for EV-charging boxes for mounting on a 60 mm steel tube or pole. Polebox makes it easy, for example when changing from engine heater location to charging location and can therefore be used to replace an engine heater hood. The product is intended for feeding electrical cables inside the tube or pole.

Polebox has a built-in distribution terminal for up to 2 x 5G25 mm<sup>2</sup> power cable for extending the connection to the next charging post. From the distribution terminal in the Polebox,

## POLEBOX 205 ES & ED FEATURES

- Polebox 205 ES is designed to suit one Ensto One EV-charger
- Polebox 205 ED is designed to suit two Ensto One EV-chargers back-to-back
- For mounting on Ø 60 mm steel tubes
- Most of the installation can be prepared indoors
- Robust steel construction
- Distribution block has support for 1.5 mm<sup>2</sup> – 25 mm<sup>2</sup> cable, Al and Cu
- Prepared for mounting an RCCB/RCBO, 3G / 4G router
- Powder coated, available in various colors. Contact Next Green for more information.



PoleBox 205 ES

PoleBox 205 ED

the respective charging box is then connected using a 5G2.5 mm<sup>2</sup> rubber cable.

Polebox comes with a DIN rail to mount RCCB/RCBO and can be equipped with an additional DIN rail for units such as a Wi-Fi-router or a 3G/4G modem or power supply. Everything fits neatly inside the box. Polebox is made of Swedish steel and powder coated to provide the highest quality. Polebox is made to fit many different charger models. Mounting holes for each charger are drilled upon installation. Polebox is very easy to install. It is prepared indoors by mounting the EV-chargers and installing the wiring from the distribution terminal. Polebox is then put in place outside on the existing steel tube and the charger hood is lifted and fastened. This provides easy access for screwing supply wires into the distribution terminal.

### SELECTION OF COMPATIBLE EV-CHARGERS

- Ensto One



# Next Green - Made in Sweden

**Better quality, more efficient product development,** shorter lead times, and faster delivery times. We feel proud to say that not only are our products **Designed in Sweden** but also **Made in Sweden**, which adds both quality and value. The benefits of Swedish production are many.



Thanks to our team of skilled designers, we are able to quickly design new robust products for quick and easy installation to meet the high demands of both service technicians and property owners. **We design and develop all our products in-house** and all manufacturing is being made in Sweden.



# Not only are our products Designed in Sweden but also Made in Sweden



# Which charging box fits which Next Green product?



NEXT GREEN PRODUCTS	WALLPLATE 250	WALLPLATE 320	NEXT POLE Pedestal	POLEBOX Compact	POLEBOX Compact Ceiling	POLEBOX 180 S	POLEBOX 205 D2	POLEBOX 270 S	POLEBOX 270 D	POLEBOX 330 S	POLEBOX 330 D	POLEBOX 320 D	POLEBOX 205 ES	POLEBOX 205 ED	POLEPLATE 150 P	POLEPLATE 160 E	POLEPLATE 165	POLEPLATE 200 A	POLEPLATE 225 Z	POLEPLATE 300 Ceiling	POLEPLATE 300 Ceiling Double	POLEPLATE 330	POLEPLATE 380 D	POLEPLATE 470 E	Pedestal Dynamic	Collision protection pole 108-750	
	NEXT GREEN PRODUCTS																										
<b>EV-CHARGERS</b>																											
ABB Terra AC																											
Alfen Eve Single																											
Alfen Eve Double																											
Autel MaxiCharger AC																											
Charge Amps Aura																											
Charge Amps Dawn																											
Charge Amps Halo																											
Compleo eBOX smart																											
CTEK Njord Go																											
CTEK Chargestorm																											
DEFA eRange IQ																											
DEFA eRange Duo																											
DEFA Power																											
Easee																											
Ensto One																											
Ensto Wallbox																											
Elinta Homebox																											
Elinta Homebox Slim																											
Garo Entity Compact																											
Garo Entity PRO																											
Garo GLB																											
Garo Twin																											
go-e																											
Hager Witty																											
Keba P30 11/22kW																											
Norwesco Refuel																											
Phasebox One																											
Schneider Evlink Home																											
Schneider EVlink Pro AC																											
Wallbox Commander																											
Wallbox Copper																											
Wallbox Pulsar Max																											
Waybler Dynamic																											
Zaptec Go																											
Zaptec Pro																											
<b>NEXT GREEN ACCESSORIES</b>																											
Daytona T2																											
Foundation GP60																											
Foundation GP180																											
Pole mount beam and facade 60-108																											
Steel tube bracket plank and facade 60-540																											
Ceiling and floor mount HD 60																											
Steel tube Ø 60mm																											
Charging box pole stepped 108-60																											
Ground mount GP60 - 160 Combo																											
Ground mount GP108 - 160 Combo																											
Angle mount 60																											



EV-charging box mount **Polebox Compact** + Ø 60 mm steel tube + **Bracket set** for Ø 60 mm steel tube



EV-charging box mount **Polebox 270 S** + Ø 60 mm steel tube



EV-charging box mount **Wallplate 320**



**Steel tube bracket plank and facade** 60-540



**Pole mount beam and facade** 60-108 + Ø 60 mm steel tube



EV-charging box mount **Poleplate 225 Z** + **Angle mount 60**

# Solutions for everyday EV-installation challenges



**Ground mount GP60 - 160 Combo** + **Foundation GP60**



EV-chargingbox mount **Next Pole Pedestal** + **Ground mount GP60 - 160 Combo** + **Foundation GP60**



EV-charging box mount **Next Pole Pedestal** + **Cable holder Daytona T2**



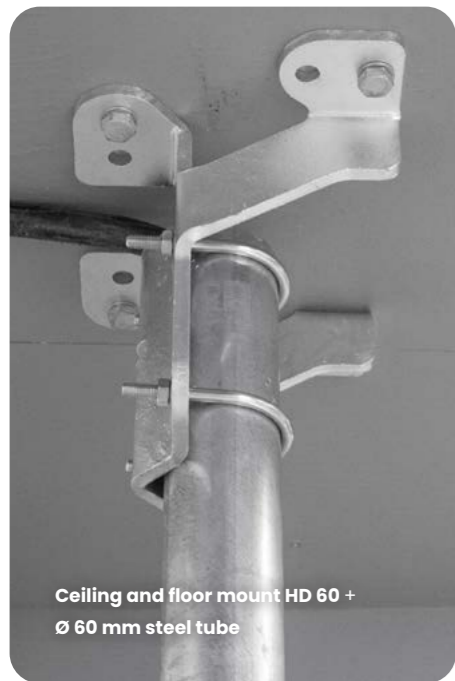
EV-charging box mount **Wallplate 250** + **Cable holder Daytona T2**

**At Next Green we value our cooperation with electricians highly.** Thanks to this cooperation, our solutions come from the field – the reality. Often a wish arises for one product that does not exist or that can be improved and just like that many of our products have not only come to the drawing board but also seen the reality.

We continuously work on product development using valuable input from our customers. We welcome customer ideas and are easy to get in touch with. We develop our products in-house and always aim to make them as user friendly and cost effective as possible. Manufacturing is done exclusively in Sweden and the completed products are shipped from us in Mora in Sweden.

**Our mounting and installation products** have been developed and designed in cooperation with electricians.

**Do you want to know more?** Don't hesitate to contact us!



Ceiling and floor mount HD 60 + Ø 60 mm steel tube



Ceiling and floor mount HD 60 + Ø 60 mm steel tube + EV-charging box mount Poleplate Ceiling 300



EV-charging box mount Poleplate Tak 300 + Ø 60 mm steel tube

EV-charging box mount Polebox 205 D2 + Cable holder Daytona T2 mounted on powder coated Ø 60 mm steel tube floor mounted with Ceiling and floor mount HD 60



Solutions regardless installation challenges.  
**Your challenge, our solution**



Pedestal Dynamic + Clamp kit 80x80 double + Cable holder Daytona T2



Collision protection Pole 108-750

# Poleplate 150 P

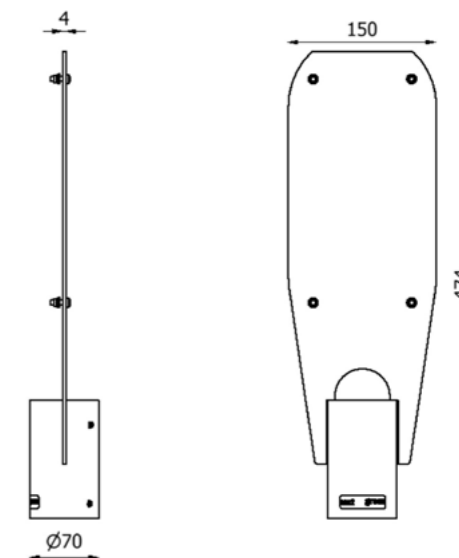
Mounting and installation products  
EV-charger pole mount  
NEXT GREEN POLEPLATE 150 P

## Model

<b>E-No</b>	<b>Product name</b>
27 007 35	Charging box mount
<b>S-No</b>	Poleplate 150 P
35 063 39	

## POLEPLATE 150 P FEATURES

- Precut hole pattern to suit DEFA Power EV-charger
- For mounting on a Ø 60 mm steel tube
- Robust steel construction
- Powder coated, available in various colors. Contact Next Green for more information.



## Technical specifications

<b>Material</b>	Steel, powder coated
<b>Color</b>	Graphite grey
<b>Dimensions</b>	
Weight	2.0 kg
Height	474 mm
Width	150 mm
<b>Dimensions (packaging)</b>	
Weight	2,0 kg
Height	590 mm
Width	235 mm
Depth	90 mm

Next Green Poleplate 150 P is a EV-charger mount for installation on a Ø 60 mm tube or pole. Poleplate is made of Swedish steel and powder coated to provide the highest durability and quality. Poleplate enables easy mounting of a charging box to a steel tube or pole.

Poleplate is manufactured in Sweden for the Nordic climate. It

## SELECTION OF COMPATIBLE EV-CHARGERS

- DEFA Power



Sample image. Assembly with EV-charging box DEFA Power.

has a powder-coated design to withstand wind and weather. The Poleplate charging box holder is a cost-effective pole mount.

Poleplate 150 P facilitates changing an engine heater station to a charging station and can be used to replace an engine heater central.

# Poleplate 160 E

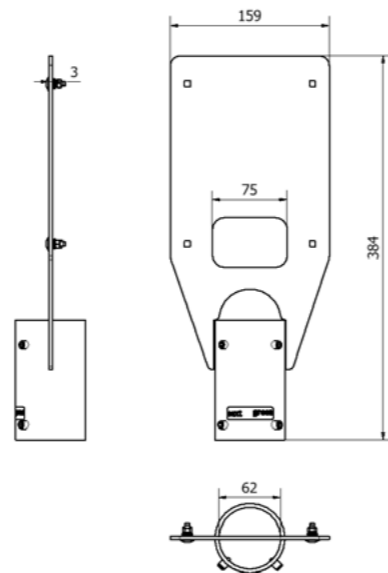
Mounting and installation products  
EV-charger pole mount  
NEXT GREEN POLEPLATE 160 E

## Model

<b>E-No</b> 27 000 68	<b>Product name</b> Charging box mount Poleplate 160 E
--------------------------	--

## POLEPLATE 160 E FEATURES

- Precut hole pattern to suit Easee EV-charger
- For mounting on a Ø 60 mm steel tube
- Robust steel construction
- Powder coated, available in various colors. Contact Next Green for more information.



## Technical specifications

<b>Material</b>	Steel, powder coated
<b>Color</b>	Black - RAL9005
<b>Dimensions</b>	
Weight	1,7 kg
Height	384 mm
Width	159 mm
<b>Dimensions (packaging)</b>	
Weight	2,0 kg
Height	590 mm
Width	235 mm
Depth	90 mm

Next Green Poleplate 160 E is a EV-charger mount for installation on a Ø 60 mm tube or pole. Poleplate is made of Swedish steel and powder coated to provide the highest durability and quality. Poleplate enables easy mounting of a charging box to a steel tube or pole.

Poleplate is manufactured in Sweden for the Nordic climate. It

## SELECTION OF COMPATIBLE EV-CHARGERS

- Easee



Sample image. Assembly with EV-charging box Easee.

has a powder-coated design to withstand wind and weather. The Poleplate charging box holder is a cost-effective pole mount. Poleplate 160 E facilitates changing an engine heater station to a charging station and can be used to replace an engine heater central.

# Poleplate 165

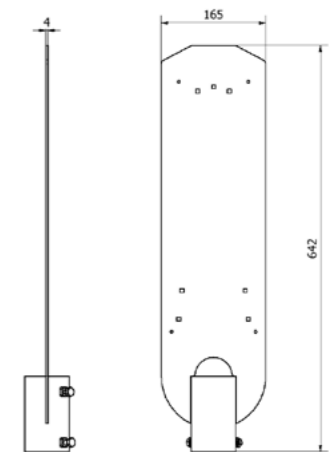
Mounting and installation products  
EV-charger pole mount  
NEXT GREEN POLEPLATE 165

## Model

<b>E-No</b> 27 000 19	<b>Product name</b> Charging box mount Poleplate 165
<b>S-No</b> 35 063 06	

## POLEPLATE 165 FEATURES

- Precut hole pattern to suit Garo GLB, Ensto One and Elinta Homebox Slim EV-chargers
- For mounting on a Ø 60 mm steel tube
- Robust steel construction
- Powder coated, available in various colors. Contact Next Green for more information.



## Technical specifications

<b>Material</b>	Steel, powder coated
<b>Color</b>	Graphite grey
<b>Dimensions</b>	
Weight	3,5 kg
Height	642 mm
Width	165 mm
<b>Dimensions (packaging)</b>	
Weight	3,5 kg
Height	650 mm
Width	180 mm
Depth	60 mm

Next Green Poleplate 165 is a EV-charger mount for installation on a Ø 60 mm tube or pole. Poleplate is made of Swedish steel and powder coated to provide the highest durability and quality. Poleplate enables easy mounting of a charging box to a steel tube or pole.

Poleplate is manufactured in Sweden for the Nordic climate. It has a powder-coated design to withstand wind and weather. The

## SELECTION OF COMPATIBLE EV-CHARGERS

- Garo GLB
- Ensto One
- Elinta Homebox Slim



Sample image. Assembly with EV-charging box Ensto One.

Poleplate charging box holder is a cost-effective pole mount.

Poleplate 165 facilitates changing an engine heater station to a charging station and can be used to replace an engine heater central.

# Poleplate 200 A

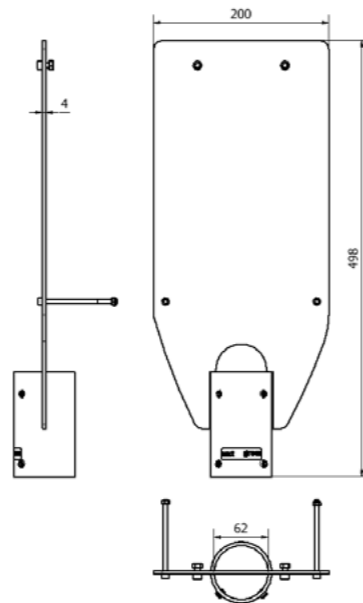
Mounting and installation products  
EV-charger pole mount  
NEXT GREEN POLEPLATE 200 A

## Model

<b>E-No</b>	<b>Product name</b>
27 001 52	Charging box holder
<b>S-No</b>	Poleplate 200 A
35 063 05	

## POLEPLATE 200 A FEATURES

- Precut hole pattern to suit ABB Terra EV-charger
- For mounting on a  $\varnothing$  60 mm steel tube
- Robust steel construction
- Powder coated, available in various colors. Contact Next Green for more information.



## Technical specifications

<b>Material</b>	Steel, Powder coated
<b>Color</b>	Graphite grey
<b>Dimensions</b>	
Weight	2,0 kg
Height	498 mm
Width	200 mm
<b>Dimensions (packaging)</b>	
Weight	2,0 kg
Height	590 mm
Width	235 mm
Depth	90 mm

Next Green Poleplate 200 A is a EV-charger mount for installation on a  $\varnothing$  60 mm tube or pole. Poleplate is made of Swedish steel and powder coated to provide the highest durability and quality. Poleplate enables easy mounting of a charging box to a steel tube or pole.

Poleplate is manufactured in Sweden for the Nordic climate. It

### SELECTION OF COMPATIBLE EV-CHARGERS

- ABB Terra



Sample image. Assembly with EV-charging box ABB Terra.

has a powder-coated design to withstand wind and weather. The Poleplate charging box holder is a cost-effective pole mount. Poleplate 200 A facilitates changing an engine heater station to a charging station and can be used to replace an engine heater central.

# Poleplate 225 Z

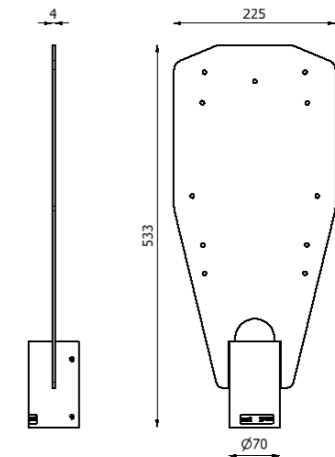
Mounting and installation products  
EV-charger pole mount  
NEXT GREEN POLEPLATE 225 Z

## Model

<b>E-No</b>	<b>Product name</b>
27 002 51	Charging box holder
<b>S-No</b>	Poleplate 225 Z
35 063 12	

## POLEPLATE 225 Z FEATURES

- Precut hole pattern to suit Garo Entity PRO, Zaptec Pro och Zaptec Go For mounting on a  $\varnothing$  60 mm steel tube
- Robust steel construction
- Powder coated, available in various colors. Contact Next Green for more information.



## Technical specifications

<b>Material</b>	Steel, Powder coated
<b>Color</b>	Graphite grey
<b>Dimensions</b>	
Weight	3,5 kg
Height	533 mm
Width	225 mm
<b>Dimensions (packaging)</b>	
Weight	3,5 kg
Height	590 mm
Width	235 mm
Depth	90 mm

Next Green Poleplate 225 Z is a EV-charger mount for installation on a  $\varnothing$  60 mm tube or pole. Poleplate is made of Swedish steel and powder coated to provide the highest durability and quality. Poleplate enables easy mounting of a charging box to a steel tube or pole.

Poleplate is manufactured in Sweden for the Nordic climate. It

### SELECTION OF COMPATIBLE EV-CHARGERS

- Garo Entity PRO
- Zaptec Pro
- Zaptec Go



Sample image. Assembly with EV-charging box Zaptec Go.

has a powder-coated design to withstand wind and weather. The Poleplate charging box holder is a cost-effective pole mount. Poleplate 225 Z facilitates changing an engine heater station to a charging station and can be used to replace an engine heater central.

# Poleplate 300 Ceiling Poleplate 300 Ceiling Double

Mounting and installation products  
EV-charger pole mount  
NEXT GREEN POLEPLATE 300 CEILING  
NEXT GREEN POLEPLATE 300 CEILING DOUBLE

## Model

<b>E-No</b> 27 004 04	<b>Product name</b> Charging box holder
<b>S-No</b> 35 063 15	<b>Product name</b> Poleplate 300 Ceiling
<b>E-No</b> 27 004 62	<b>Product name</b> Charging box holder
<b>S-No</b> 35 063 16	<b>Product name</b> Poleplate 300 Ceiling Double

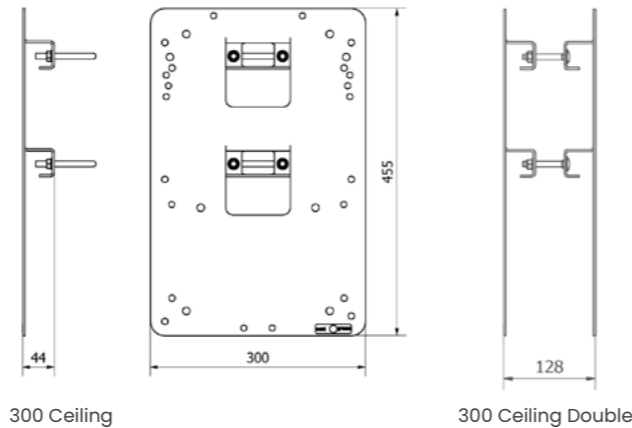
## POLEPLATE 300 CEILING FEATURES

- For ceiling mounting on a Ø 60 mm steeltube
- Poleplate 300 Ceiling Double offers back-to-back ceiling mounting on a Ø 60 mm steeltube
- Robust Magnelis® steel construction
- Lasercut hole pattern for different makes of EV-chargers. See list below.



300 Ceiling

300 Ceiling Double



300 Ceiling

300 Ceiling Double

## Technical specifications

<b>Material</b>	3 mm Magnelis® Steel	
<b>Color</b>	Steel	
<b>Dimensions</b>	<b>300 Ceiling</b>	<b>300 Ceiling Double</b>
<b>Weight</b>	3 kg	7 kg
<b>Height</b>	455 mm	455 mm
<b>Width</b>	300 mm	300 mm
<b>Dimensions (packaging)</b>		
<b>Weight</b>	3,5 kg	7 kg
<b>Height</b>	488 mm	495 mm
<b>Width</b>	301 mm	330 mm
<b>Depth</b>	60 mm	90 mm

Next Green Poleplate 300 Ceiling is a tube or pole mount bracket for EV-charging boxes, intended for ceiling mounting on 60 mm tube or pole. Poleplate is made of steel. Poleplate is designed to easily mount a charging box.

Poleplate is manufactured in Sweden for the Nordic climate. Charging box holder Poleplate is a cost-effective pole mount. Poleplate facilitates, for example, the installation of a charging box in a parking garage hanging from the ceiling.

## SELECTION OF COMPATIBLE EV-CHARGERS

- Alfen Eve Double
- Charge Amps Aura
- CTEK Chargestorm
- DEFA eRange Duo
- Ensto Wallbox
- Garo Entity PRO
- Garo Twin
- Waybler Dynamic
- Zaptec Pro



Sample image. Assembly with EV-charging box CTEK Chargestorm.

## Accessories

Ceiling- and ground mounts for Ø 60 mm steel tubes

**E-No**  
27 001 76  
**Product name**  
Ceiling and floor mount HD 60



For mounting Poleplate 300 Ceiling to a WIBE Vertical Piece

**E-No**  
27 008 10  
**Product name**  
Adapter Poleplate 300 Ceiling-Ceiling Pendant W



# Poleplate 330

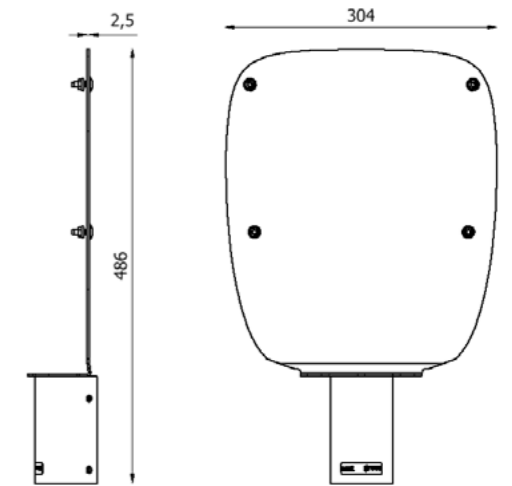
Mounting and installation products  
EV-charger pole mount  
NEXT GREEN POLEPLATE 330

## Model

<b>E-No</b> 27 000 20	<b>Product name</b> Charging box holder
<b>S-No</b> 35 063 17	<b>Product name</b> Poleplate 330

## POLEPLATE 330 FEATURES

- Precut hole pattern to suit Charge Amps Aura EV-charger
- For mounting on a Ø 60 mm steel tube
- Robust steel construction
- Powder coated, available in various colors. Contact Next Green for more information.



## Technical specifications

<b>Material</b>	Steel, Powder coated	
<b>Color</b>	Graphite grey	
<b>Dimensions</b>		
<b>Weight</b>	2,65 kg	
<b>Height</b>	486 mm	
<b>Width</b>	304 mm	
<b>Dimensions (packaging)</b>		
<b>Weight</b>	2,9 kg	
<b>Height</b>	490 mm	
<b>Width</b>	310 mm	
<b>Depth</b>	80 mm	

Next Green Poleplate 330 is a EV-charger mount for installation on a Ø 60 mm tube or pole. Poleplate is made of Swedish steel and powder coated to provide the highest durability and quality. Poleplate enables easy mounting of a charging box to a steel tube or pole.

Poleplate is manufactured in Sweden for the Nordic climate. It

## SELECTION OF COMPATIBLE EV-CHARGERS

- Charge Amps Aura



Sample image. Assembly with EV-charging box Charge Amps Aura.

has a powder-coated design to withstand wind and weather. The Poleplate charging box holder is a cost-effective pole mount. Poleplate 330 facilitates changing an engine heater station to a charging station and can be used to replace an engine heater central.



# Poleplate 380 D

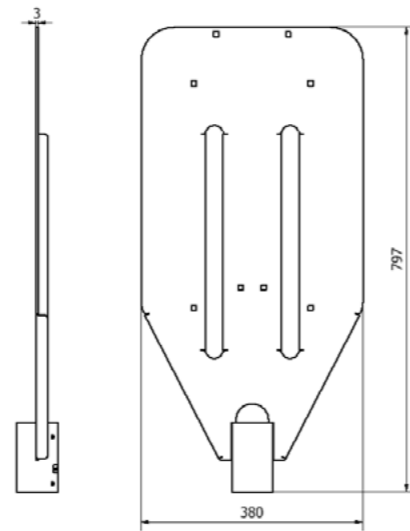
Mounting and installation products  
EV-charger pole mount  
NEXT GREEN POLEPLATE 380 D

## Model

<b>E-No</b> 27 003 03	<b>Product name</b> Charging box holder Poleplate 380 D
--------------------------	---

## POLEPLATE 380 D FEATURES

- Precut hole pattern to suit Alfen Eve Double EV-charger and DEFA eRange Duo
- For mounting on a Ø 60 mm steel tube
- Robust steel construction
- Powder coated, available in various colors. Contact Next Green for more information.



## Technical specifications

<b>Material</b>	Steel, Powder coated
<b>Color</b>	Graphite grey
<b>Dimensions</b>	
Weight	6,5 kg
Height	797 mm
Width	380 mm
<b>Dimensions (packaging)</b>	
Weight	7 kg
Height	800 mm
Width	400 mm
Depth	80 mm

Next Green Poleplate 380 D is a EV-charger mount for installation on a Ø 60 mm tube or pole. Poleplate is made of Swedish steel and powder coated to provide the highest durability and quality. Poleplate enables easy mounting of a charging box to a steel tube or pole.

Poleplate is manufactured in Sweden for the Nordic climate. It



Sample image. Assembly with EV-charging box DEFA eRange Duo.

### SELECTION OF COMPATIBLE EV-CHARGERS

- Alfen Eve Double
- DEFA eRange Duo

has a powder-coated design to withstand wind and weather. The Poleplate charging box holder is a cost-effective pole mount. Poleplate 380 D facilitates changing an engine heater station to a charging station and can be used to replace an engine heater central.

# Poleplate 470 E

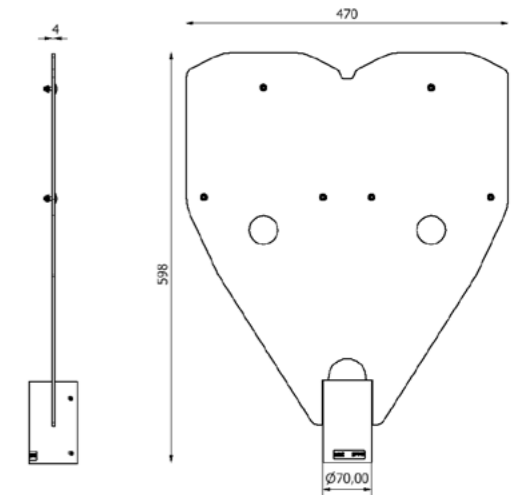
Mounting and installation products  
EV-charger pole mount  
NEXT GREEN POLEPLATE 470 E

## Model

<b>E-No</b> 27 007 36	<b>Product name</b> Charging box holder Poleplate 470 E
--------------------------	---

## POLEPLATE 470 E FEATURES

- Precut hole pattern to suit Garo Entity PRO installation console double
- Supports up to four EV-chargers. Two EV-chargers mounted back-to-back configuration
- For mounting on a Ø 60 mm steel tube
- Robust steel construction
- Powder coated, available in various colors. Contact Next Green for more information.



## Technical specifications

<b>Material</b>	Steel, Powder coated
<b>Color</b>	Graphite grey
<b>Dimensions</b>	
Weight	6 kg
Height	598 mm
Width	470 mm
<b>Dimensions (packaging)</b>	
Weight	6,5 kg
Height	710 mm
Width	540 mm
Depth	80 mm

Next Green Poleplate 470 E is a EV-charger mount for installation on a Ø 60 mm tube or pole. Poleplate is made of Swedish steel and powder coated to provide the highest durability and quality. Poleplate enables easy mounting of a charging box to a steel tube or pole.

Poleplate is manufactured in Sweden for the Nordic climate. It



Sample image. Assembly with EV-charging box Garo Entity PRO installation console double.

### SELECTION OF COMPATIBLE EV-CHARGERS

- Garo Entity PRO installation console double

has a powder-coated design to withstand wind and weather. The Poleplate charging box holder is a cost-effective pole mount. Poleplate 470 E facilitates changing an engine heater station to a charging station and can be used to replace an engine heater central.

# Charging box pole stepped 108-60 without hatch 108-60 with hatch

Mounting and installation products  
NEXT GREEN Charging box pole stepped  
108-60 without hatch  
108-60 with hatch

## Model

<b>E-No</b> 27 000 22	<b>Product name</b> Next Green charging box pole Stepped 108 – 60 without hatch
<b>E-No</b> 27 003 93	<b>Product name</b> Next Green charging box pole Stepped 108 – 60 with hatch
<b>S-No</b> 35 063 35	

## CHARGING BOX POLE STEPPED FEATURES

- Allows extra powerful and stable mounting of charging boxes
- With hatch for easier cable management
- Insert in Ø 108 mm foundation
- Ø 60 mm top tube
- Hot dip galvanized
- Can be provided powder coated in any color. Contact Next Green for more information.

# Steel tubes Ø 60 mm

Mounting and installation products  
Tubes & Poles  
NEXT GREEN Steel tubes Ø 60 mm

## Model

<b>E-No /item number</b>	<b>Product name</b>
27 003 76	Steel tube 500 mm
27 003 75	Steel tube 750 mm
27 003 74	Steel tube 1000 mm
27 001 81	Steel tube 1200 mm
27 000 28	Steel tube 1500 mm
27 005 66	Steel tube 1500 mm PC
24190021	Steel tube 2500 mm
24190022	Steel tube 2850 mm

## FEATURES

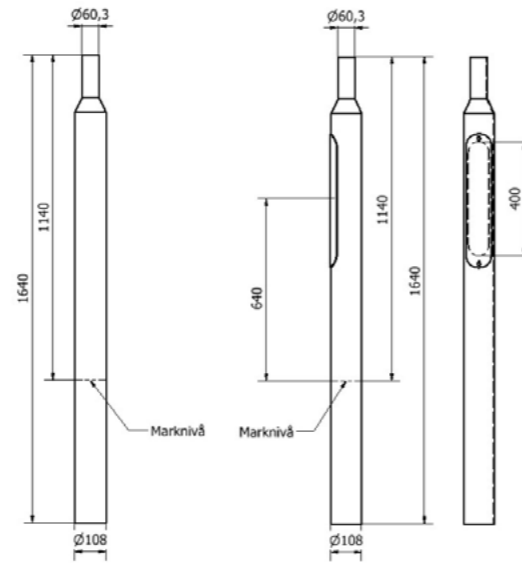
- Allows stable installation of Next
- Green charging box holder
- Ø 60 mm tube
- Hot dip galvanized
- Steel tube 1500 mm PC is powder coated graphite gray in the same color as Next Green's other products



Without hatch

With hatch

Sample image



Without hatch

With hatch

## Technical specifications

**Material** Galvanized steel – SS-EN ISO 1461  
**Form** Stepped  
**Color** Galvanized  
**Attachment** Insert

<b>Dimensions</b>	<b>Without hatch</b>	<b>With hatch</b>
Weight	12 kg	12 kg
Length	1700 mm	1660 mm

Base diameter	108 mm
Top diameter	60 mm
Foundation insert	500 mm

Next Green - Charging box pole Stepped 108 – 60 without and with hatch is a solid steel post with a base diameter of 108 mm and root-adapted for a plug-in foundation. Perfect for Next Green Foundation GP108 and Next Green charging box holder Polebox.

## Accessories

Foundation GP108 can be ordered from separate E-number

<b>E-no</b> 27 007 45	<b>Product name</b> Foundation GP108
--------------------------	---

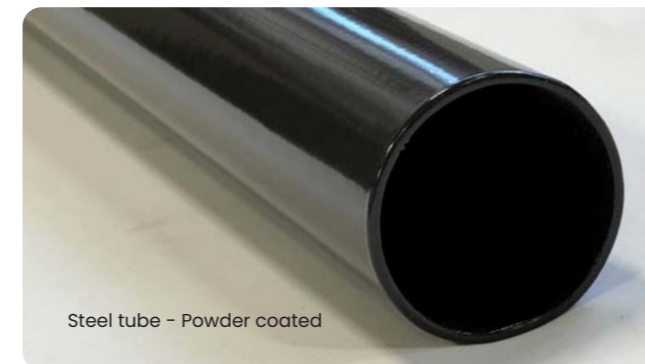


Gives a solid and robust impression for all charging boxes and is particularly suited for heavier charging boxes and charging box holders.

Can be powder coated in any RAL color.



Steel tube - Galvanized steel



Steel tube - Powder coated

## Technical specifications

**Material** Galvanized steel  
**Color** Graphite grey (Steel tube 1500 mm PC)

Next Green provides several different lengths of Ø 60 mm galvanized steel tubes. We also have a Ø 60 mm steel tube powder-coated in graphite grey, the same color as our other powder coated product range. The steel tubes are sold individually or bundled.

## Accessories

For fitting double EV-charger pole mounts on Ø 60 mm steel tubes

<b>E-No</b> 27 007 84	<b>Product name</b> Twin mount 60
--------------------------	--------------------------------------



Ceiling- beam- and ground mounts for Ø 60 mm steel tubes

<b>E-No</b> 27 002 97	<b>Product name</b> Pole mount beam and facade 60-108
27 001 76	Ceiling and floor mount HD 60
27 000 71	Foundation GP60



For signage mounting

<b>Item number</b> 24190011	<b>Product name</b> Top hat plastic for Ø 60 mm steel tubes
--------------------------------	--



<b>E-No</b> 06 676 86	<b>Product name</b> Signage bracket 60 mm. Bracket for mounting on Ø 60 mm tubes.
--------------------------	--



<b>E-No</b> 27 004 10	<b>Product name</b> Sign post clamp kit
--------------------------	--



# Collision protection Pole 108-750

Mounting and installation products  
Foundations & Ground mounts  
NEXT GREEN Collision protection Pole 108-750

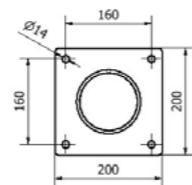
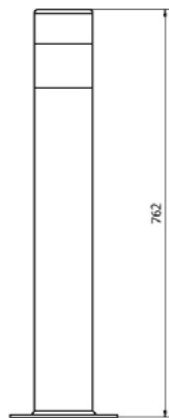
## Model

E-No	Product name
27 002 96	Collision protection Pole
S-No	108-750
35 063 28	



## FEATURES

- Protects the charging station against collision
- Alerts drivers
- Hole pattern CC 160 mm
- Can be installed directly on a concrete base
- For installation in a Ø 60 mm (requires accessory E-no 27 000 69)
- Robust hot dip galvanized steel construction
- Weatherproof reflective decal



## Technical specifications

**Material** Galvanized steel - SS-EN ISO 1461  
Weatherproof reflective decal

Dimensions	
Weight	8,9 kg
Height	762 mm
Width	200 mm
Depth	200 mm

Next Green - Collision protection Pole 108-750 protects your charging station from being impacted and run over by a vehicle. The impact protection is installed either directly on a concrete base or in a Ø 60 mm base together with Ground mount GP60-160 Combo (E-number 27 000 69). The Collision protection pole 108-750 has a pole diameter of 108 mm and a height of 750 mm. The base plate has a CC distance of 160 mm and an outer dimension of 200 mm. The impact protection can alert drivers to your charging station, preventing it from being damaged.

## Accessories

Base for Ø 60 mm insert

E-no	Product name
27 000 69	Ground mount GP60-160 Combo
27 000 71	Foundation GP60
27 006 83	Bolt kit Ground mount GP60 - 160 Combo M12



# Ceiling and floor mount HD 60

Mounting and installation products  
Foundations & Ground mounts  
NEXT GREEN Ceiling and floor mount HD 60

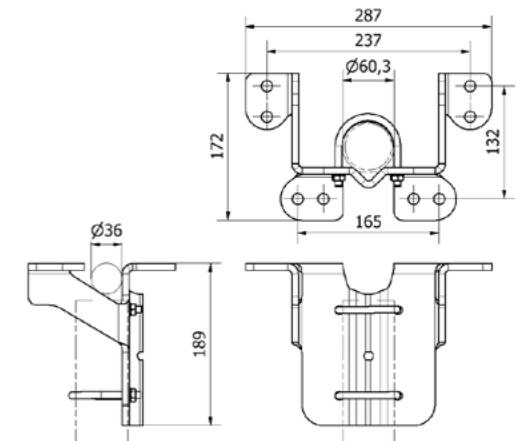
## Model

E-No	Product name
27 001 76	Ceiling and floor mount HD 60
S-No	35 063 11



## FEATURES

- Precut hole pattern for mounting in ceiling and on floor
- Designed to enable cable entry 360°
- Fits any length of Ø 60 mm steel tubes
- Safety bolt hole
- Robust hot dip galvanized steel construction



## Technical specifications

**Material** Galvanized steel - SS-EN ISO 1461

Dimensions	
Weight	3,4 kg
Height	189 mm
Width	287 mm
Depth	172 mm

Next Green - Ceiling and floor mount HD 60 has been developed to mount a 60 mm steel tube for further installation of a charging box from the ceiling or floor, for example in a parking garage. The ceiling and floor mounts allow for cable entry 360°. The bracket comes with U-bolts for mounting 60 mm Steel tubes of any length. Attached with expander. Screw and plug not included. Steel tubes not included.

## Accessories

Steel tubes Ø 60 mm

E-no /item number	Product name
27 003 76	Steel tube 500 mm
27 003 75	Steel tube 750 mm
27 003 74	Steel tube 1000 mm
27 001 81	Steel tube 1200 mm
27 000 28	Steel tube 1500 mm
24190021	Steel tube 2500 mm
24190022	Steel tube 2850 mm
27 005 66	Steel tube 1500 mm PC (Powder coated graphite grey)



EV-charger pole mounts intended for suspended mounting on Ø 60 mm tube or pole

E-no	Product name
27 004 54	Polebox Compact Ceiling
27 004 04	Poleplate 300 Ceiling



# Angle mount 60

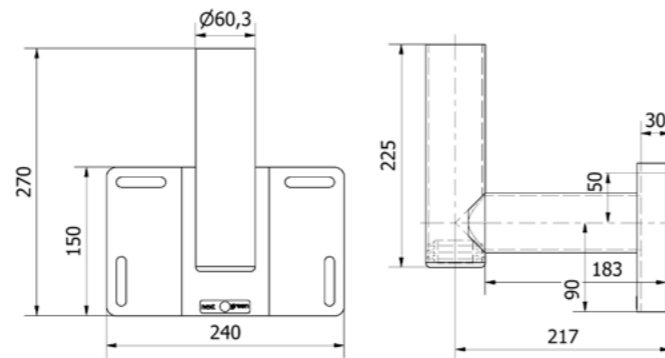
Mounting and installation products  
Foundations & Ground mounts  
NEXT GREEN Angle mount 60

## Model

E-No	Product name
27 004 09	Angle mount 60
S-No	
35 063 29	

## ANGLE MOUNT 60 FEATURES

- A Ø 60 mm tube bracket for a facade where the unit needs some distance to the facade
- Robust construction in hot dip galvanized steel
- Cable diameter up to 17 mm at 85 mm bending radius can be routed internally
- Screw connection not included
- Elongated mounting holes facilitate assembly on the facade



## Technical specifications

**Material** Galvanized steel - SS-EN ISO 1461

Dimensions	
Weight	3,0 kg
Height	270 mm
Width	240 mm
Depth	247 mm

Next Green - Angle mount 60 is designed to be mounted on walls or facades where distance is needed for mounting of a EV-charger. Angle bracket 60 is a robust universal bracket made of galvanized steel for the Nordic climate and has a diameter of 60 mm.



Sample images

# Pole mount beam and facade 60-108

Mounting and installation products  
Foundations & Ground mounts  
NEXT GREEN Pole mount beam and facade 60-108

## Model

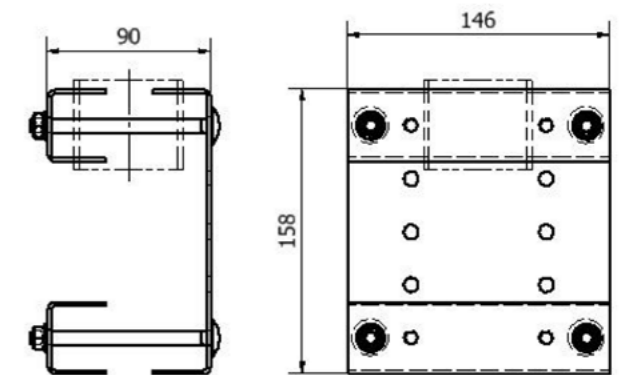
E-No	Product name
27 002 97	Pole mount beam and facade 60-108
S-No	
35 063 13	

## FEATURES

- Precut hole pattern for installation on wood beams, edge planks or beams, retaining walls of facades
- Fit any length of Ø 60-108 mm steel tubes
- Robust Magnelis® steel construction



Sample of assembly on a parking plank.



## Technical specifications

**Material** 2 mm Magnelis® Steel

Dimensions	
Weight	1,1 kg
Height	158 mm
Width	146 mm
Depth	90 mm

Next Green - Pole mount beam and facade 60-108 is used to attach a Ø 60-108 mm pole to support such as dividing planks in parking lots, fender beams, wooden edge beams, retaining walls or facades for charger installation. The mounting bracket comes with bolts for attachment of any length of Ø 60 mm poles.

## Accessories

Steel tubes Ø 60 mm

E-no /item number	Product name
27 003 76	Steel tube 500 mm
27 003 75	Steel tube 750 mm
27 003 74	Steel tube 1000 mm
27 001 81	Steel tube 1200 mm
27 000 28	Steel tube 1500 mm
24190021	Steel tube 2500 mm
24190022	Steel tube 2850 mm
27 005 66	Steel tube 1500 mm PC (Powder coated graphite grey)



# Steel tube bracket plank and facade 60-540

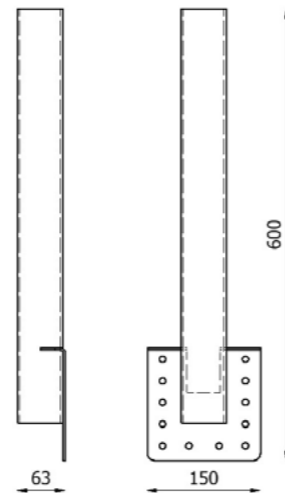
Mounting and installation products  
Foundations & Ground mounts  
NEXT GREEN Steel tube bracket plank and facade 60-540

## Model

E-No	Product name
27 007 66	Steel tube bracket Plank and facade 60-540

## FEATURES

- Laser-cut hole pattern for mounting on deflector plank, deflector beam, edge beam, retaining walls and facades
- Robust construction in hot dip galvanized steel
- Diameter 60 mm pole tube
- Length of pole tube: 540 mm



## Technical specifications

**Material** Galvanized steel - SS-EN ISO 1461

Dimensions	
Weight	1,8 kg
Height	600 mm
Width	150 mm
Depth	63 mm

Next Green - Steel tube bracket Plank and facade 60-540 is designed to be mounted on, for example, a parking plank, deflector plank, deflector beam, edge beam, retaining walls or facades for for mounting of EV-charging boxes. Fixed-welded Ø 60 mm steel tube in length of 540 mm.



# Pedestal Dynamic

Mounting and installation products  
Foundations & Ground mounts  
NEXT GREEN Pedestal Dynamic

## Model

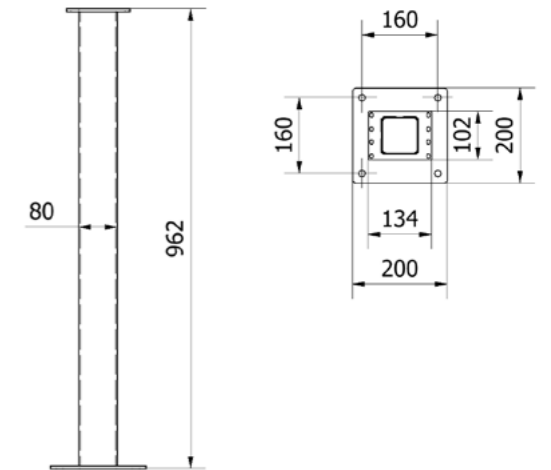
E-No	Product name
27 004 88	Pedestal Dynamic

## PEDESTAL DYNAMIC FEATURES

- Adapted for Waybler Dynamic charging box
- Double flange FL13
- Mounted on stud bolts CC-160 mm
- Robust construction in powder-coated steel
- The bottom plate is double bent for better water drainage



Sample image (right).  
Mounted with Waybler Dynamic EV-charging box.



## Technical specifications

**Material** Steel, Powder coated

Dimensions	
Weight	8,6 kg
Height	962 mm
Width	80 mm
Depth	80 mm

Next Green - Pedestal Dynamic is designed to mount the Waybler Dynamic charging box on screw foundations. It is based on the double flange FL13. The bottom plate with the size 200x200 mm is provided with 13 mm holes CC-160 mm. Pedestal Dynamic is powder coated for the Nordic climate.

## Accessories

Pole or tube mount with double flange FL13 for Waybler. Ø 60 mm insert.

E-No	Product name
27 004 89	Tube mount Dynamic S
27 006 82	Tube mount Dynamic D

Clamp kit to attach Daytona T2 cable holder

E-No	Product name
27 006 85	Clamp kit 80x80 double
27 006 86	Clamp kit 80x80 quattro

Ground mount and foundation. Ø 60 mm insert.

E-No	Product name
27 000 69	Ground mount GP60-160 Combo
27 000 71	Foundation GP60
27 006 83	Bolt kit Ground mount GP60-160 Combo M12

# Ground mount GP60-160 Combo Ground mount GP108-160 Combo

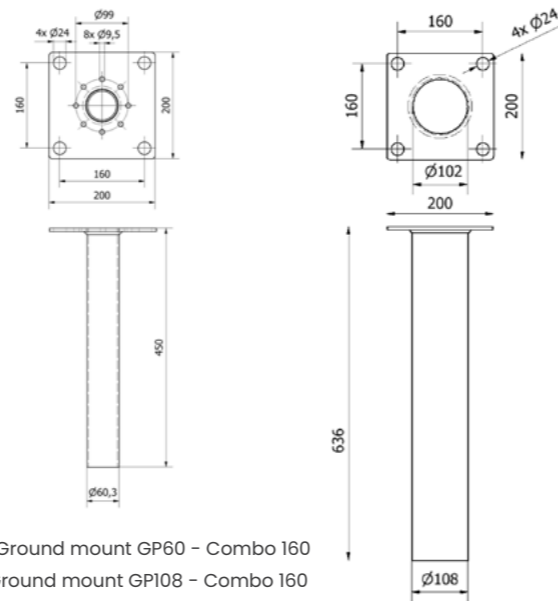
Mounting and installation products  
Foundations & Ground mounts  
NEXT GREEN Ground mount GP60-160 Combo  
NEXT GREEN Ground mount GP108-160 Combo

## Model

E-No	Product name
27 000 69	Ground mount GP60 – 160 Combo
27 006 87	Ground mount GP108 – 160 Combo
S-No	
35 063 32	Ground mount GP60 – 160 Combo
35 063 38	Ground mount GP108 – 160 Combo

## FEATURES

- Hole pattern CC-160 mm. Fits different makes of charging posts
- GP60 - Combo for insert in Ø 60 mm foundation
- GP108 - Combo for insert in Ø 108 mm foundation
- Robust and sturdy hot dip galvanized steel construction



Above: Ground mount GP60 - Combo 160  
Right: Ground mount GP108 - Combo 160

## Accessories

<b>E-No</b> 27 006 07	<b>Product name</b> Next Pole Pedestal	
<b>E-No</b> 27 000 71 27 007 45	<b>Product name</b> Foundation GP60 Foundation GP108	
<b>E-No</b> 27 002 96	<b>Product name</b> Collision protection Pole 108-750	
<b>E-No</b> 27 006 83	<b>Product name</b> Bolt kit Ground mount GP60 - 160 Combo M12	
<b>E-No</b> 27 006 84	<b>Product name</b> Bolt kit Ground mount GP60 - 160 Combo M16	
<b>S-No</b> 35 063 41		

# Foundation GP

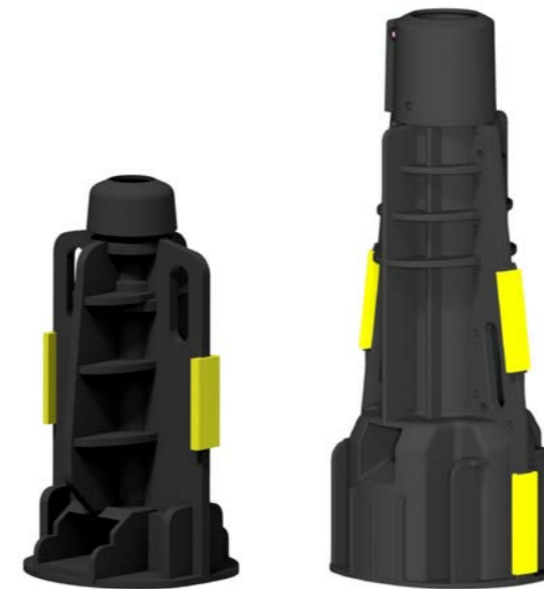
Mounting and installation products  
Foundations & Ground mounts  
NEXT GREEN GP108 & GP60

## Model

E-No	Product name
27 000 71	Foundation GP60
27 007 45	Foundation GP108
S-No	
35 063 36	Foundation GP60
35 063 37	Foundation GP108

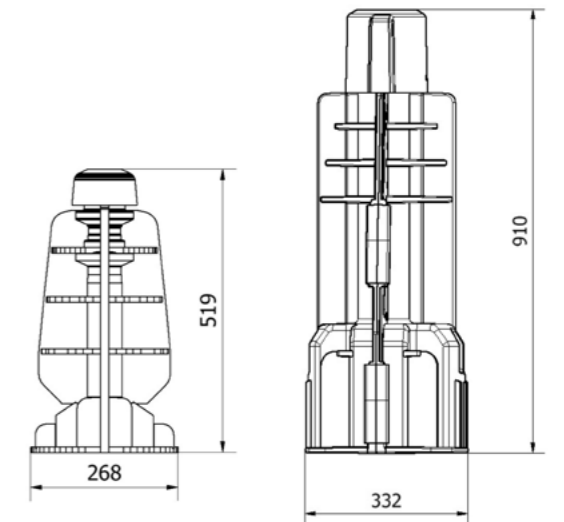
## GP FOUNDATION FEATURES

- Made of 100% recycled plastic
- Enables installation of Ø 60 mm and Ø 108 mm post tubes
- Safe and sustainable placement
- Significantly lighter than a similar concrete foundation
- Quick and easy mounting



Foundation GP60

Foundation GP108



## Technical specifications

<b>Material</b>	Recycled plastic	
<b>Color</b>	Black	
<b>Dimensions</b>	<b>GP60</b>	<b>GP108</b>
<b>Weight</b>	3,5 kg	12 kg
<b>Height</b>	519 mm	910 mm
<b>Width</b>	268 mm	332 mm
<b>Depth</b>	268 mm	332 mm

Next Green GP Foundation is designed to increase quality and service life when installing charging stations on a Ø 60 mm pole. This flexible product greatly helps assembly and ensures easy mounting.

GP charging station foundations are also a good choice for the environment, as they are made of 100% recycled plastic.

## Accessories

<b>E-No</b> 27 000 69 27 006 87	<b>Product name</b> Ground mount GP60-160 Combo Ground mount GP108-160 Combo	
<b>E-No/Item number</b> 227 003 76 27 003 75 27 003 74 27 001 81 27 000 28 24190021 24190022 27 005 66	<b>Product name</b> Steel tube 500 mm Steel tube 750 mm Steel tube 1000 mm Steel tube 1200 mm Steel tube 1500 mm Steel tube 2500 mm Steel tube 2850 mm Steel tube 1500 mm PC (Powder coated graphite grey)	
<b>E-No</b> 27 000 22 27 003 93	<b>Product name</b> Next Green charging box pole Stepped 108 - 60 without hatch Next Green charging box pole Stepped 108 - 60 with hatch	

## Technical specifications

**Material** Galvanized steel - SS-EN ISO 1461

Dimensions	GP 60	GP 108
<b>Weight</b>	3,5 kg	6,2 kg
<b>Height</b>	450 mm	636 mm
<b>Width</b>	200 mm	200 mm
<b>Depth</b>	200 mm	200 mm

Next Green - Ground mounts are designed to fit Ø 60 mm or Ø 108 mm foundations. Ground mount Combo GP60-160 and GP108-160 has CC dimension 160 mm and works as an adapter for charging poles with CC-160 mm foot plate.

Follow Next Green on social media:



Next Green AB  
Brudtallsvägen 14  
SE-792 32 MORA  
SWEDEN

[www.nextgreen.se](http://www.nextgreen.se)  
[info@nextgreen.se](mailto:info@nextgreen.se)  
+46 (0)250 50 39 90

## Wholesalers & Resellers

Our products are available at major wholesalers and well-equipped E-mobility resellers.

### Wholesalers Sweden

Ahlsell	KGK
Alcadon	Malmbergs
E2 Teknik	Onninen/Kesko
EET Group	Simplev
Elektroskandia	Rexel
Elkedjan	

### Resellers Sweden

EFUEL  
Tibber

### Wholesalers Finland

Ahlsell	Rexel
EET Group	Sonepar

### Wholesalers Europe

EET Group



MADE IN  
SWEDEN