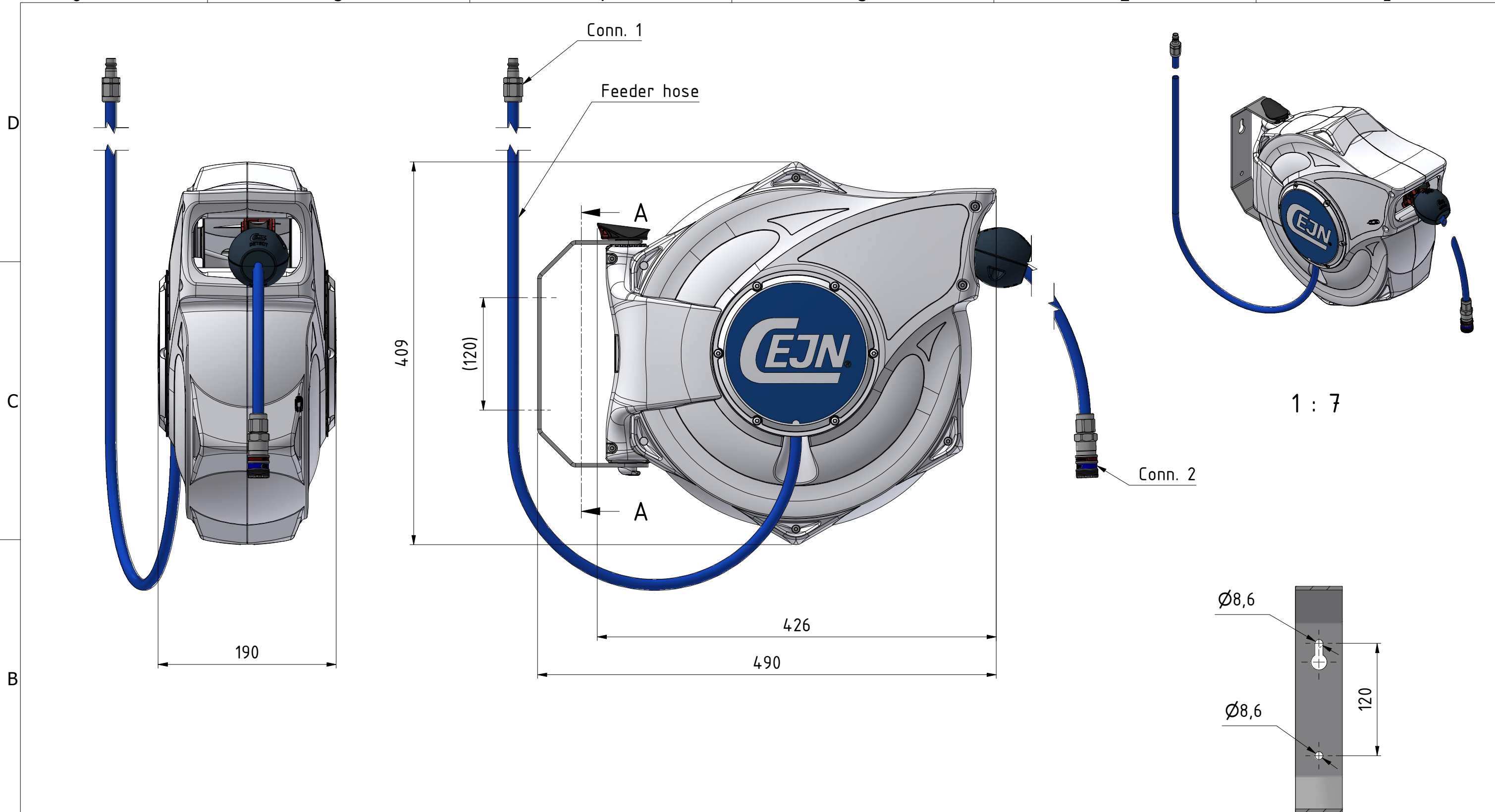



This document must not be copied, either completely or in part, without permission. Any infringement will have legal consequences ©



Product No.	199112196 - Medium Reel Air
Hose dim. (ID x OD):	8x12 mm
Hose length:	17 m
Feeder hose length:	1,5 m
Hose material:	Braided PUR (ester based)
Temperature range:	-20°C - +60°C
Connection 1:	326-nipple
Connection 2:	eSafe 326 FDA
Sealing material:	EPDM/NBR
Max WP Connected:	16 bar
Weight:	7 kg

State Production	Drawn CABLIJA	Checked ALAL	Approved OSJO	Date 2025-11-21
 Hose reel, Medium (8x12/17m) eSafe 326 FDA White Housing w SS bracket	ECO 002492	Former No.	Scale 1 : 4	
	Drawing No. <b>199112196</b>	Issue B	Sheet 1 / (1 )	

A3