

## Series AS2

Qn = 14500 l/min



## Technical data

Industry

Industrial

Port

G 1/8

Min. ambient temperature

-10 °C

Max. ambient temperature

50 °C

Housing material

Polyamide

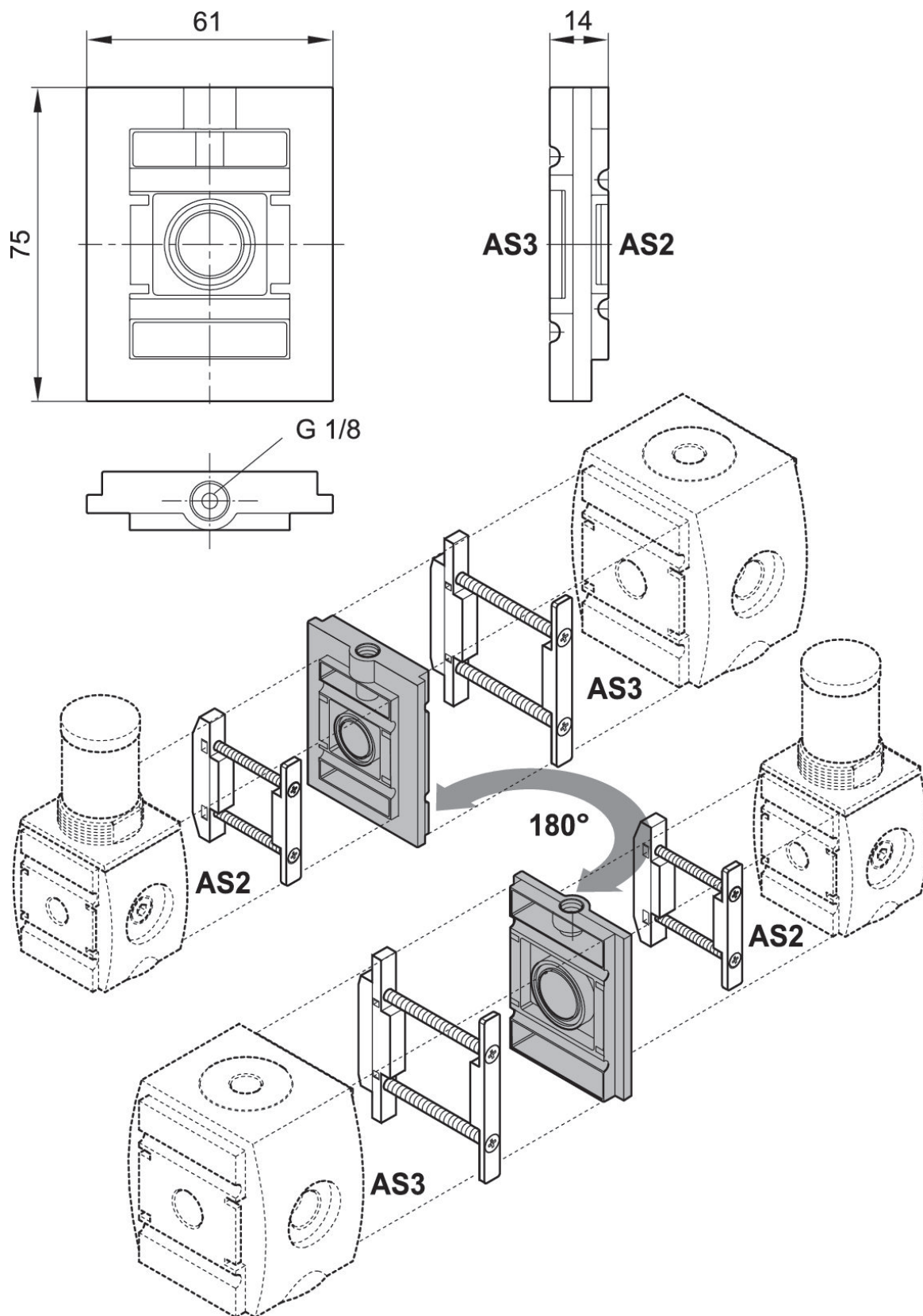
Seal material

Acrylonitrile butadiene rubber

R412010121

R412010121

Dimensions in mm



scope of delivery incl. seal