

# LC1x30-E-DA

## 1x30 W Dimmable DALI LED driver (55020)

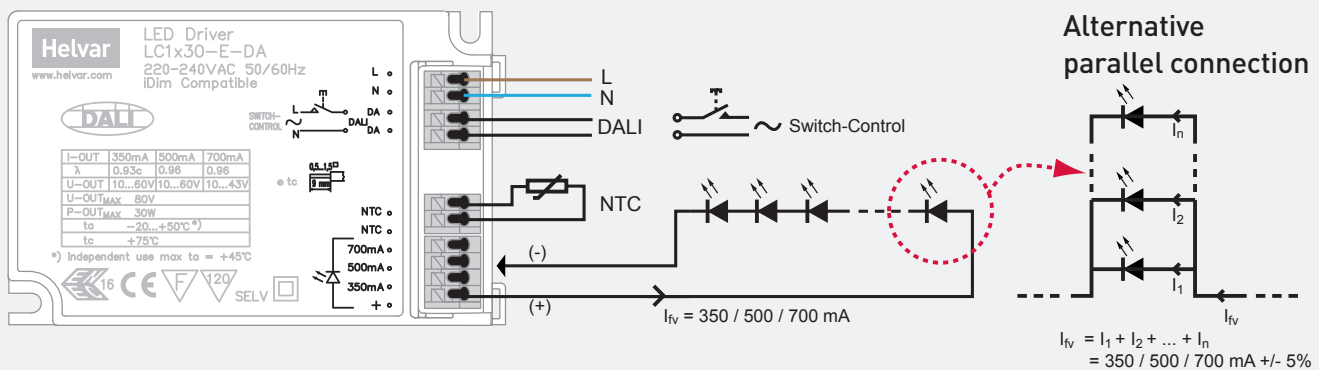
**30 W 220-240 VAC, 50-60 Hz**

Optional version on request (55026): added lacquer coating provides improved robustness in challenging climate conditions (humidity, temperature).

- Selectable constant current output: 350 / 500 / 700 mA
- Maximum 30 W load
- DALI control input, 1 %-100 % dimming range
- Low stand-by power 0.3 W
- Protected up to 4 kV power network fast transients
- High efficiency, 0.87
- Optional click-on strain relief for independent use
- External NTC thermal input



### Connections



Note: Not suitable for load side switching operation.

### Mains Characteristics

Voltage range	198 - 264 VAC
DC range	176 - 280 VDC, starting voltage > 190 VDC
Max mains current at full load	0.14-0.18 A
Frequency	0 / 50 - 60 Hz
U-OUT <sub>max</sub> (abnormal)	80 V
Stand-by power	0.3 W

### Load Output

Efficiency, at full load, typical  $\geq 0.86$

I-OUT	350 mA	500 mA	700 mA
P-out (max)	21 W	30 W	30 W
U-OUT	10 - 60 V	10 - 60 V	10 - 43 V
$\lambda$	0.93c	0.96	0.96
$\eta$ @ max	0.87	0.87	0.86

### Operating Conditions and Characteristics

Max temperature at Tc point	75 °C
Ambient temperature range	-20...+50 °C *
(Independent use	Ta <sub>max</sub> = +45 °C)
Storage temperature range	-40...+80 °C
Maximum relative humidity	no condensation *
Life time	50 000 h, at Tc <sub>max</sub> (90 % survival rate)

\* Coated version: partially allowed condensation,  
Ta<sub>Min</sub> = -40 °C (cable length < 200 m, cable size  $\geq 1$  mm<sup>2</sup>)

### Connections and Mechanical Data

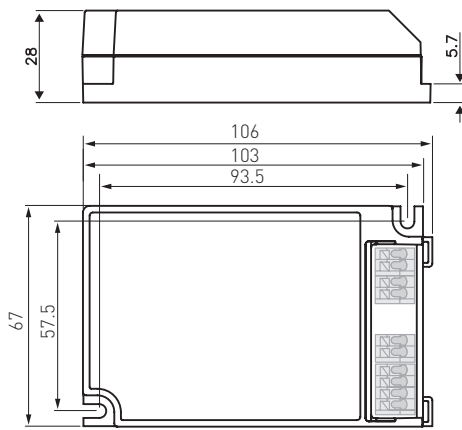
Wire size	0.5 - 1.5 mm <sup>2</sup>
Wire type	solid core and fine-stranded
Maximum driver to LED wire length	5m (1 m with NTC)
Weight	123 g (+17 g, strain relief LC1x30-SR)
Thermal sensor input	Input for external NTC thermal sensor
NTC trigger point	8.2 k $\Omega$
IP rating	IP20

### Conformity & Standards

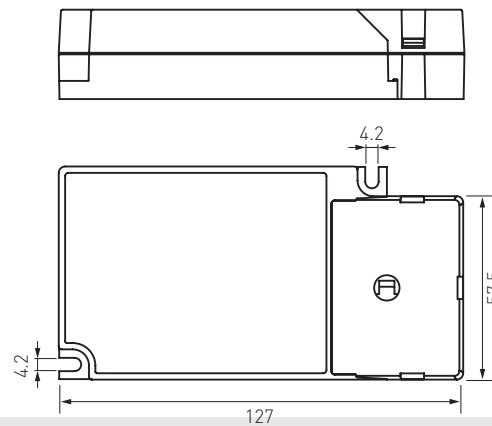
General and safety requirements	EN 61347-1
Particular safety requirements for d.c. or a.c. supplied electronic controlgear for LED modules, acc. to	EN 61347-2-13
Thermal protection class	EN61347, C5e
Mains current harmonics, acc. to	EN 61000-3-2
Limits for Voltage Fluctuations and Flicker, acc to	EN 61000-3-3
Radio Frequency Interference, acc. to	EN 55015
Immunity standard, acc. to	EN 61547
Performance requirements, acc to	EN 62384
Digital addressing lighting interface (DALI) **	EN62386-207

Compliant with relevant EU directives  
ENEC, CE & SELV marked

\*\* with additional extensions



With strain relief (LC1x30-SR)



LC1x30-E-DA LED driver is suited for either in-built and independent luminaire usage. In order to have safe and reliable LED driver operation, the LED luminaires will need to comply with the relevant standards and regulations (e.g. IEC/EN 60598-1). The LED luminaire shall be designed to adequately protect the LED driver from dust, moisture and pollution. The luminaire manufacturer is responsible for the correct choice and installation of the LED drivers according to the application and product datasheets. Specifications of the LED drivers may never exceed the operating conditions as per the product datasheets.

## Wiring considerations

### Wire type and cross section

- Please refer to datasheets connections & mechanical data

### Wiring insulation

- According to recommendations in EN 60598

### Maximum wire lengths

- Please refer to datasheets connections & mechanical data

### Wire connections

- Please refer to datasheets connections diagram

### Miniature Circuit Breakers (MCB)

- Type-C MCB's with trip characteristics in according to EN 60898 are recommended.

### LED driver earthing

- LED drivers are designed to support different luminaire classifications, like Class I or Class II fittings (no earth required). Please check the individual LED driver type for its exact safety class rating.
- For Helvar LED drivers to have a reliable operation and EMC performance, the luminaires are expected to have an earth connection.
- When using a SELV-rated LED driver, then the SELV driver output has to be insulated from the luminaire earth connection (ref. EN60598-1 luminaire standard).

## Installation & operational considerations

### Maximum tc temperature

- Reliable operation and lifetime is only guaranteed if the maximum tc point temperature is not exceeded under the conditions of use.

### Strain Relief for independent use

- LC1x30-E-DA LED driver allow use both inside the luminaire and outside the luminaire, via the LC1x30-SR strain relief. The strain relief provides reliable fastening method for the mains and LED output wiring.
- Ensure that the LED driver does not exceed temperature higher than specified on the product datasheets.
- The general preferred installation position of LED drivers is to have the top cover facing upwards.