

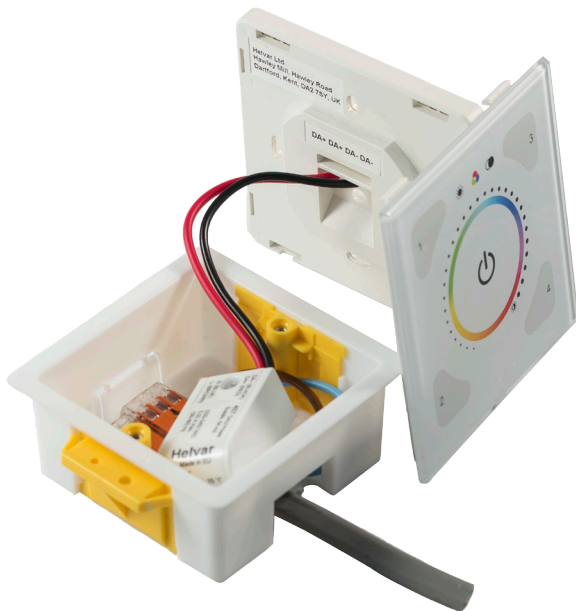
## Compact DALI Power Supply (407)

The Helvar 407 is an ultra-compact DALI power supply that provides up to 64 mA current to a DIGIDIM system.

It is designed for installations in which the DALI power supply must be contained in a limited space. It fits into UK, DIN and similar back boxes.

### Key Features

- Ultra-compact footprint
- 64 mA DALI supply
- DALI short circuit protected
- Over temperature protected
- Flying leads for easy and flexible connection



Compact DALI Power Supply in a back box, connected to an ILLUSTRIS panel.

## Technical Data

### Connections

<b>Mains supply:</b>	220 VAC – 240 VAC, 50 Hz – 60 Hz
<b>Current consumption:</b>	20 mA max.
<b>Mains cable:</b>	12 cm (factory-fitted flying lead) 2 × 0.75 mm <sup>2</sup> stranded wires Live: Brown Neutral: Blue

### Power supply

<b>Isolation:</b>	Basic
<b>DALI supply output:</b>	64 mA
<b>DALI cable:</b>	12 cm (factory-fitted flying lead) 2 × 0.75 mm <sup>2</sup> stranded wires DALI+: Red DALI-: Black

**Cable rating:** All cables must be mains rated.

### Mechanical data

<b>Dimensions:</b>	53.5 mm × 25.5 mm × 17.2 mm
<b>Material:</b>	Fire-retardant polycarbonate
<b>Mounting:</b>	For installation in a suitably enclosed location only.
<b>Colour:</b>	White (RAL 9016)
<b>Weight:</b>	20 g
<b>IP code:</b>	IP30

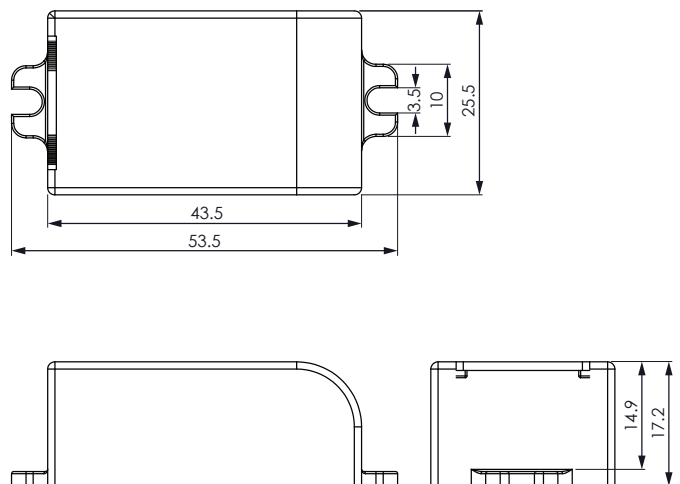
### Operating and storage conditions

<b>Ambient temperature:</b>	0 °C to +50 °C
<b>Relative humidity:</b>	Max. 90 %, noncondensing
<b>Storage temperature:</b>	-10 °C to +70 °C

### Conformity and standards

<b>EMC emission:</b>	EN 61000-6-3
<b>EMC immunity:</b>	EN 61547
<b>Safety:</b>	EN 61347-2-11
<b>Environment:</b>	Complies with WEEE and RoHS directives.

### Dimensions (mm)



## Connections

