

0.5 A, 60 V Single-Channel DALI Relay Unit

The 493 is a single channel relay unit, designed to allow interfacing with other building control and management systems.

The 493 signal relay unit is in a plastic enclosure, so it can be installed within a 3rd party equipment enclosure, electrical cabinet, or used as an in line unit.

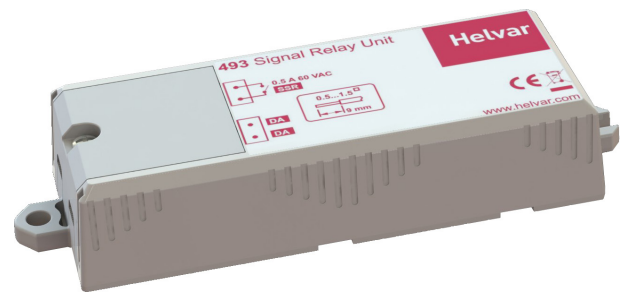
The relay is a solid-state, normally open signal relay, with a contact rating of 60 VAC or VDC, at a maximum of 0.5 A.
This unit must not be used to switch mains voltages.

The unit is powered from the DALI network.

The compact enclosure has mounting lugs at each end, and cable grips are provided as part of the terminal cover.

The unit forms a DALI relay node with a typical current consumption of 10 mA, and is programmable as a single channel relay by Helvar's lighting design software, Designer and Toolbox.

Note: This unit does not contain a DALI power supply and therefore one must be incorporated elsewhere in the system.

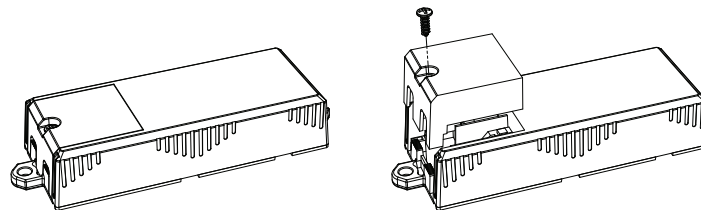


Key Features

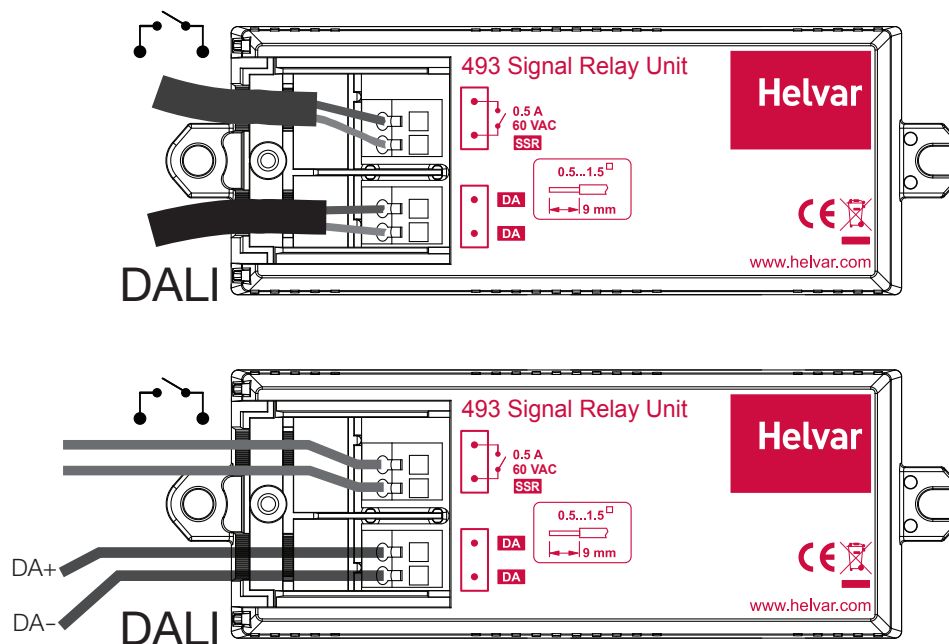
- Low power switching capability (0.1 mA to 0.5 A; 60 V)
- Solid state low-current relay
- Compact size for electrical panel or in-line mounting
- Secure wire connection cover

Installation Notes

- Remove the connection cover
- Connect the relay wires
- Connect the DALI control wires
- Secure the unit in place



Connection



Note:
 The DA+ and DA- wires can go in either of the DALI connectors.

Technical Data

Relay Contacts

Relay contacts:	Normally open signal solid state relay (SSR)
Voltage:	60 VAC or VDC
Isolation:	4 kV
Maximum load:	0.5 A
Minimum load:	0.1 mA

Connections

DALI: 0.5 mm² - 1.5 mm² stranded or solid core
Strip length: 8.5 mm to 9.5 mm

DALI consumption: 10 mA

DALI cabling must be 230 V mains rated.

Relay: 0.5 mm² - 1.5 mm² stranded or solid core
Strip length: 8.5 mm to 9.5 mm

Mechanical Data

Housing:	White plastic (Polycarbonate)
Weight:	38 g
IP Rating:	IP 30

Operating and Storage Conditions

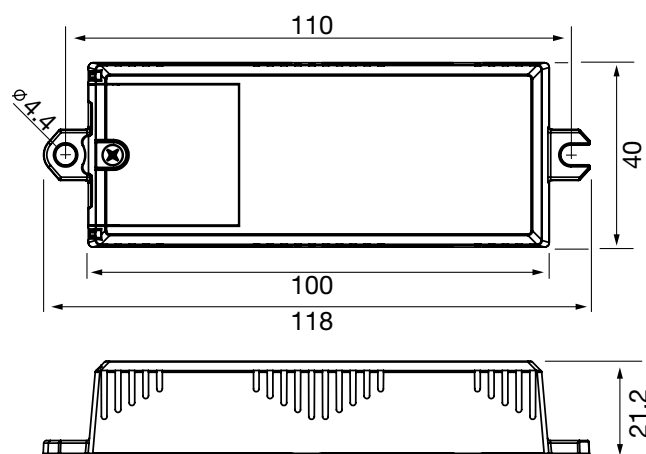
Ambient Temp:	0°C to 40°C
Storage Temp:	-10°C to 70°C
Relative Humidity:	Max 90%, non-condensing

Conformity and Standards

Emission:	EN 55 015
Immunity:	EN 61 547
Safety:	EN 60 950

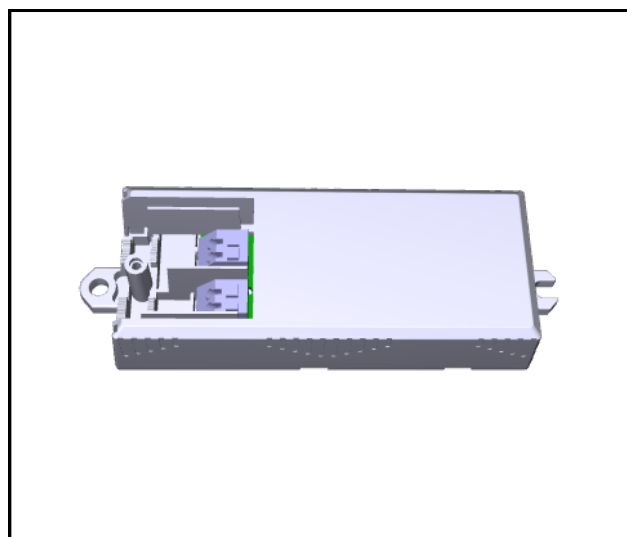
Dimensions

Dimensions in mm



3D viewer

(electronic version only)



- Ⓔ For further information see www.helvar.com
- Ⓓ Für weitere Informationen siehe www.helvar.com
- Ⓕ Lisätietoja: www.helvar.com
- Ⓔ För mer information besök www.helvar.com
- Ⓕ Pour plus d'informations, visitez www.helvar.com
- Ⓕ Per ulteriori informazioni consultare www.helvar.com
- Ⓔ Дополнительную информацию см на www.helvar.com

Data subject to change without notice

www.helvar.com

Doc. D005163, issue 1
20.03.2012