

Modular Panels (13xx)

The 13xx modular panels are a customisable DALI compatible range of user interfaces that allow control of the system. Each module is fitted with indicator LEDs and an infrared receiver that gives the option of remote operation using DIGIDIM hand held remote controls. The hand held remote also allows additional control of the system's functions and can be used as a programming device on simple systems.

Key features

- Choice of black (B) or white (W) modules
- Simple connection: out-of-box operation
- Easily re-configured and programmable using Helvar Designer and Toolbox
- Designed to fit DIN and UK standard back boxes
- Double gang version can take up to 3 modules
- Customisable button layout and frames available upon request.

Contact your local Helvar representative for further information.

Modules

Twelve modules are available:

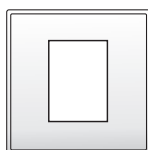
Module Function	Product Code White	Product Code Black
On / Off (2 buttons)	131 W	131 B
Raise/Lower (2 buttons)	132 W	132 B
4 scenes + Off (5 buttons)	134 W	134 B
4 scenes, Off + Up/Down (7 buttons)	135 W	135 B
7 scenes + Off (8 buttons)	136 W	136 B
4 scenes (4 buttons)	137 W	137 B

Frames

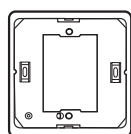
The frame kits are available in range of finishes, which are shown below:

Note: Frames are delivered complete with corresponding chassis.

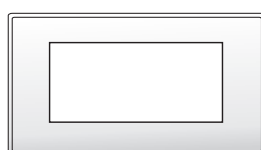
Frame Finish	Single gang code	Single gang dimensions	Double gang code	Double gang dimensions
White Metal	234 S	86 x 86 mm	234 D	146 x 86 mm
Stainless Steel	232 S	86 x 86 mm	232 D	146 x 86 mm
Polished Brass	231 S	86 x 86 mm	231 D	146 x 86 mm
White Plastic	230 S	88.4 x 88.4 mm	230 D	160 x 88.4 mm
Single Gang Chassis	-	86 x 86 mm	N/A	N/A
Double Gang Chassis	N/A	N/A	-	146 mm x 86 mm



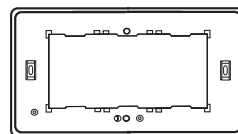
Single Frame



Single Chassis



Double Frame



Double Chassis

Module Types



131 W
On/Off



132 W
Raise/Lower



134 W
4 scenes + Off



135 W
4 scenes, Off + Up/Down



136 W
7 scenes + Off



137 W
4 scenes

Technical Data

Connections

DALI: Removable connector block
Wire size: 0.5 mm² - 2.5 mm²
Solid or stranded

Cable rating: All cables must be mains rated

Power

DALI Supply Input: 13 V to 22.5 V
DALI Consumption: 10 mA

Mechanical Data

IR Frequency: 36 kHz
Module dimensions: 35.4 (W) x 48.4 (H) x 31.8 mm (D)
Module weight: 41 g with DALI connector
Single frame weight (shipping weight) 100 g (130 g)
Double frame weight (shipping weight) 144 g (184 g)
IP rating: IP 30

Note: Frames are delivered complete with corresponding chassis.

Operating Conditions

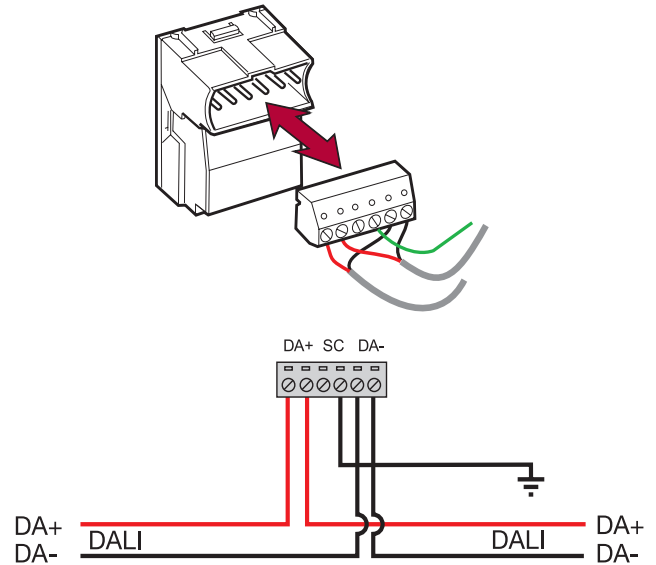
Ambient Temperature: 10°C to 35°C
Relative Humidity: Max 90%, non-condensing
Storage Temperature: -10°C to 70°C

Conformity and Standards

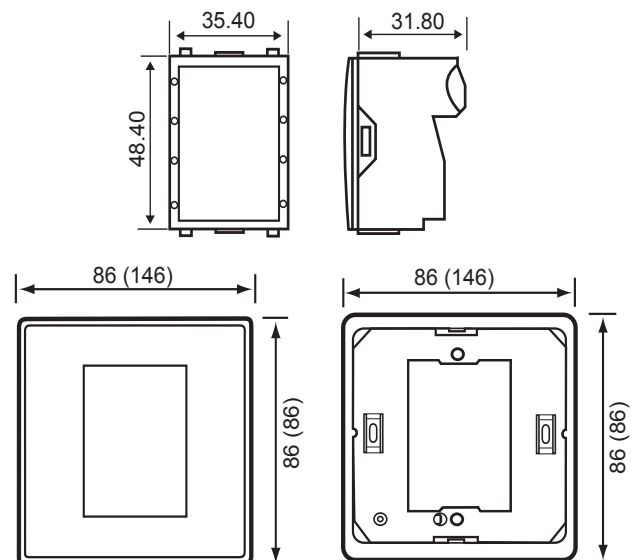
EMC Emission: EN 61 000-6-3
Immunity: EN 61 547
Safety: EN 60 669-1
Environment: Complies with WEEE and RoHS directives

DALI data transfer: All DIGIDIM modular panels use a data protocol which conforms to the DALI protocol.

Connections



Dimensions (mm)



() = Double gang dimensions

3D Viewer: 137 B

