

EnOcean Gateway (434)

The 434 EnOcean Gateway lets you connect wireless and battery-less EnOcean controls to a Helvar DALI lighting network.

The 434 is for mounting on the ceiling or on walls, and requires only a single electrical connection to a DALI network.

Once installed, the 434 will support up to 20 EnOcean switches without any other wiring. The switches are battery-less, thanks to energy harvesting technology, and are maintenance-free. Energy is generated by pressing the EnOcean button, and a radio signal is sent to the Gateway.

The EnOcean switches can be configured in just a few minutes using Helvar's Designer or Toolbox software.

Key Features

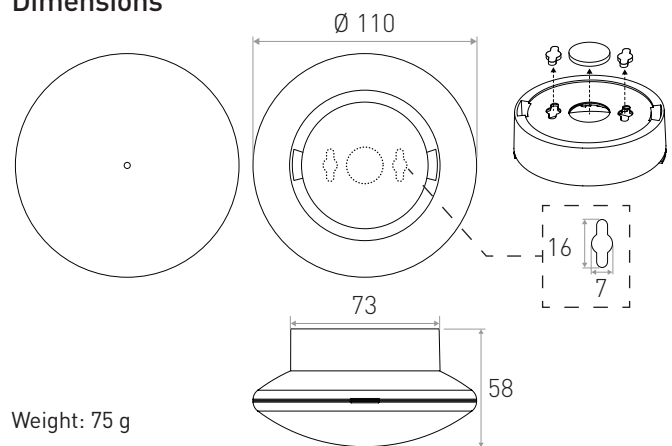
- Integrate wireless, battery-less switches into DALI network
- Simple installation
- Gateway is powered by the DALI network
- Up to 20 switches can be integrated via one gateway

Product Order Codes:

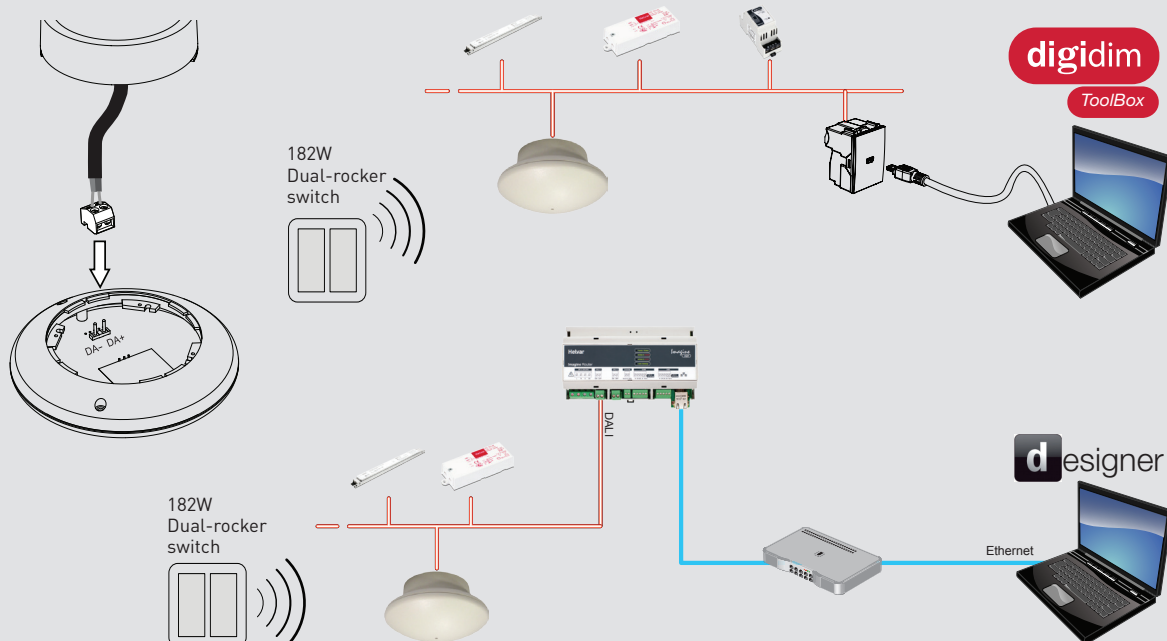
- EnOcean Gateway [868 MHz] 434
 EnOcean Gateway/R2 [928 MHz]: 434/R2



Dimensions



Connections



Technical Data

Connections

DALI: Removable 2-part connector block
Wire size: 0.5 mm² - 2.5 mm²
Solid or stranded

Cable rating: All cables must be mains rated
Note: See "Mount and wire the EnOcean Gateway" for connection instructions.

Power

DALI Supply Input: 13 V to 22.5 V

DALI Consumption: 20 mA

Operation

Operating frequency: 434: 868 MHz ISM band (Europe)
434/R2: 928 MHz (Japan, Australia)

Range (switches): Typical EnOcean Switches: 30 m (unobstructed space)

Maximum number of switch units per gateway: 20

Mechanical Data

Dimensions (mm): 110 (∅) x 58 mm

Weight: 75 g

Colour: White: RAL 9002

IP rating: IP 30

Operating Conditions

Ambient Temperature: 0°C to +50°C

Relative Humidity: Max 90%, non-condensing

Storage Temperature: -10°C to +70°C


Conformity and Standards

EMC Emission: EN 61000-6-3

EMC Immunity: EN 61547

Safety: EN 60950

R & TTE: 1999/5/EC

ARIB STD-T108 (434/R2)  **R 206-000372**

Wireless protocol: ISO/IEC 14543-3-10

Environment: Complies with WEEE and RoHS directives

Status LED

Status LED: red or green

In normal operation the LED remains unlit.

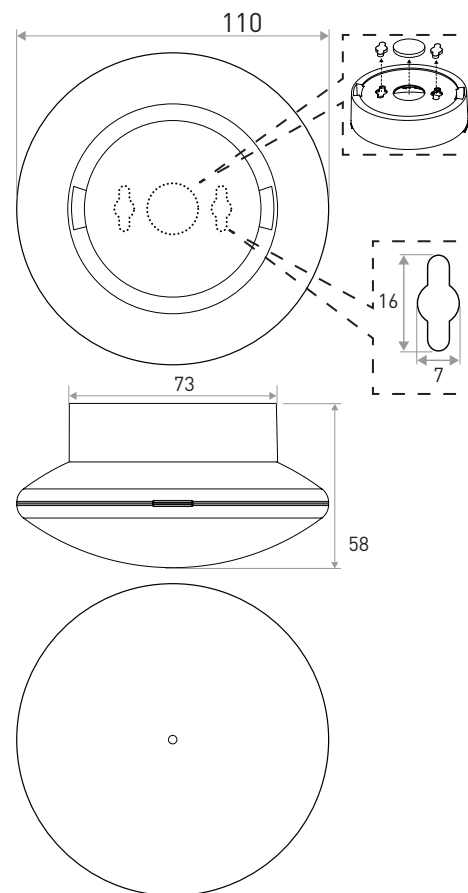
The red LED flashes to indicate the following:

- FAST: DALI network in process of discovering the Gateway; or
- FAST: Designer or Toolbox software identifying the Gateway; or
- SLOW (every 1.25 s): Gateway is in Learning Mode

The green LED flashes to indicate the following:

- The Gateway is in Learning Mode, and has detected a switch (received a signal from a switch unit).

Dimensions (mm)



Order codes

EnOcean Gateway [868 MHz]	434
EnOcean Gateway/R2 [928 MHz]:	434/R2