

## USB-to-DALI interface unit (510)

The Digidim 510 module is an USB to DALI interface which provides a convenient method of connecting a personal computer or laptop, running Helvar Toolbox programming software, to a Helvar Digidim DALI network.

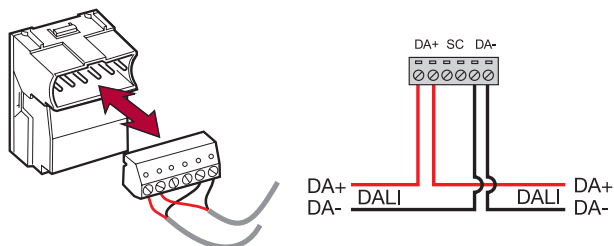
The 510 Interface unit is housed in a standard Helvar panel module. The unit can be simply wall mounted using a Helvar single back box frame, or combined with up to two further modules from the Helvar range, in a triple module (double back box) frame. The module is supplied with both white and a black snap-on fascia panels.

The connection between the PC or laptop and the 510 Interface is via a standard USB/Mini-B cable (supplied).

### Key Features

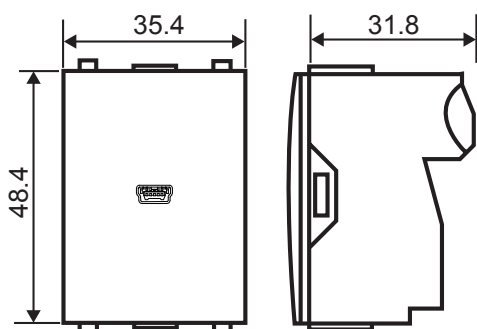
- Simple insertion into Digidim modular panels
- Quick and simple PC-to-DALI connection
- Black and white fascias included
- Standard mini-B USB connector
- Powered from DALI network

### Connections



Note: Terminal block is supplied with the 510

### Dimensions (mm)



### 3D viewer



Helvar Digidim 510 USB-to-DALI Interface: Datasheet  
Data subject to change without notice



## Technical Data

### Electrical

**DALI consumption:** 4 mA

**Isolation:** Double isolation from DALI network

### Connections

**DALI:** Standard DIGIDIM removable connectors with paired terminals; 0.5 mm<sup>2</sup> - 2.5 mm<sup>2</sup> stranded or solid.  
Max. DALI cable length 300 m

**USB:** Mini-B socket  
Max. USB cable length 5 m

Note: 5 m cable (USB A to mini-B) supplied with 510 unit.

### Mechanical Data

**Dimensions:** See diagram

**Weight:** 30 g

### Operating and Storage Conditions

**Ambient Temp:** 0°C to 40°C

**Storage Temp:** -10°C to 70°C

**Relative Humidity:** Max 90%, non-condensing

### Conformity and Standards

**Emission:** EN 55 015

**Immunity:** EN 61 547

**Safety:** EN 60 950

**IP rating:** IP 20

**Environmental:** Complies with WEEE and RoHS directives