

ROBUS®

DOWNLIGHTS

GEM 6W, IP65



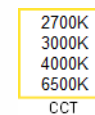
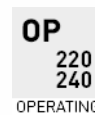
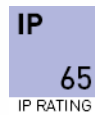
PRODUCT INFORMATION DOCUMENT

CONSTRUCTION

- Polycarbonate body, trim and driver housing and aluminum heat sink
- Polycarbonate LEDchroic lens
- Integrated CCT switch
- 3 way push in connector with double poles

FEATURES

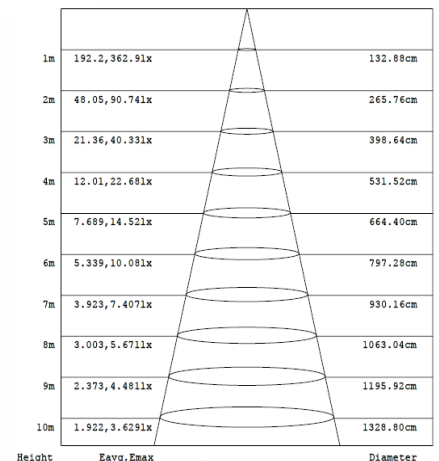
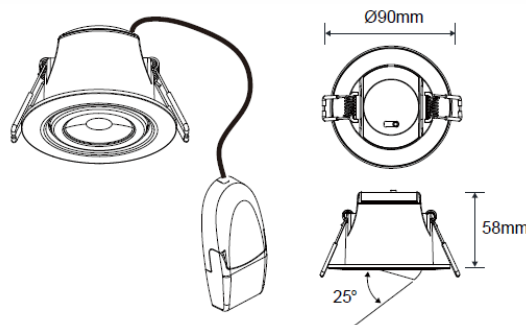
- Fast installation and loop-in/ loop-out with push in connector block
- Can be covered with blown insulation and adhere to RT2012
- 60° tilt allowing direct illumination of specific areas
- Lens construction simulating halogen dichroic lamps
- Dimmable with selected leading and trailing edge dimmers (compatibility list available on the website)



| | |
|---|---------------------|
| Matt white | RGE6CCT4-11 |
| Matt black | RGE6CCT4-10 |
| Silver | RGE6CCT4-15 |
| Comparable to: | 50W halogen |
| Total Power (W): | 5.3/5.3/5.3/5.3 |
| Total Light Output (lm): | 450/480/550/540 |
| Total Emergency Light Output (lm): | N/A |
| Efficacy (lm/cctW): | 86/92/105/104 |
| Lux at 1m (lux): | 330/360/410/400 |
| Emergency Lux at 1m (lux): | N/A |
| CCT (K): | 2700/3000/4000/6500 |
| IP: | 65 |
| Operation Temperature (°C): | -20 ≤ Ta ≤ +40 |
| Inrush Current: | 1A/8us |
| RG Value: | 0 |
| L70B50 or the variant: | >60,000 |
| Dimensions ØxD (mm): | 90x58 |
| Cut out (mm): | 67 |

Product is certified to all the relevant standards.

Please contact our technical department for market specific compliances.



PLEASE NOTE: INFORMATION IN THIS DOCUMENT MAY BE SUBJECT TO CHANGE WITHOUT PRIOR NOTICE

IRE: TEL: +353 1 709 9000
 UK: TEL: 0800 973 220
 AUS: TEL: +61 7 3890 5444
 NZ: TEL: +050 8 533 335

WEB: WWW.ROBUS.COM
 WEB: WWW.ROBUS.COM
 WEB: WWW.ROBUS.COM.AU
 WEB: WWW.NZ_PURCHASES@ROBUS.COM

LED GROUP EUROPE · AUSTRALIA · NEW ZEALAND · ASIA · MIDDLE EAST · AFRICA