

AC switch-disconnector

S6 – 3P – 1250 A



Indicative picture of the series

Electrical data (according to IEC 60947-3)

Thermal current I_{th} (40 °C)

1250 A

Rated insulation voltage U_i

1000 V

Rated impulse withstand voltage U_{imp}

12 kV

Rated operational current I_e

Voltage	Category of operation	I _e
440 V	AC-22B	1250 A

Short-circuit behavior

Short-circuit making capacity (peak value)^{*)} I_{cm} 60 kA

Short-time withstand current (1 sec) (rms) I_{cw} 50 kA

^{*)} Without limiting protective device (short-circuit maintained 50...100ms)

Standards

IEC 60947-3

Quality Telergon, SAU

ISO 9001 & 14001



Management System
ISO 9001:2015
ISO 14001:2015
www.tuv.com
ID: 9105023481

Testing as per IEC 60947-3 Approvals

Austrian Institute of
Technology



Connection capacity

Bar (Thickness / Width) (mm)	2x5x80
Rigid cable (mm ²)	800
Max. Connecting copper bar (mm)	80
Tightening torque (N·m)	45

Mechanical data

Number of mechanical operations according to standards (cycles)	600
Maximum weight (Kg)	10,5

Codes

Case size	Poles	Code of the switch	Accessories	Codes of the accessories
4	3P	S6-12503PS0	Short direct handle Short panel handle Auxiliary contacts Phase barriers Terminal shrouds	DS-LI45 DS-LA45 D5LAU01 (1NO+1NC) D5LAU02 (2NO+2NC) DR-SF42 (2 units) DR-CU41

You will find detailed information about our products on our web site www.telergon.com

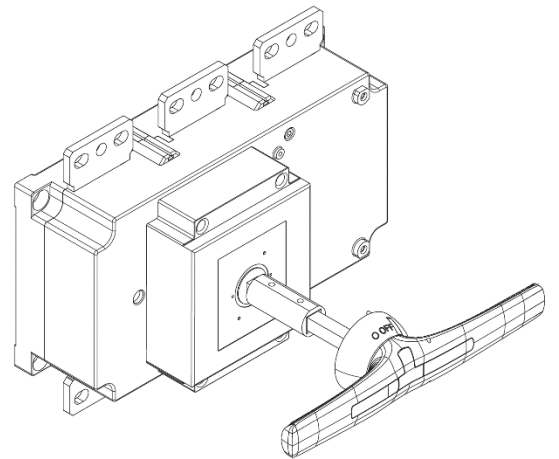
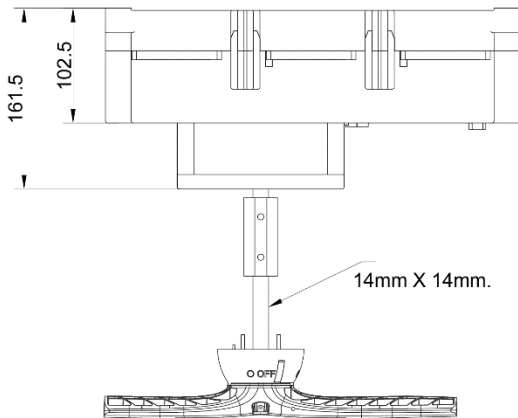
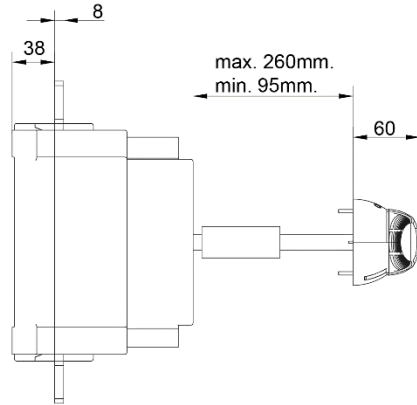
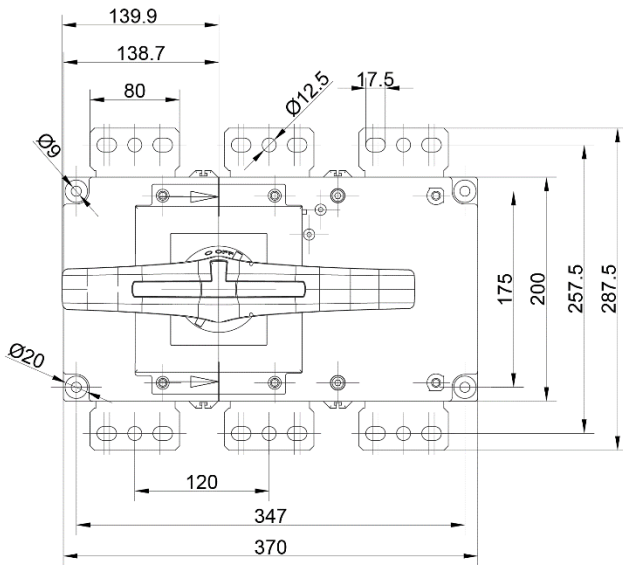


Load break switch-disconnector
S6-12503PS0

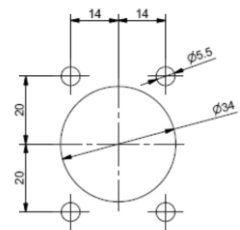
TELERGON, SAU
Data subject to change without
notice (printed: 31/08/2023)

Dimensions

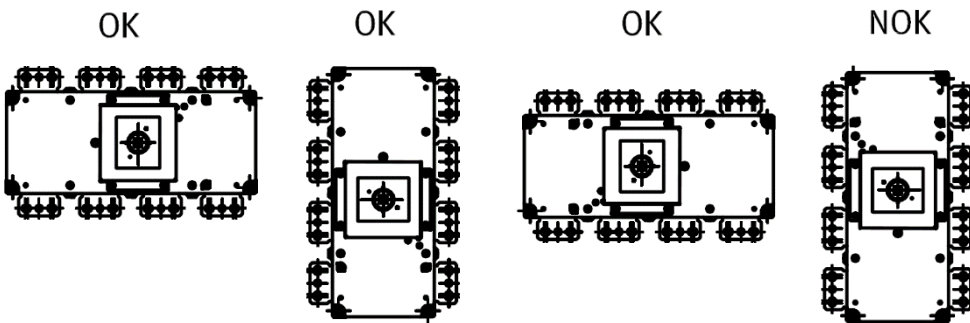
Switch-disconnector with short panel handle DS-LA45



Door drilling handle



Mounting positions:



Warning: For the acceptable mounting positions, please consult the installation instructions.

You will find detailed information about our products on our web site www.telergon.com



Load break switch-disconnector
S6-12503PS0

TELERGON, SAU
Data subject to change without
notice (printed: 31/08/2023)