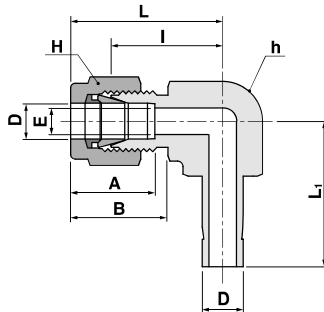


S-LOK Compression Tube Fittings

Elbow Adapter
SLA



Connects fractional tube to fractional S-LOK port

Part No.	Tube O.D		E	Width across flat				A	B	I	L	L ₁
	D			h	H							
	in	mm			in	mm						
SLA-1	1/16	1.59	1.27	3/8	9.52	5/16	7.93	8.63	10.92	14.00	17.88	16.00
SLA-2	1/8	3.17	2.28	3/8	9.52	7/16	11.11	12.70	15.24	15.74	22.35	21.00
SLA-3	3/16	4.76	3.04	1/2	12.70	1/2	12.70	13.71	16.00	17.78	24.35	22.50
SLA-4	1/4	6.35	4.82	1/2	12.70	9/16	14.28	15.24	17.78	19.55	26.92	25.00
SLA-5	5/16	7.93	6.35	9/16	14.28	5/8	15.87	16.25	18.54	21.33	28.70	27.10
SLA-6	3/8	9.52	7.11	5/8	15.87	11/16	17.46	16.76	19.30	23.11	30.48	28.80
SLA-8	1/2	12.70	10.41	13/16	20.64	7/8	22.22	22.86	21.84	25.90	36.06	37.30
SLA-10	5/8	15.87	12.70	15/16	23.81	1	25.40	24.38	21.84	28.70	38.80	41.80
SLA-12	3/4	19.05	15.74	1-1/16	26.98	1-1/8	28.58	24.38	21.84	29.71	39.87	42.60
SLA-14	7/8	22.22	18.28	1-1/4	31.75	1-1/4	31.75	25.90	21.84	34.54	44.70	49.40
SLA-16	1	25.40	22.35	1-3/8	34.92	1-1/2	38.10	31.24	26.41	36.83	49.02	54.00

Connects metric tube to metric S-LOK port

Part No.	Tube O.D	E	Width across flat		A	B	I	L	L ₁
	D		Min	h					
SLA-2M	2	1.7	9.5	12	12.9	15.3	15.7	22.3	20.5
SLA-3M	3	2.4	9.5	12	12.9	15.3	15.7	22.3	20.5
SLA-4M	4	2.4	12.7	12	13.7	16.1	18.8	25.4	23.0
SLA-6M	6	4.8	12.7	14	15.3	17.7	19.6	27.0	25.1
SLA-8M	8	6.4	14.3	16	16.2	18.6	21.3	28.8	26.8
SLA-10M	10	7.9	17.5	19	17.2	19.5	23.9	31.5	29.5
SLA-12M	12	9.5	20.6	22	22.8	22.0	25.9	36.0	37.6
SLA-15M	15	11.9	23.8	25	24.4	22.0	28.7	38.8	42.6
SLA-16M	16	12.7	23.8	25	24.4	22.0	28.7	38.8	42.6
SLA-18M	18	15.1	27.0	30	24.4	22.0	29.7	39.8	42.6
SLA-20M	20	15.9	31.8	32	26.0	22.0	34.5	42.6	47.2
SLA-22M	22	18.3	31.8	32	26.0	22.0	34.5	42.6	47.2
SLA-25M	25	21.8	34.9	38	31.3	26.5	36.8	49.1	54.3
SLA-28M	28	21.8	41.0	46	36.6	36.6	43.2	64.0	65.0