

Polebox 270 S

next  green

Mounting and installation products E-mobility
EV-charger pole mount
NEXT GREEN - POLEBOX 270 S

Model

E-No:
24 803 65
S-No:
34 079 07

Product name:
Charging box mount Polebox 270 S



Technical specifications

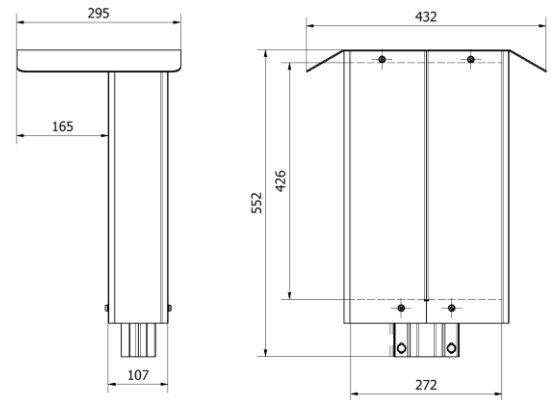
Material Steel, High-strength steel
Color Graphite grey

Dimensions
Weight 10 kg
Height 552 mm
Width 432 mm
Depth 295 mm
Mounting surface 270 mm

Packaging dimensions
Weight 10 kg
Height 570 mm
Width 390 mm
Depth 205 mm

POLEBOX 270 S FEATURES

- For mounting on \varnothing 60 mm steel tubes
- Most of the installation can be prepared indoors
- Robust steel construction
- Distribution block (1.5mm² – 25mm²)
- Prepared for mounting an earth fault circuit breaker, 3G / 4G router
- Powder coated, available in various colors. Contact Next Green for more information.



SELECTION OF COMPATIBLE CHARGING BOXES

- Elinta Homebox
- Elinta Homebox Slim
- DEFA eRange IQ
- Norwesco Refuel
- Zaptec PRO

Next Green Polebox is a pole mount for charging boxes for mounting on a \varnothing 60 mm steel tube. Polebox makes it easy, for example when changing from engine heater location to charging location and can therefore be used to replace an engine heater hood. The product is intended for feeding electrical cables inside the pole tube.

Polebox has a built-in distribution terminal for up to 2 x 5G25 power cable for extending the connection to the next charging post. From the distribution terminal in the Polebox, the respective charging box is then connected using a 5G2.5 rubber cable.

Polebox comes with a DIN rail to suit a residual current circuit breakers and can be fitted with an additional DIN rail for

units such as a Wi-Fi-router or a 3G/4G modem or power supply. Everything fits neatly inside the box. Polebox is made of Swedish steel and powder coated to provide the highest quality.

Polebox is made to fit many different EV-charger models. Screw holes for each charger are drilled upon installation. Polebox is very easy to install. It is prepared indoors by mounting charging boxes and unplugging the wiring from the dispersion terminal. Polebox is then put in place outside on the existing steel tube and the charger hood is lifted and fastened. This provides easy access for screwing supply wires into the plinth.

Suitable for charging boxes with a maximum hole pattern width of 270 mm and 430 mm high.

next  green

Next Green AB
Brudtallsvägen 14
SE-792 32 MORA
SWEDEN

www.nextgreen.se
info@nextgreen.se
Tel: +46 250 50 39 90