

Talis E

Single lever basin mixer 110 without waste set

Finish: **Polished Gold Optic** Article Number: **71784990**



Description

product features

- ComfortZone: 110
- projection: 112 mm
- spout height: 104 mm
- handle variant: lever handle
- maximum flow rate at 3 bar: 5 l/min
- ceramic cartridge
- temperature limitation adjustable
- suitable for continuous flow water heaters
- connection type: G 3/8 hose connections
- connection dimension: DN15
- EU taxonomy: max. 6 l/min - Substantial Contribution (SC) possible

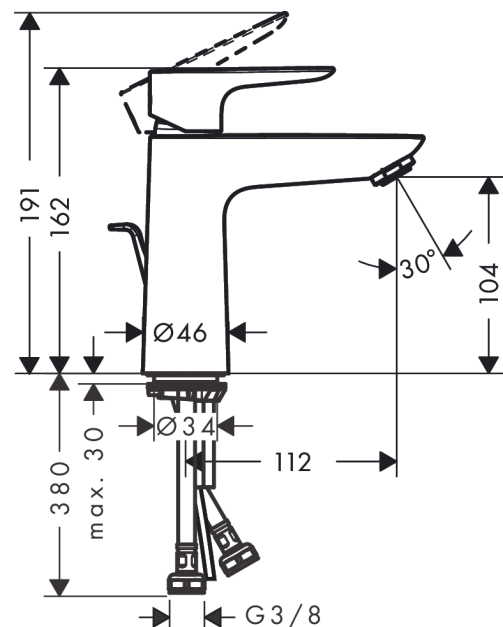
Technology



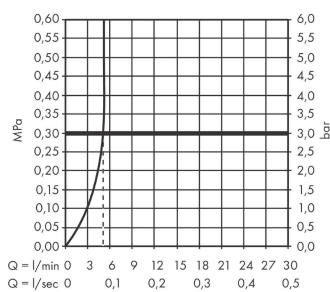
Product image



Scale drawing



Flowchart

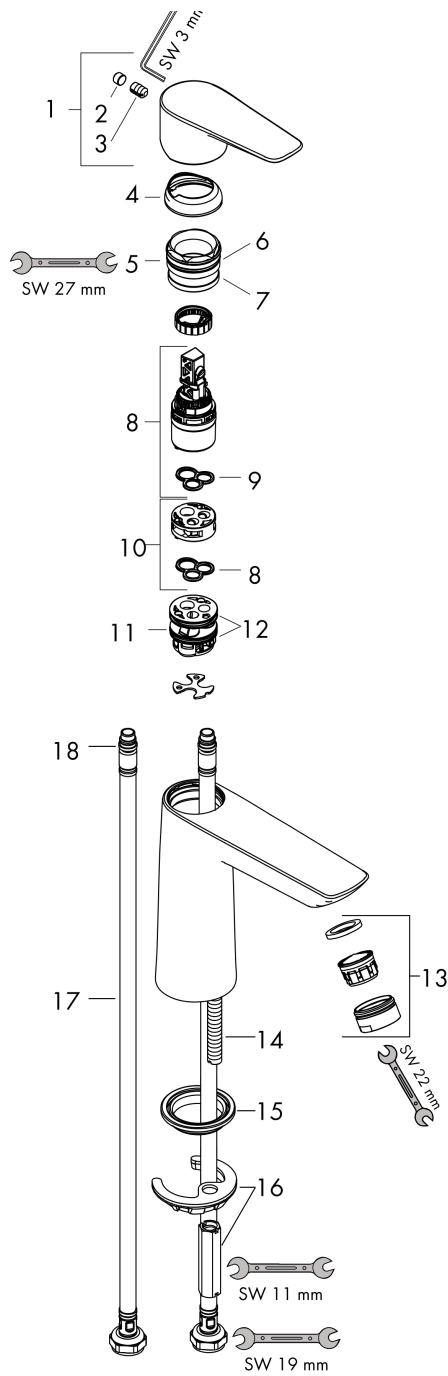


Talis E
Single lever basin mixer 110 without waste set
 Finish: **Polished Gold Optic** Article Number: **71784990**



Exploded Drawing

Year of production: >09/20



Talis E

Single lever basin mixer 110 without waste set

Finish: **Polished Gold Optic** Article Number: **71784990**



Spare part list

Year of production: >09/20

Pos.	Description	Article Number	PC	PU
1	handle	92687990	60	1
2	screw cover	95704000	1	1
3	hollow set screw M6x10 DIN 916	96029000	1	1
4	flange	92625990	58	1
5	nut	92689000	7	1
6	O-ring 25x1,5	98146000	1	1
7	O-ring 27x1,5	92527000	4	1
8	cartridge, assy	97685000	11	1
9	seal	98865000	8	1
10	adapter for cartridge	92628000	6	1
11	adapter for cartridge	98866000	8	1
12	O-ring 23x2	98398000	1	1
13	aerator M24x1 (5 l/min)	13185990	10	1
14	screw M8 x 68	97736000	2	1
15	seal Ø 42	98722000	2	1
16	fixing set	96016000	8	1
17	connection hose 450 mm M8x0,75 G3/8	97206000	8	1
18	O-ring 6,6x1,6	93019000	1	1