

Poleplate 200 A

next  green

Mounting and installation products E-mobility
Charging box mount - pole plate
NEXT GREEN - POLEPLATE 200 A

Model

E-No:
27 001 52
S-No:
34 079 05

Product name:
Charging box holder Poleplate 160 E



POLE PLATE 160 E FEATURES

- Precut hole pattern to suit ABB Terra EV-charger
- For mounting on a \varnothing 60 mm steel tube
- Robust steel construction
- Powder coated, available in various colors. Contact Next Green for more information

Technical specifications

Material
Color

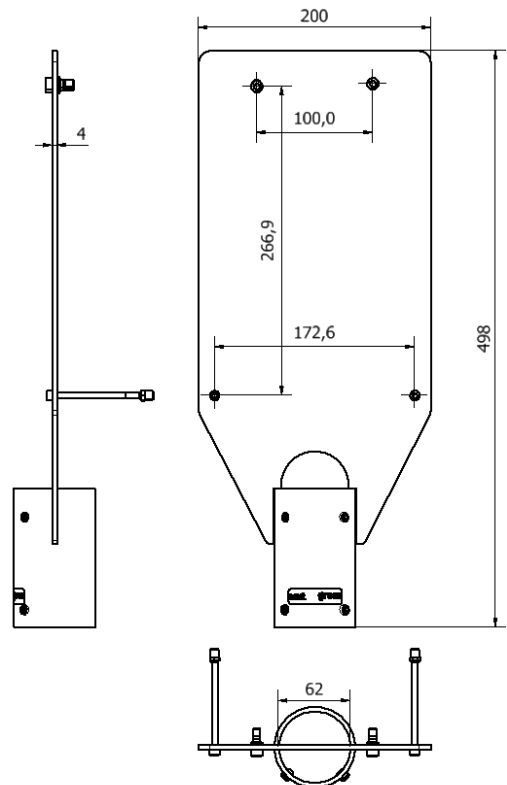
Steel, Powder coated
Graphite grey

Dimensions
Weight
Height
Width

2.0 kg
498 mm
200 mm

Packaging dimensions
Weight
Height
Width
Depth

2.5 kg
560 mm
250 mm
60 mm



Next Green Poleplate 200 A is a charger mount for installation on a \varnothing 60 mm pole. Poleplate is made of Swedish steel and powder coated to provide the highest durability and quality. Poleplate enables easy mounting of a charging box to a steel tube.

Poleplate is manufactured in Sweden for the Nordic climate. It has a powder-coated design to withstand wind and weather. The

Poleplate charging box holder is a cost-effective pole mount. Poleplate 200 A facilitates changing an engine heater station to a charging station and can be used to replace an engine heater central.

next  green

Next Green AB
Brudtallsvägen 14
SE-792 32 MORA
SWEDEN

www.nextgreen.se
info@nextgreen.se
Tel: +46 250 50 39 90