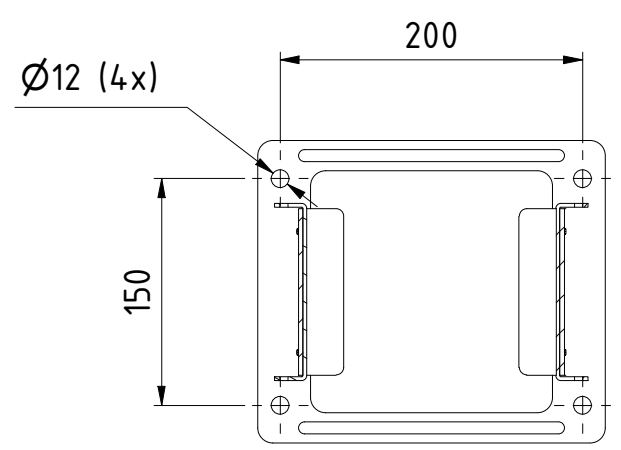
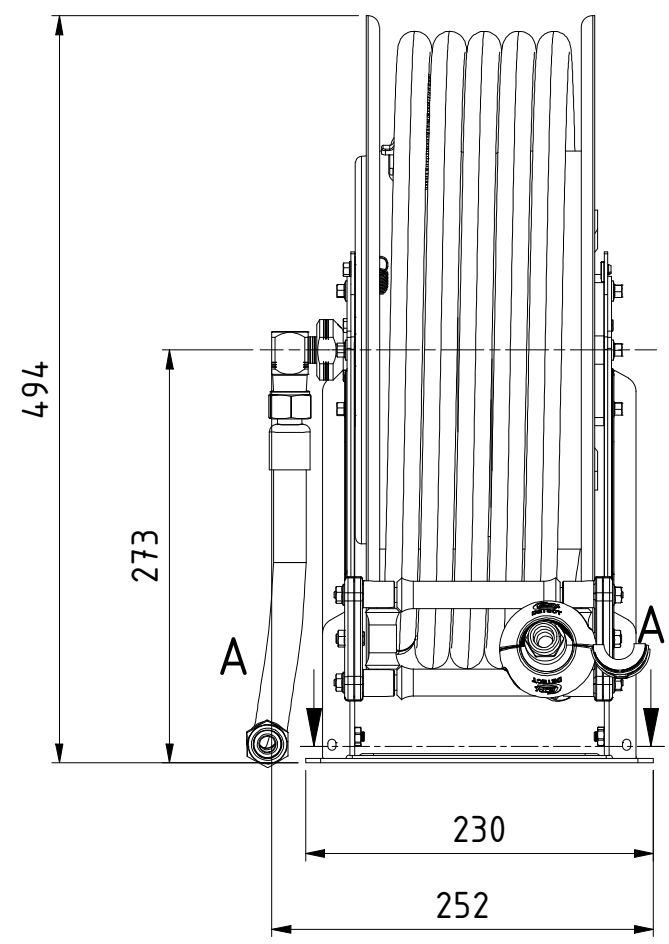
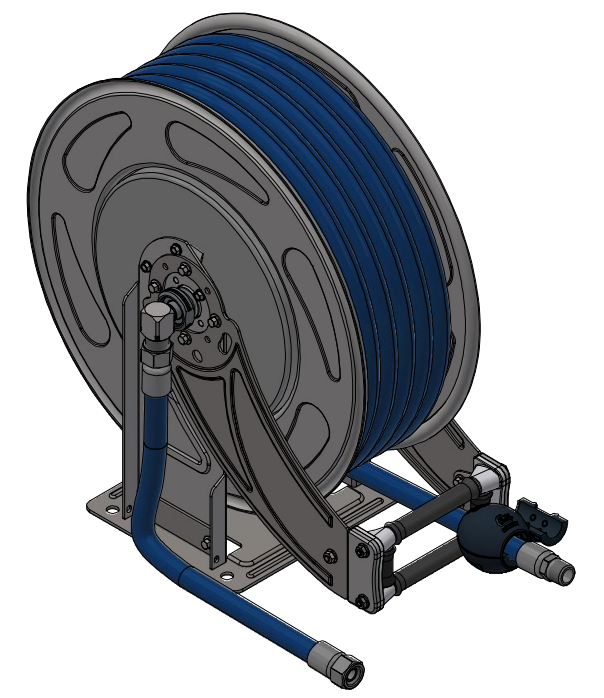
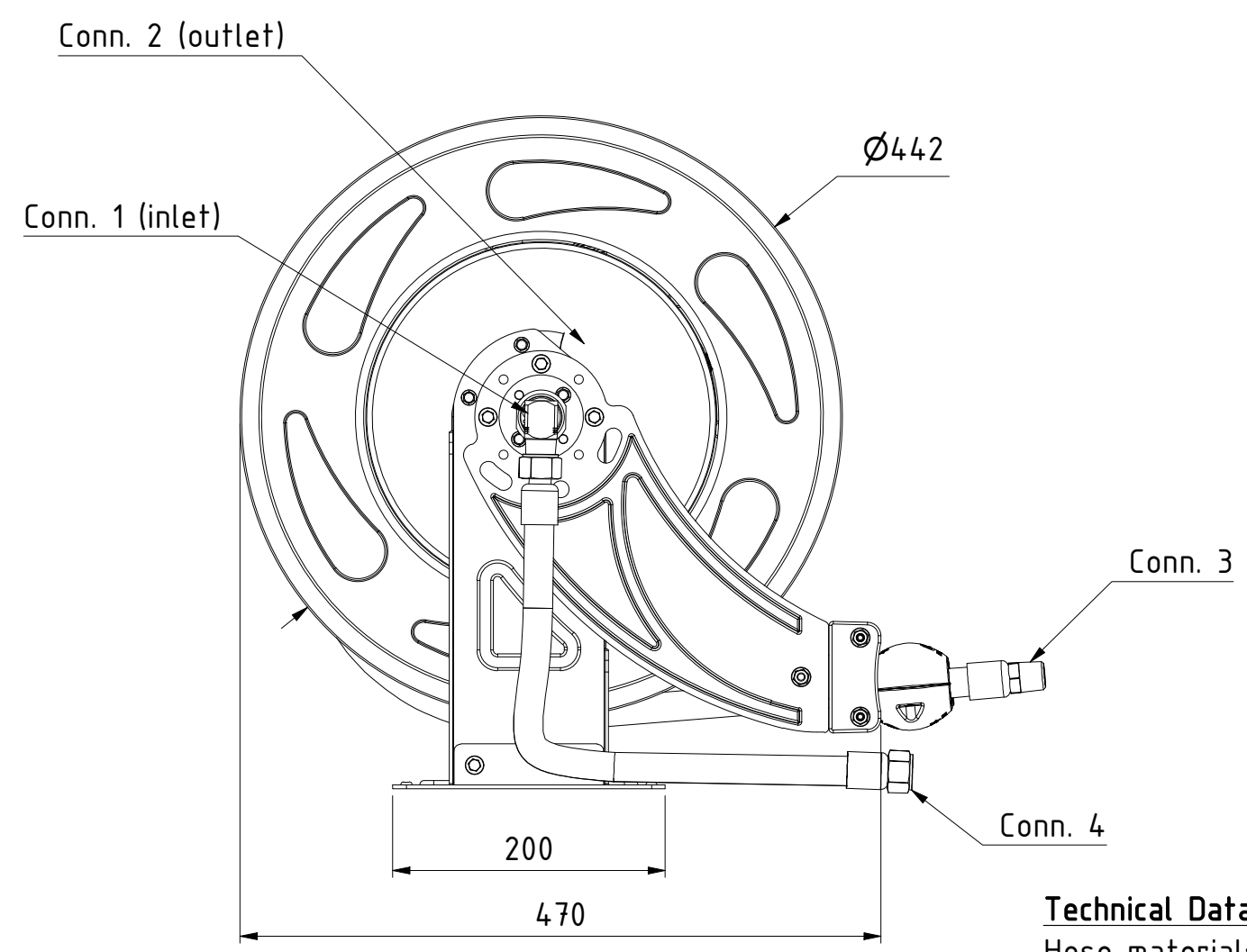


This document must not be copied, either completely or in part, without permission. Any infringement will have legal consequences ©



A-A

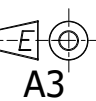


1 : 7

Technical Data:

- Hose material: NBR/PVC
- Fluid temperature: 100°C (212°F) for 2 hours
- Air temperature: -15°C to 100°C (212°F) for 2 hours
- Environment temperature: -15°C to 65°C
- Sealing material: Viton
- Max pressure: 20bar (290PSI)
- Reel material: AISI316
- Hose length: 20m (65ft)
- Feeder hose length: 1m (3ft)
- IDxOD [mm]: 12,7x21,6
- Weight: 32kg
- Hose Reel Connections:
- Conn. 1: R 1/2" male
- Conn. 2: R 1/2" male
- Conn. 3: R 1/2" male
- Conn. 4: G 1/2" fem swivel nut

State Production	Drawn CABALAL	Checked LIJA	Approved OSJO	Date 2026-01-19
Midi+ Open hose reel AISI316 R 1/2" male 20m NBR FDA		ECO 002533	Former No.	Scale 1 : 5
		Drawing No. 199132131		Issue B



A3