

Wallplate

next  green

Mounting and installation products E-mobility
Wall mount
NEXT GREEN - WALLPLATE 250

Model

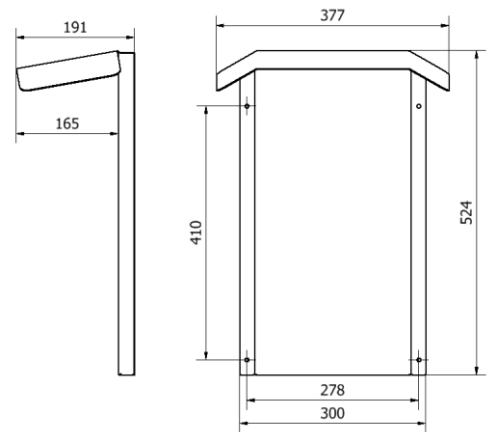
E-No:
24 803 68
S-No:
34 079 02

Product name:
Wallplate 250



WALLPLATE 250 FEATURES

- For mounting an EV-charging station on wall
- Facilitates mounting on uneven surfaces
- Wiring can be done behind the Wallplate
- Protects EV-charging station and the wall
- Powder coated, available in various colors. Contact Next Green for more information



Technical specifications

Material Steel plate
Color Graphite grey

Dimensions

Weight 3 kg
Height 524 mm
Width 377 mm
Depth 191 mm

Packaging dimensions

Weight 3 kg
Height 550 mm
Width 300 mm
Depth 200 mm

Next Green - Wallplate is a universal wall mount for EV-charging stations. Wallplate provides a flat and stable mounting surface even on uneven facades and minimizes stress that can otherwise occur on the back of the charging box. Wallplate is designed to enable assembly of various differently sized charging box models. The integrated roof protects against precipitation. Wallplate provides one solid mount for the charging box. Hole pattern for respective charging box is drilled directly into the Wall plate mount for installation.

SELECTION OF COMPATIBLE CHARGING BOXES

- ABB Terra AC
- Charge Amps Halo
- Easee Home
- Easee Charge
- Elinta Homebox Slim
- Ensto One
- Ensto Home
- Garo GLB
- Wallbox Pulsar
- Wallbox Copper SB
- Wallbox Commander
- Zaptec GO



Accessories

Cable holder for mounting direct on the wall or Wallplate

E number:
24 803 56
S-No:
34 079 00

Name
Cable holder
Daytona T2



next  green

Next Green AB
Brudtallsvägen 14
SE-792 32 MORA
SWEDEN

www.nextgreen.se
info@nextgreen.se
Tel: +46 250 50 39 90