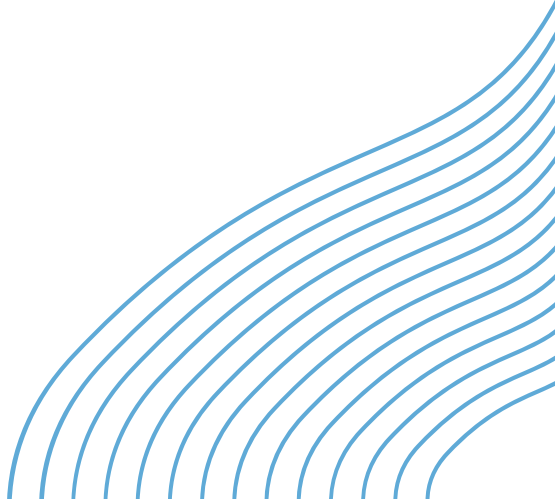


LUFT EC



LUFT EC - 2 PUTKI

LUFT-Q... =



LUFT-R... =



Model	Speed	Qa	Lw	Lp	Cooling	Heating	Page
		[m ³ /h]	[db(A)]		Total [kW]	Total [kW]	
LUFT-Q06-TEC	MIN	560	58	49	3,92	4,72	P.6
LUFT-Q06-TEC	MED	730	61	52	4,84	5,85	P.4
LUFT-Q08-TEC	MIN	590	58	49	4,95	5,51	P.12
LUFT-Q09-TEC	MIN	590	58	49	5,72	5,8	P.18
LUFT-Q06-TEC	MAX	950	64	55	5,85	7,21	P.2
LUFT-Q08-TEC	MED	750	61	52	6,07	6,83	P.10
LUFT-Q09-TEC	MED	750	61	52	7,06	7,31	P.16
LUFT-Q08-TEC	MAX	980	64	55	7,53	8,61	P.8
LUFT-Q09-TEC	MAX	980	64	55	8,85	9,41	P.14
LUFT-R13-TEC	MIN	1350	61	52	10,71	12,23	P.24
LUFT-R13-TEC	MED	1470	64	55	11,53	13,18	P.22
LUFT-R14-TEC	MIN	1350	61	52	12,02	12,91	P.30
LUFT-R13-TEC	MAX	1620	67	58	12,48	14,34	P.20
LUFT-R14-TEC	MED	1470	64	55	12,89	13,98	P.28
LUFT-R14-TEC	MAX	1620	67	58	13,98	15,28	P.26

LUFT KASETTI EC MOOTTORI 2 PUTKI

Yleinen kuvaus

Vesikasetit ovat järjestelmä, joka soveltuu asennettavaksi alakattoihin, joissa vaaditaan miellyttävää estetiikka, niitä on saatavana sähkömoottorilla (EC-versio) alhaisella sähkönkulutuksella tai klassisella sähkömoottorilla (AC-versio) ja 2- tai 4-putkijärjestelmällä.

EC tuulettimen moottori

Ulkoinen roottorityyppi, joka koostuu tasapainotetusta radiaalipyörästä, jossa ABS taaksepäin siivet ja EC elektroninen kommutointimoottori integroidulla elektroniikkakortilla, V230 $\pm 10/1/50-60\text{Hz}$ säätö 2_10 Vdc.

Rakenne

Luftin rakenne on kokonaan galvanoituja peltiä, jossa on 8 mm luokan 1 paloeristys, äänieristys kondensaation ja korroosion muodostumisen välttämiseksi. Koneen sivulle on järjestetty aukko mahdollista ulkoista ilmanottoa varten.

Ilman diffuusiopaneeli

Ilmanhajotuspaneeli koostuu painevaletuista, lämmönkestävästä ja itsestään sammuvasta valkoisesta RAL 9003 ABS -muovista. Sisäisen huollon helpottamiseksi keskipalautussäleikkö on varustettu kiertolukoilla, jotka mahdollistavat helpon avaamisen. Säädettävillä virtaussuuntaisilla eväillä varustetut ilmanvaihtoaukot on sijoitettu sivulle

Suodatin

3 mm paksusta kestävästä muovimateriaalista, luokka EU2-G2-M2. LFA1- ja LFA2-suodattimet on suljettu galvanoituun levyprofiiliin, joka on helppo irrottaa puhdistusta ja huoltoa varten.

Lohko

Vesikierukka kupariputkea, tehokkaat alumiinirivat hydrofiilisellä käsittelyllä, saatavana 2-putkijärjestelmiin (2, 3 tai 4R kylmä/kuuma) ja 4-putkijärjestelmiin (2 tai 3R kylmä ja 1 kuuma rivi). Mukana tukevat DN $\frac{3}{4}$ " ja DN $\frac{3}{4}+\frac{3}{4}$ " naaraskaasujakoputket (2- ja 4-putkijärjestelmät) sekä manuaalinen ilma- ja tyhjennysventtiili. Maksimi käyttöpaine 10 Bar, käyttölämpötila min 4°C - max 80°C.

Kondenssivedenpoistoryhmä

Kondenssiveden poisto DN 16 mm, varustettu keskipakopumpulla, joka on suunniteltu takaamaan kondenssiveden tehokkaan ja äänettömän poiston, yhdistettynä sähkömekaaniseen uimuriin, jossa on hälytyskosketin pumpun tukoksen sattuessa.

Ylimääräinen kondenssivesiallas

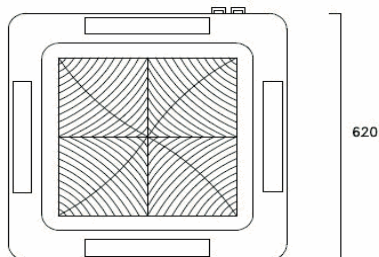
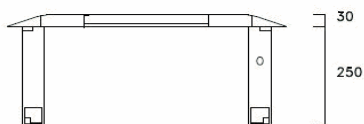
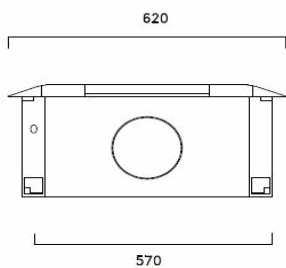
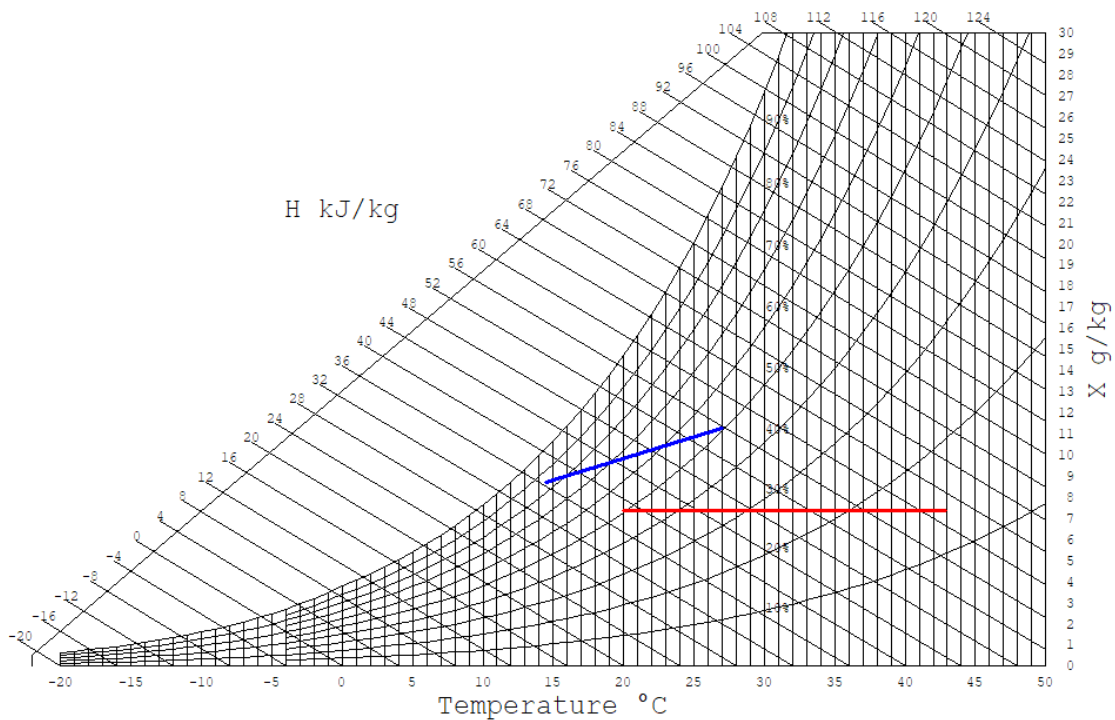
Jos yksikköön on asennettu venttiilisarjoja, on asennettava lisävarusteena oleva apuallas VAL1 tai VAL2, lauhteenpoisto DN 16 mm, ABS-muovista.

Veden termostaatti

Jos yksikkö toimitetaan LTMB-langaton kaukosäätimen kanssa, kuuman veden lupatermostaatti on asennettu vakiona lämmitystilaan. Siksi on välttämätöntä, että kuuman veden lämpötila on vähintään 40 °C, jotta puhallin toimii.

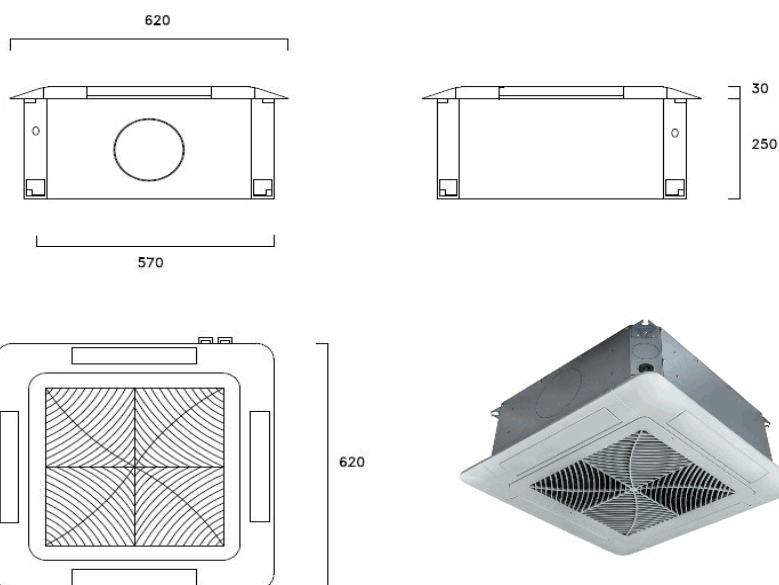
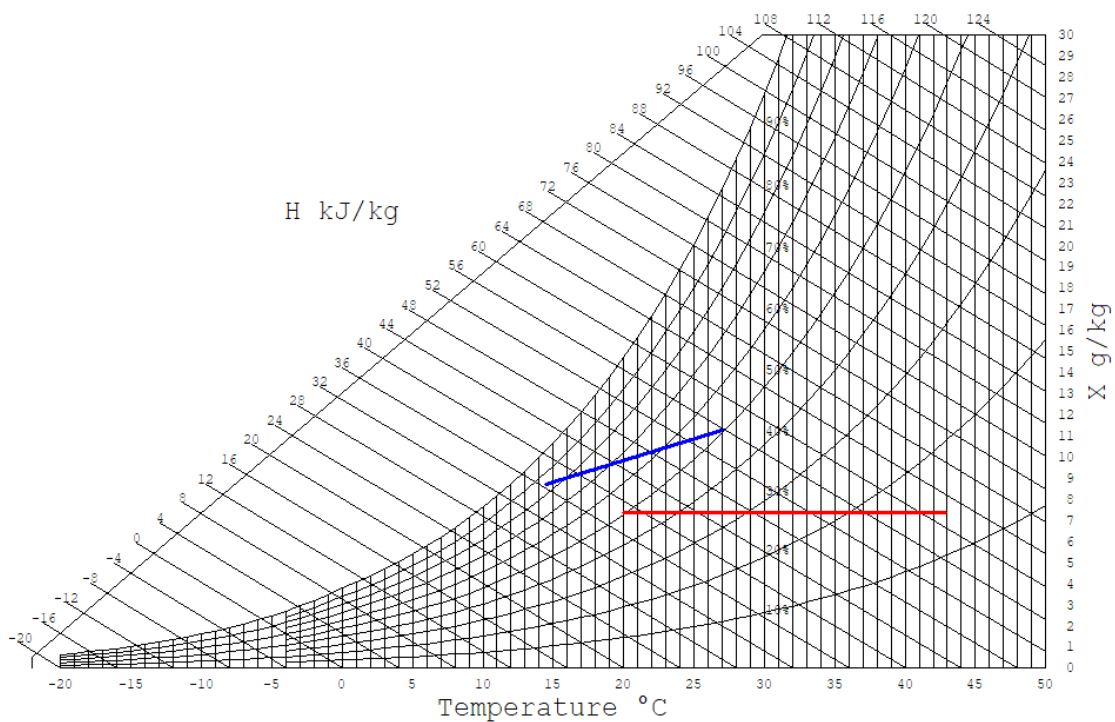
LUFT-Q06-TEC

Cooling				Heating				
Capacity								
Total Capacity		[kW]	5,85	Total Capacity		[kW]	7,21	
Sensible Capacity		[kW]	3,83					
Condensed Water		[l/h]	2,84					
Rows								
Number		[n°]	2	Number		[n°]	2	
Air								
Inlet	DBT	[°C]	27,0	Inlet	DBT	[°C]	20,0	
	WBT	[°C]	19,5					
	RH	[%]	50					
Outlet	DBT	[°C]	14,5	Outlet	DBT	[°C]	42,9	
	WBT	[°C]	13,0					
	RH	[%]	84					
Flow rate		[m³/h]	950	Flow rate		[m³/h]	950	
Power supply Vdc		[V]	10	Power supply Vdc		[V]	10	
Air velocity		[m/s]	0,96	Air velocity		[m/s]	0,96	
Air Pressure Drop		[Pa]	11,2	Air Pressure Drop		[Pa]	7,4	
Water								
Flow rate		[l/h]	1003,41	Flow rate		[l/h]	1003,41	
Pressure drop		[kPa]	13,8	Pressure drop		[kPa]	11,7	
Temperature	Inlet	[°C]	7,0	Temperature	Inlet	[°C]	50,0	
	Outlet	[°C]	12,0		Outlet	[°C]	43,6	
Water			Water	Water			Water	
Dimensions and Weight				Other Data				
Max Width		[mm]	570	Power supply		[V-ph-Hz]	V230/1/50	
Max Height		[mm]	250	Absorbed power (max **)		[W]	68	
Max Thickness		[mm]	570	Absorbed current (max **)		[A]	0,57	
Indicative Weight		[kg]	20,2	Sound pressure level (Lp=Lw-RA)		[dB(A)]	55,0	
				Sound power level (Lw) air delivery		[dB(A)]	64,0	
				Static Pressure available		[Pa]	0,000	



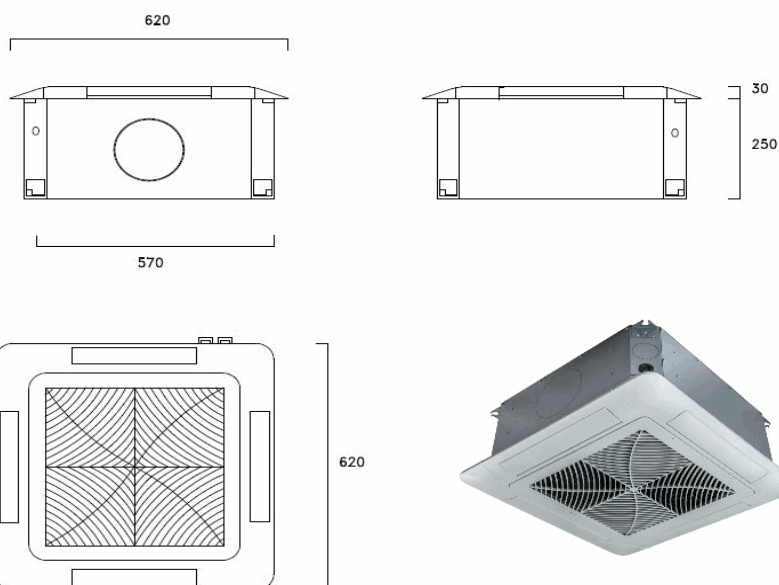
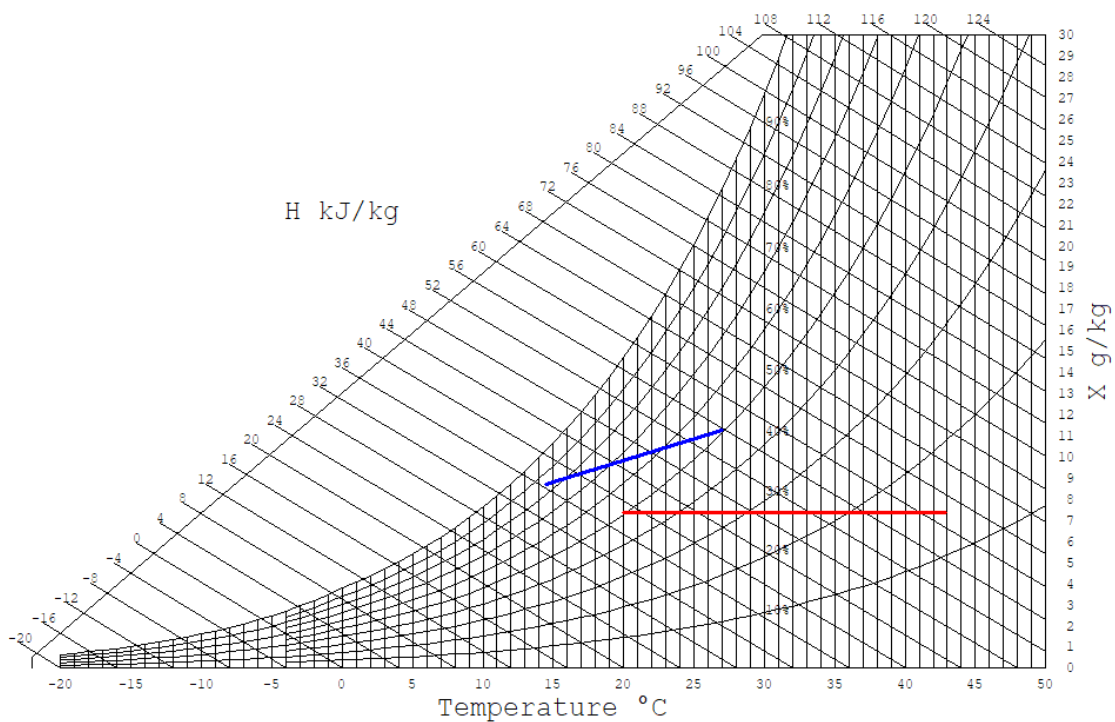
LUFT-Q06-TEC

Cooling				Heating				
Capacity								
Total Capacity		[kW]	4,84	Total Capacity		[kW]	5,85	
Sensible Capacity		[kW]	3,17					
Condensed Water		[l/h]	2,31					
Rows								
Number		[n°]	2	Number		[n°]	2	
Air								
Inlet	DBT	[°C]	27,0	Inlet	DBT	[°C]	20,0	
	WBT	[°C]	19,5					
	RH	[%]	50					
Outlet	DBT	[°C]	13,6	Outlet	DBT	[°C]	44,1	
	WBT	[°C]	12,4					
	RH	[%]	87					
Flow rate		[m³/h]	730	Flow rate		[m³/h]	730	
Power supply Vdc		[V]	8	Power supply Vdc		[V]	8	
Air velocity		[m/s]	0,74	Air velocity		[m/s]	0,74	
Air Pressure Drop		[Pa]	7,9	Air Pressure Drop		[Pa]	5,2	
Water								
Flow rate		[l/h]	830,07	Flow rate		[l/h]	830,07	
Pressure drop		[kPa]	9,7	Pressure drop		[kPa]	8,2	
Temperature	Inlet	[°C]	7,0	Temperature	Inlet	[°C]	50,0	
	Outlet	[°C]	12,0		Outlet	[°C]	43,7	
Water			Water	Water			Water	
Dimensions and Weight				Other Data				
Max Width		[mm]	570	Power supply		[V-ph-Hz]	V230/1/50	
Max Height		[mm]	250	Absorbed power (max **)		[W]	68	
Max Thickness		[mm]	570	Absorbed current (max **)		[A]	0,57	
				Sound pressure level (Lp=Lw-RA)		[dB(A)]	52,0	
				Sound power level (Lw) air delivery		[dB(A)]	61,0	
Indicative Weight		[kg]	20,2	Static Pressure available		[Pa]	0,000	



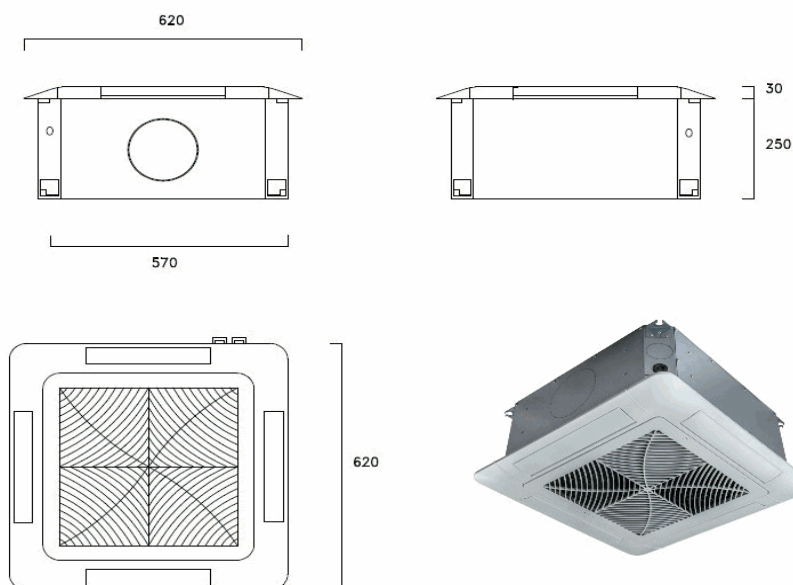
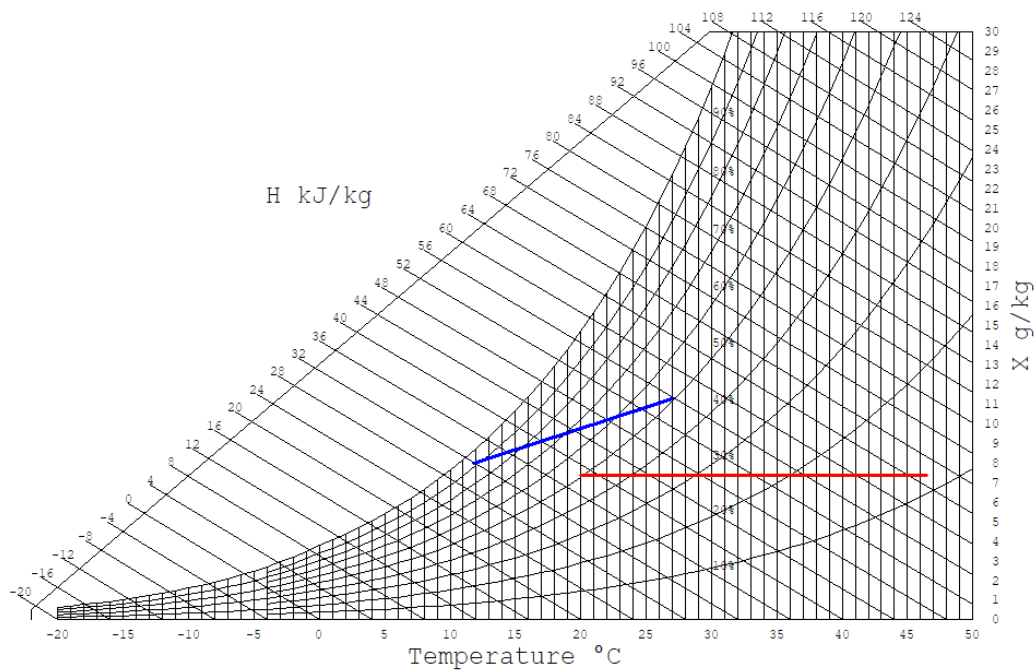
LUFT-Q06-TEC

Cooling				Heating				
Capacity								
Total Capacity		[kW]	3,92	Total Capacity		[kW]	4,72	
Sensible Capacity		[kW]	2,58					
Condensed Water		[l/h]	1,83					
Rows								
Number		[n°]	2	Number		[n°]	2	
Air								
Inlet	DBT	[°C]	27,0	Inlet	DBT	[°C]	20,0	
	WBT	[°C]	19,5					
	RH	[%]	50					
Outlet	DBT	[°C]	12,7	Outlet	DBT	[°C]	45,4	
	WBT	[°C]	11,9					
	RH	[%]	91					
Flow rate		[m³/h]	560	Flow rate		[m³/h]	560	
Power supply Vdc		[V]	6	Power supply Vdc		[V]	6	
Air velocity		[m/s]	0,57	Air velocity		[m/s]	0,57	
Air Pressure Drop		[Pa]	5,6	Air Pressure Drop		[Pa]	3,7	
Water								
Flow rate		[l/h]	672,85	Flow rate		[l/h]	672,85	
Pressure drop		[kPa]	6,6	Pressure drop		[kPa]	5,6	
Temperature	Inlet	[°C]	7,0	Temperature	Inlet	[°C]	50,0	
	Outlet	[°C]	12,0		Outlet	[°C]	43,8	
Water			Water	Water			Water	
Dimensions and Weight				Other Data				
Max Width		[mm]	570	Power supply		[V-ph-Hz]	V230/1/50	
Max Height		[mm]	250	Absorbed power (max **)		[W]	68	
Max Thickness		[mm]	570	Absorbed current (max **)		[A]	0,57	
Indicative Weight		[kg]	20,2	Sound pressure level (Lp=Lw-RA)		[dB(A)]	49,0	
				Sound power level (Lw) air delivery		[dB(A)]	58,0	
				Static Pressure available		[Pa]	0,000	



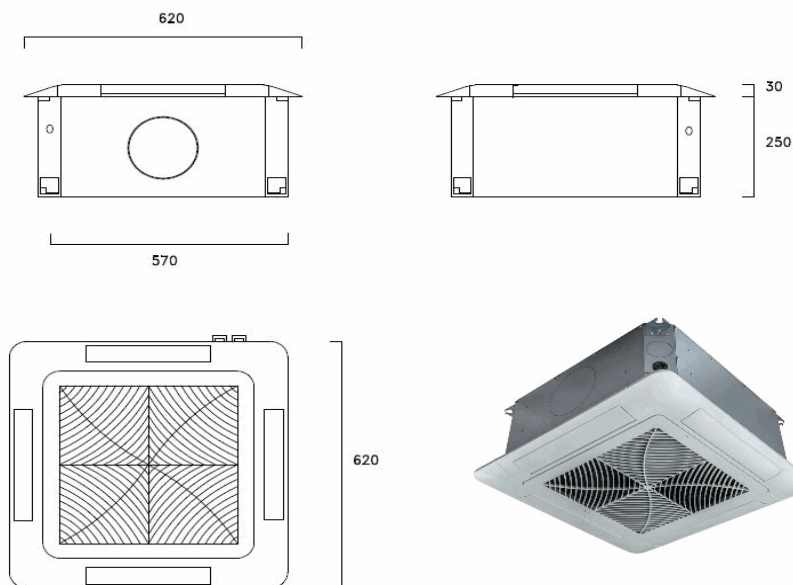
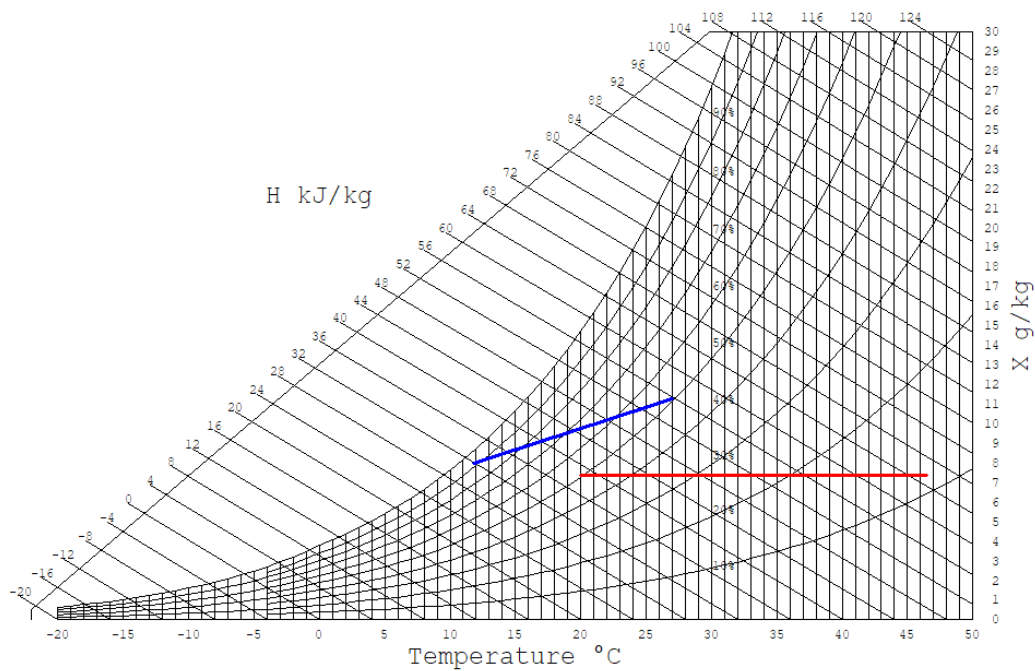
LUFT-Q08-TEC

Cooling				Heating				
Capacity								
Total Capacity		[kW]	7,53	Total Capacity		[kW]	8,61	
Sensible Capacity		[kW]	4,82					
Condensed Water		[l/h]	3,74					
Rows								
Number		[n°]	3	Number		[n°]	3	
Air								
Inlet	DBT	[°C]	27,0	Inlet	DBT	[°C]	20,0	
	WBT	[°C]	19,5					
	RH	[%]	50					
Outlet	DBT	[°C]	11,8	Outlet	DBT	[°C]	46,5	
	WBT	[°C]	11,1					
	RH	[%]	92					
Flow rate		[m³/h]	980	Flow rate		[m³/h]	980	
Power supply Vdc		[V]	10	Power supply Vdc		[V]	10	
Air velocity		[m/s]	0,99	Air velocity		[m/s]	0,99	
Air Pressure Drop		[Pa]	17,7	Air Pressure Drop		[Pa]	11,4	
Water								
Flow rate		[l/h]	1292,62	Flow rate		[l/h]	1292,62	
Pressure drop		[kPa]	30,7	Pressure drop		[kPa]	25,9	
Temperature	Inlet	[°C]	7,0	Temperature	Inlet	[°C]	50,0	
	Outlet	[°C]	12,0		Outlet	[°C]	44,1	
Water			Water	Water			Water	
Dimensions and Weight				Other Data				
Max Width		[mm]	570	Power supply		[V-ph-Hz]	V230/1/50	
Max Height		[mm]	250	Absorbed power (max **)		[W]	68	
Max Thickness		[mm]	570	Absorbed current (max **)		[A]	0,57	
Indicative Weight		[kg]	21,2	Sound pressure level (Lp=Lw-RA)		[dB(A)]	55,0	
				Sound power level (Lw) air delivery		[dB(A)]	64,0	
				Static Pressure available		[Pa]	0,000	



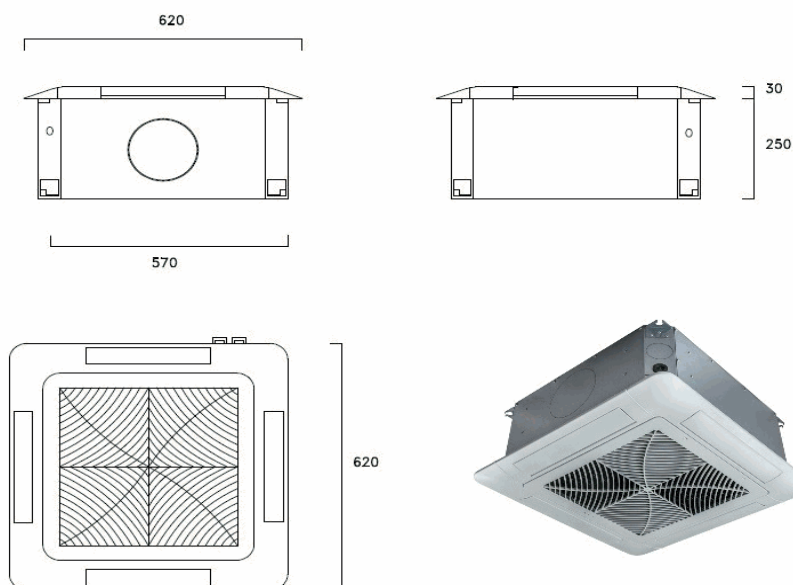
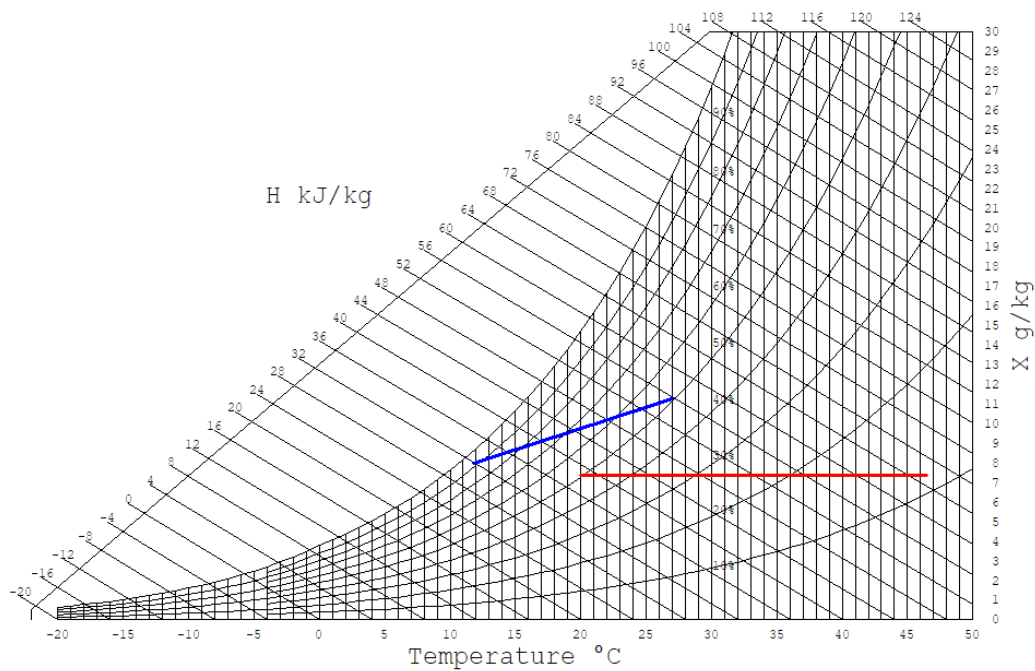
LUFT-Q08-TEC

Cooling				Heating				
Capacity								
Total Capacity		[kW]	6,07	Total Capacity		[kW]	6,83	
Sensible Capacity		[kW]	3,90					
Condensed Water		[l/h]	2,98					
Rows								
Number		[n°]	3	Number		[n°]	3	
Air								
Inlet	DBT	[°C]	27,0	Inlet	DBT	[°C]	20,0	
	WBT	[°C]	19,5					
	RH	[%]	50					
Outlet	DBT	[°C]	10,9	Outlet	DBT	[°C]	47,4	
	WBT	[°C]	10,6					
	RH	[%]	96					
Flow rate		[m³/h]	750	Flow rate		[m³/h]	750	
Power supply Vdc		[V]	8	Power supply Vdc		[V]	8	
Air velocity		[m/s]	0,76	Air velocity		[m/s]	0,76	
Air Pressure Drop		[Pa]	12,4	Air Pressure Drop		[Pa]	8,0	
Water								
Flow rate		[l/h]	1042,01	Flow rate		[l/h]	1042,01	
Pressure drop		[kPa]	20,7	Pressure drop		[kPa]	17,4	
Temperature	Inlet	[°C]	7,0	Temperature	Inlet	[°C]	50,0	
	Outlet	[°C]	12,0		Outlet	[°C]	44,2	
Water			Water	Water			Water	
Dimensions and Weight				Other Data				
Max Width		[mm]	570	Power supply		[V-ph-Hz]	V230/1/50	
Max Height		[mm]	250	Absorbed power (max **)		[W]	68	
Max Thickness		[mm]	570	Absorbed current (max **)		[A]	0,57	
				Sound pressure level (Lp=Lw-RA)		[dB(A)]	52,0	
				Sound power level (Lw) air delivery		[dB(A)]	61,0	
Indicative Weight		[kg]	21,2	Static Pressure available		[Pa]	0,000	



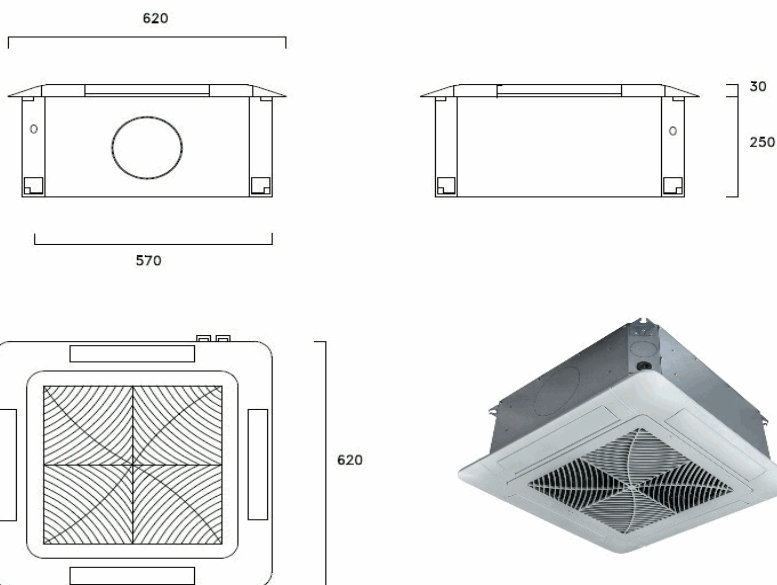
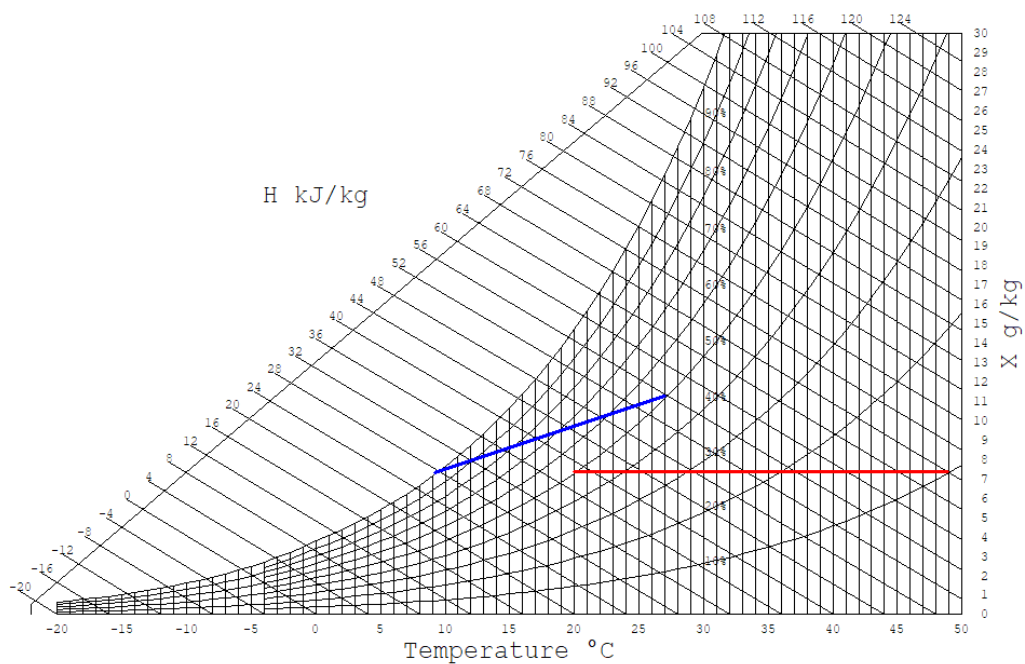
LUFT-Q08-TEC

Cooling				Heating				
Capacity								
Total Capacity		[kW]	4,95	Total Capacity		[kW]	5,51	
Sensible Capacity		[kW]	3,21					
Condensed Water		[l/h]	2,41					
Rows								
Number		[n°]	3	Number		[n°]	3	
Air								
Inlet	DBT	[°C]	27,0	Inlet	DBT	[°C]	20,0	
	WBT	[°C]	19,5					
	RH	[%]	50					
Outlet	DBT	[°C]	10,2	Outlet	DBT	[°C]	48,1	
	WBT	[°C]	10,2					
	RH	[%]	99					
Flow rate		[m³/h]	590	Flow rate		[m³/h]	590	
Power supply Vdc		[V]	6	Power supply Vdc		[V]	6	
Air velocity		[m/s]	0,60	Air velocity		[m/s]	0,60	
Air Pressure Drop		[Pa]	9,1	Air Pressure Drop		[Pa]	5,9	
Water								
Flow rate		[l/h]	849,19	Flow rate		[l/h]	849,19	
Pressure drop		[kPa]	14,3	Pressure drop		[kPa]	12,0	
Temperature	Inlet	[°C]	7,0	Temperature	Inlet	[°C]	50,0	
	Outlet	[°C]	12,0		Outlet	[°C]	44,2	
Water			Water	Water			Water	
Dimensions and Weight				Other Data				
Max Width		[mm]	570	Power supply		[V-ph-Hz]	V230/1/50	
Max Height		[mm]	250	Absorbed power (max **)		[W]	68	
Max Thickness		[mm]	570	Absorbed current (max **)		[A]	0,57	
				Sound pressure level (Lp=Lw-RA)		[dB(A)]	49,0	
				Sound power level (Lw) air delivery		[dB(A)]	58,0	
Indicative Weight		[kg]	21,2	Static Pressure available		[Pa]	0,000	



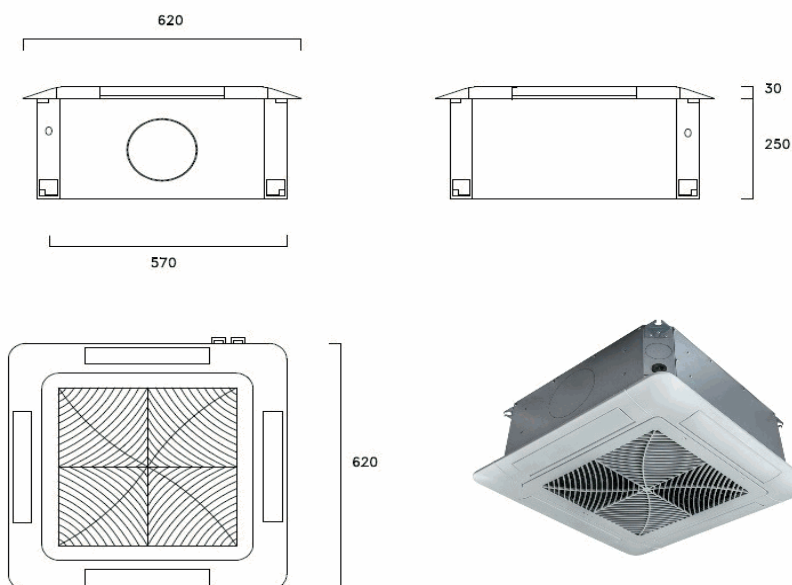
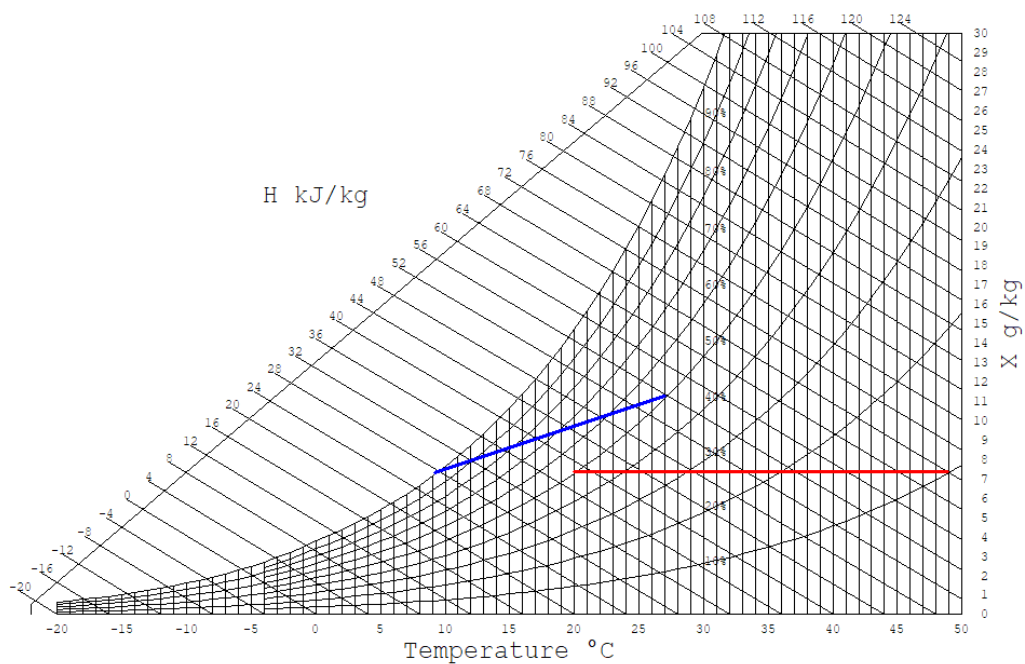
LUFT-Q09-TEC

Cooling				Heating				
Capacity								
Total Capacity		[kW]	8,85	Total Capacity		[kW]	9,41	
Sensible Capacity		[kW]	5,63					
Condensed Water		[l/h]	4,49					
Rows								
Number		[n°]	4	Number		[n°]	4	
Air								
Inlet	DBT	[°C]	27,0	Inlet	DBT	[°C]	20,0	
	WBT	[°C]	19,5					
	RH	[%]	50					
Outlet	DBT	[°C]	9,2	Outlet	DBT	[°C]	48,9	
	WBT	[°C]	9,2					
	RH	[%]	100					
Flow rate		[m³/h]	980	Flow rate		[m³/h]	980	
Power supply Vdc		[V]	10	Power supply Vdc		[V]	10	
Air velocity		[m/s]	0,74	Air velocity		[m/s]	0,74	
Air Pressure Drop		[Pa]	16,3	Air Pressure Drop		[Pa]	10,4	
Water								
Flow rate		[l/h]	1519,31	Flow rate		[l/h]	1519,31	
Pressure drop		[kPa]	39,3	Pressure drop		[kPa]	32,9	
Temperature	Inlet	[°C]	7,0	Temperature	Inlet	[°C]	50,0	
	Outlet	[°C]	12,0		Outlet	[°C]	44,5	
Water			Water	Water			Water	
Dimensions and Weight				Other Data				
Max Width		[mm]	570	Power supply		[V-ph-Hz]	V230/1/50	
Max Height		[mm]	250	Absorbed power (max **)		[W]	68	
Max Thickness		[mm]	570	Absorbed current (max **)		[A]	0,57	
				Sound pressure level (Lp=Lw-RA)		[dB(A)]	55,0	
				Sound power level (Lw) air delivery		[dB(A)]	64,0	
Indicative Weight		[kg]	22,2	Static Pressure available		[Pa]	0,000	



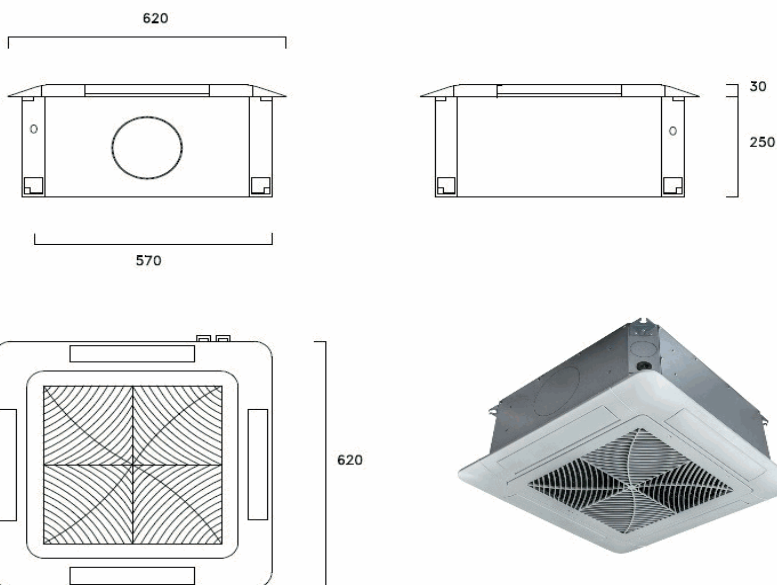
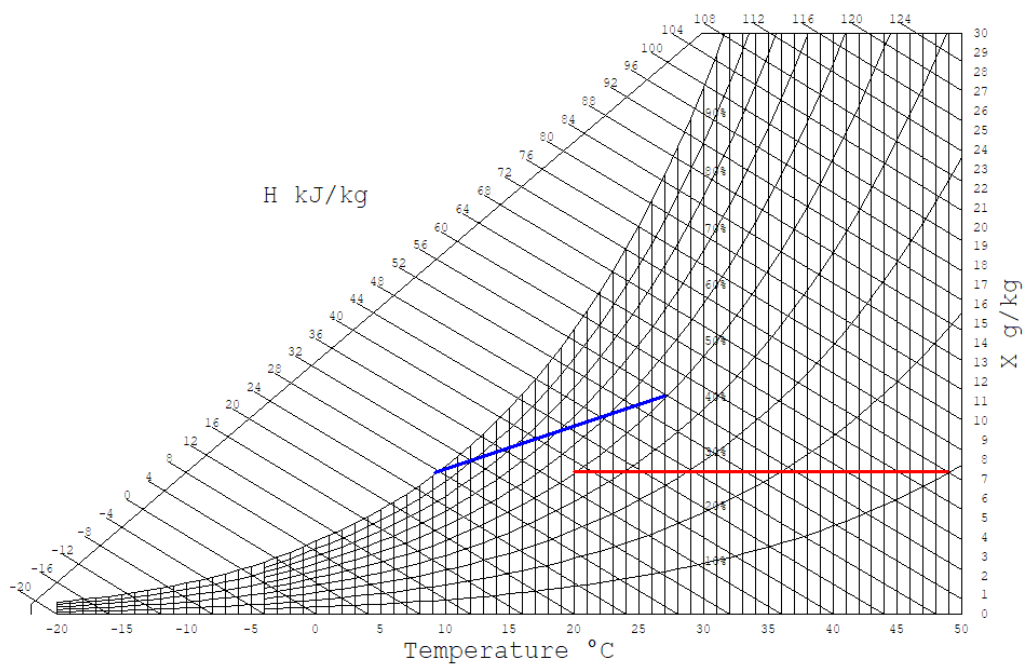
LUFT-Q09-TEC

Cooling				Heating				
Capacity								
Total Capacity		[kW]	7,06	Total Capacity		[kW]	7,31	
Sensible Capacity		[kW]	4,43					
Condensed Water		[l/h]	3,66					
Rows								
Number		[n°]	4	Number		[n°]	4	
Air								
Inlet	DBT	[°C]	27,0	Inlet	DBT	[°C]	20,0	
	WBT	[°C]	19,5					
	RH	[%]	50					
Outlet	DBT	[°C]	8,7	Outlet	DBT	[°C]	49,3	
	WBT	[°C]	8,7					
	RH	[%]	100					
Flow rate		[m³/h]	750	Flow rate		[m³/h]	750	
Power supply Vdc		[V]	8	Power supply Vdc		[V]	8	
Air velocity		[m/s]	0,57	Air velocity		[m/s]	0,57	
Air Pressure Drop		[Pa]	11,9	Air Pressure Drop		[Pa]	7,4	
Water								
Flow rate		[l/h]	1211,79	Flow rate		[l/h]	1211,79	
Pressure drop		[kPa]	26,1	Pressure drop		[kPa]	21,8	
Temperature	Inlet	[°C]	7,0	Temperature	Inlet	[°C]	50,0	
	Outlet	[°C]	12,0		Outlet	[°C]	44,6	
Water			Water	Water			Water	
Dimensions and Weight				Other Data				
Max Width		[mm]	570	Power supply		[V-ph-Hz]	V230/1/50	
Max Height		[mm]	250	Absorbed power (max **)		[W]	68	
Max Thickness		[mm]	570	Absorbed current (max **)		[A]	0,57	
				Sound pressure level (Lp=Lw-RA)		[dB(A)]	52,0	
				Sound power level (Lw) air delivery		[dB(A)]	61,0	
Indicative Weight		[kg]	22,2	Static Pressure available		[Pa]	0,000	



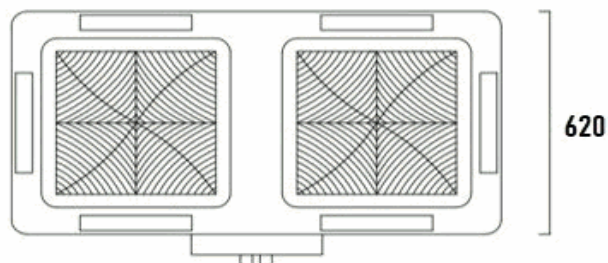
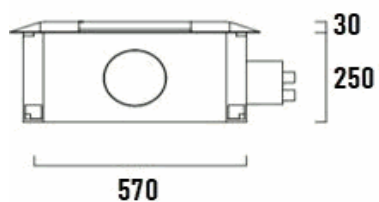
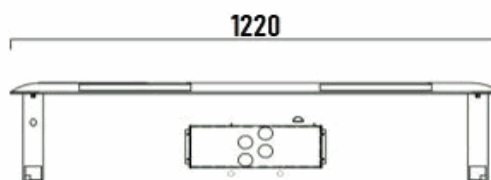
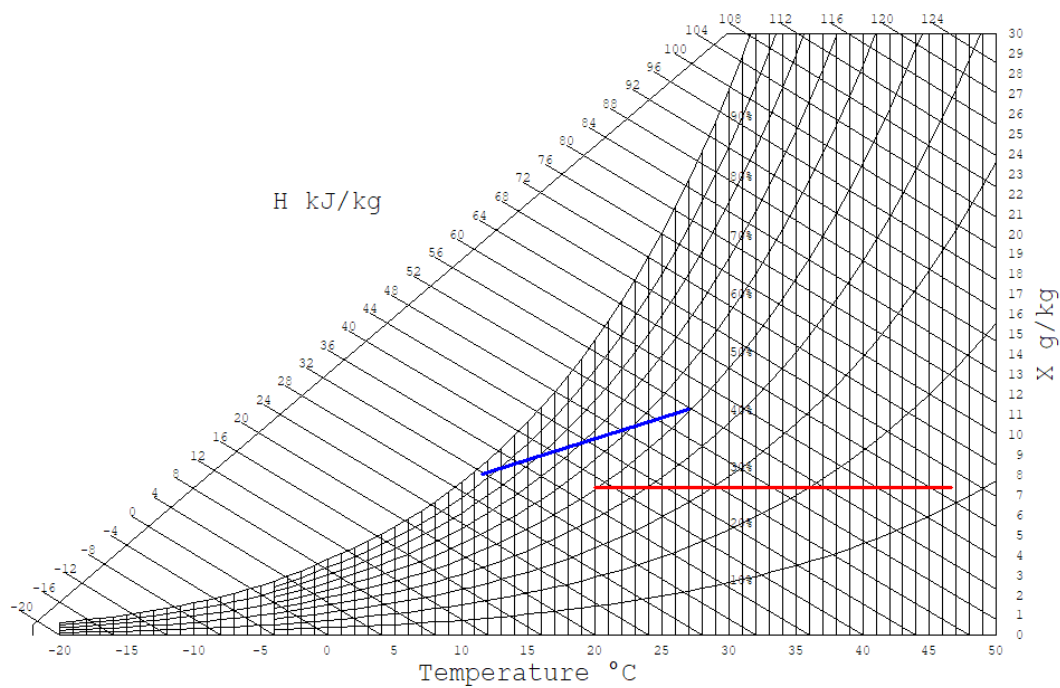
LUFT-Q09-TEC

Cooling				Heating				
Capacity								
Total Capacity		[kW]	5,72	Total Capacity		[kW]	5,80	
Sensible Capacity		[kW]	3,56					
Condensed Water		[l/h]	3,01					
Rows								
Number		[n°]	4	Number		[n°]	4	
Air								
Inlet	DBT	[°C]	27,0	Inlet	DBT	[°C]	20,0	
	WBT	[°C]	19,5					
	RH	[%]	50					
Outlet	DBT	[°C]	8,3	Outlet	DBT	[°C]	49,6	
	WBT	[°C]	8,3					
	RH	[%]	100					
Flow rate		[m³/h]	590	Flow rate		[m³/h]	590	
Power supply Vdc		[V]	6	Power supply Vdc		[V]	6	
Air velocity		[m/s]	0,45	Air velocity		[m/s]	0,45	
Air Pressure Drop		[Pa]	9,0	Air Pressure Drop		[Pa]	5,6	
Water								
Flow rate		[l/h]	982,11	Flow rate		[l/h]	982,11	
Pressure drop		[kPa]	17,8	Pressure drop		[kPa]	14,8	
Temperature	Inlet	[°C]	7,0	Temperature	Inlet	[°C]	50,0	
	Outlet	[°C]	12,0		Outlet	[°C]	44,8	
Water			Water	Water			Water	
Dimensions and Weight				Other Data				
Max Width		[mm]	570	Power supply		[V-ph-Hz]	V230/1/50	
Max Height		[mm]	250	Absorbed power (max **)		[W]	68	
Max Thickness		[mm]	570	Absorbed current (max **)		[A]	0,57	
				Sound pressure level (Lp=Lw-RA)		[dB(A)]	49,0	
				Sound power level (Lw) air delivery		[dB(A)]	58,0	
Indicative Weight		[kg]	22,2	Static Pressure available		[Pa]	0,000	



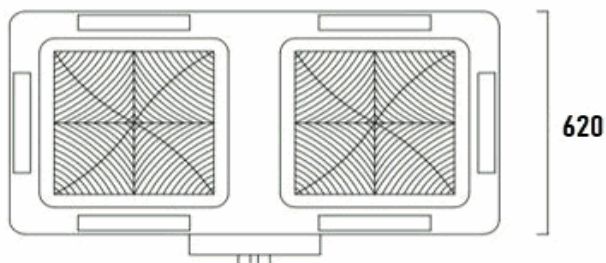
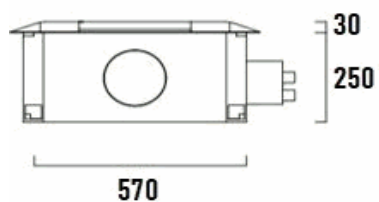
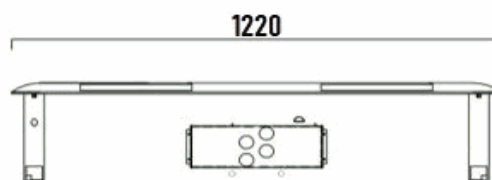
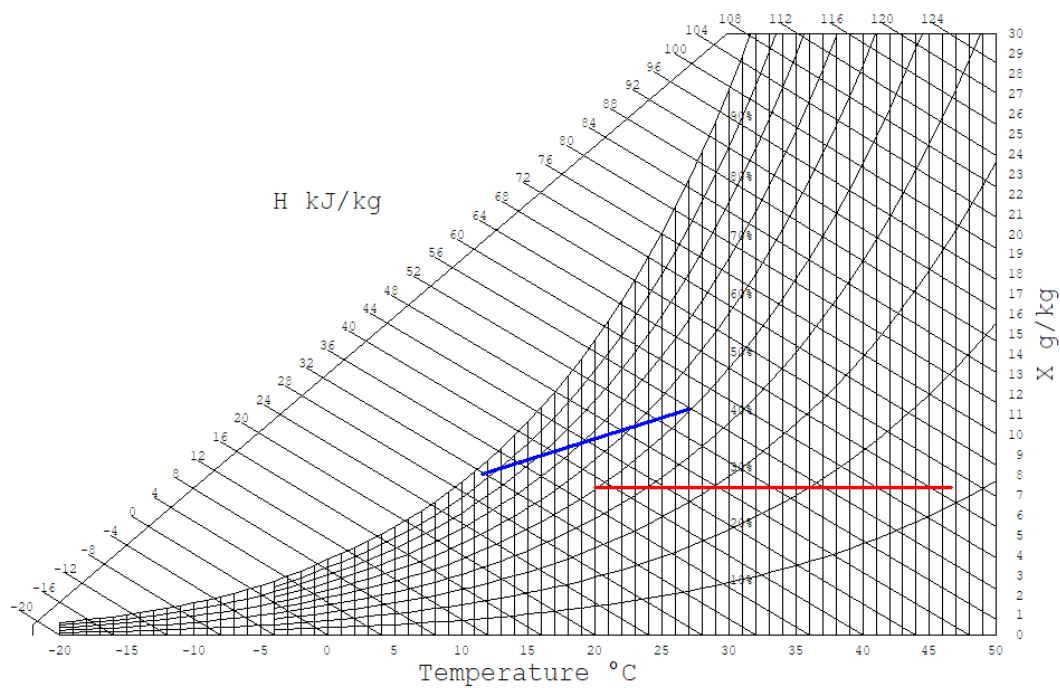
LUFT-R13-TEC

Cooling				Heating				
Capacity								
Total Capacity		[kW]	12,48	Total Capacity		[kW]	14,34	
Sensible Capacity		[kW]	8,07					
Condensed Water		[l/h]	6,10					
Rows								
Number		[n°]	3	Number		[n°]	3	
Air								
Inlet	DBT	[°C]	27,0	Inlet	DBT	[°C]	20,0	
	WBT	[°C]	19,5					
	RH	[%]	50					
Outlet	DBT	[°C]	11,6	Outlet	DBT	[°C]	46,6	
	WBT	[°C]	11,1					
	RH	[%]	94					
Flow rate		[m³/h]	1620	Flow rate		[m³/h]	1620	
Power supply Vdc		[V]	10	Power supply Vdc		[V]	10	
Air velocity		[m/s]	0,92	Air velocity		[m/s]	0,92	
Air Pressure Drop		[Pa]	15,9	Air Pressure Drop		[Pa]	10,4	
Water								
Flow rate		[l/h]	2141,33	Flow rate		[l/h]	2141,33	
Pressure drop		[kPa]	21,8	Pressure drop		[kPa]	18,3	
Temperature	Inlet	[°C]	7,0	Temperature	Inlet	[°C]	50,0	
	Outlet	[°C]	12,0		Outlet	[°C]	44,0	
Water			Water	Water			Water	
Dimensions and Weight				Other Data				
Max Width		[mm]	1170	Power supply		[V-ph-Hz]	V230/1/50	
Max Height		[mm]	250	Absorbed power (max **)		[W]	144	
Max Thickness		[mm]	570	Absorbed current (max **)		[A]	1,01	
				Sound pressure level (Lp=Lw-RA)		[dB(A)]	58,0	
				Sound power level (Lw) air delivery		[dB(A)]	67,0	
Indicative Weight		[kg]	40	Static Pressure available		[Pa]	0,000	



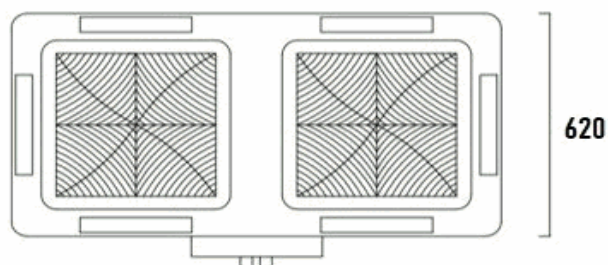
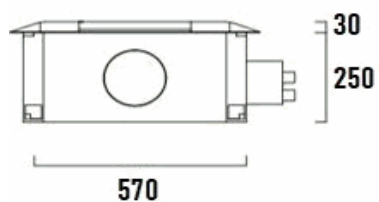
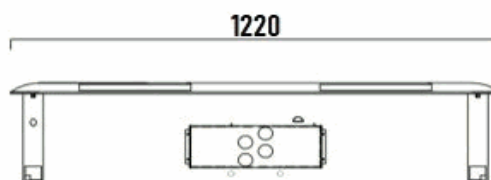
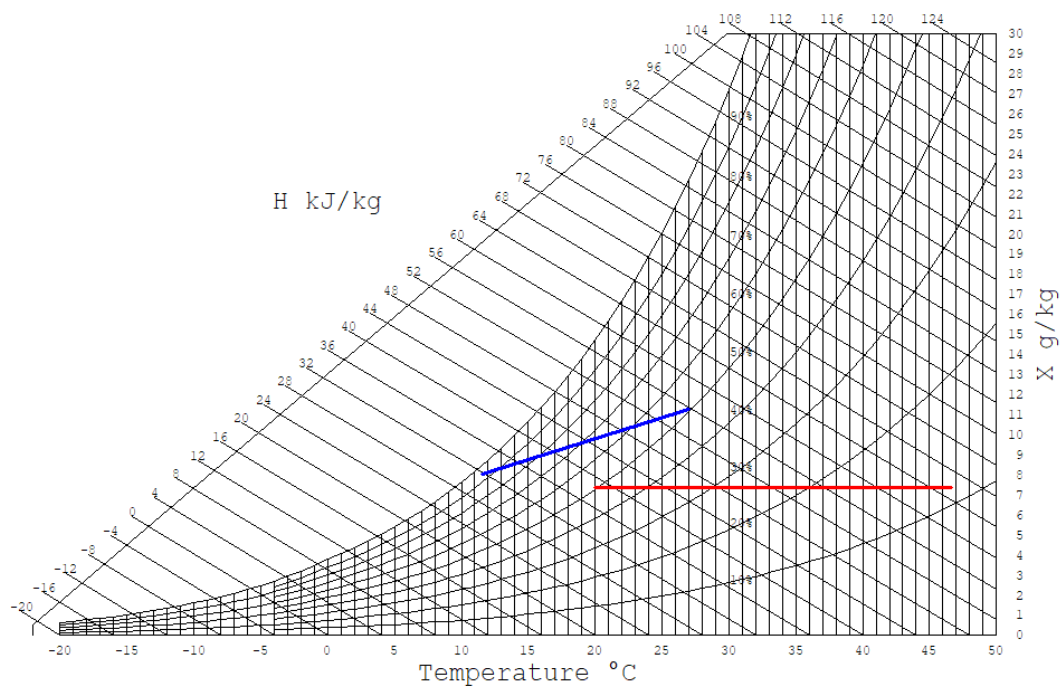
LUFT-R13-TEC

Cooling				Heating				
Capacity								
Total Capacity		[kW]	11,53	Total Capacity		[kW]	13,18	
Sensible Capacity		[kW]	7,47					
Condensed Water		[l/h]	5,61					
Rows								
Number		[n°]	3	Number		[n°]	3	
Air								
Inlet	DBT	[°C]	27,0	Inlet	DBT	[°C]	20,0	
	WBT	[°C]	19,5					
	RH	[%]	50					
Outlet	DBT	[°C]	11,3	Outlet	DBT	[°C]	47,0	
	WBT	[°C]	10,9					
	RH	[%]	95					
Flow rate		[m³/h]	1470	Flow rate		[m³/h]	1470	
Power supply Vdc		[V]	8	Power supply Vdc		[V]	8	
Air velocity		[m/s]	0,84	Air velocity		[m/s]	0,84	
Air Pressure Drop		[Pa]	14,0	Air Pressure Drop		[Pa]	9,1	
Water								
Flow rate		[l/h]	1977,50	Flow rate		[l/h]	1977,50	
Pressure drop		[kPa]	18,8	Pressure drop		[kPa]	15,8	
Temperature	Inlet	[°C]	7,0	Temperature	Inlet	[°C]	50,0	
	Outlet	[°C]	12,0		Outlet	[°C]	44,1	
Water			Water	Water			Water	
Dimensions and Weight				Other Data				
Max Width		[mm]	1170	Power supply		[V-ph-Hz]	V230/1/50	
Max Height		[mm]	250	Absorbed power (max **)		[W]	144	
Max Thickness		[mm]	570	Absorbed current (max **)		[A]	1,01	
				Sound pressure level (Lp=Lw-RA)		[dB(A)]	55,0	
				Sound power level (Lw) air delivery		[dB(A)]	64,0	
Indicative Weight		[kg]	40	Static Pressure available		[Pa]	0,000	



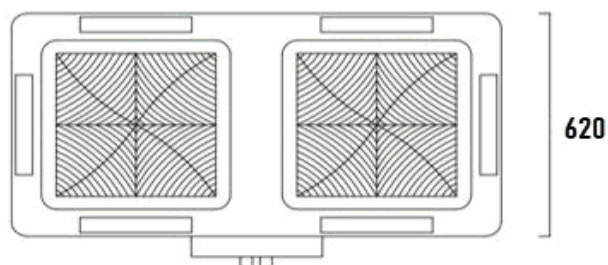
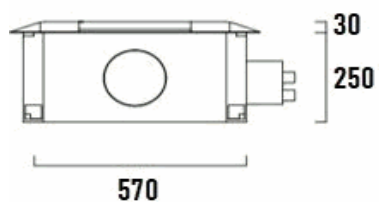
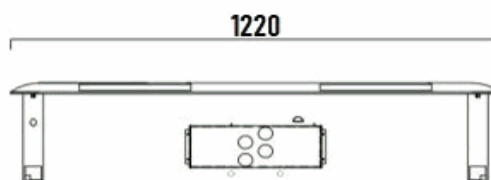
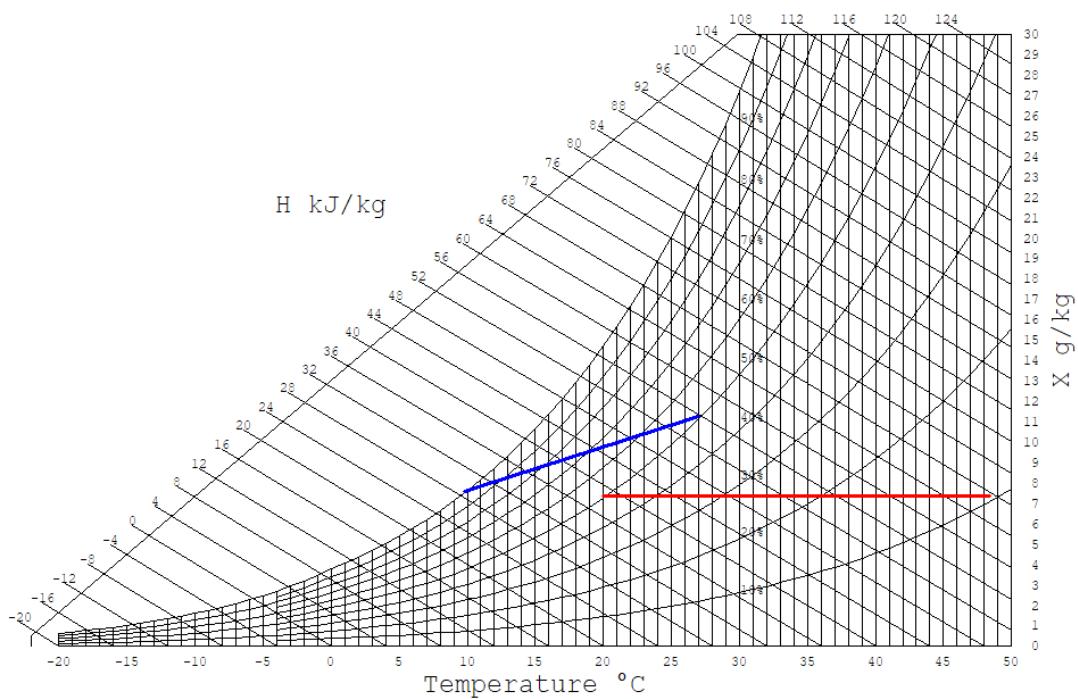
LUFT-R13-TEC

Cooling				Heating				
Capacity								
Total Capacity		[kW]	10,71	Total Capacity		[kW]	12,23	
Sensible Capacity		[kW]	6,98					
Condensed Water		[l/h]	5,20					
Rows								
Number		[n°]	3	Number		[n°]	3	
Air								
Inlet	DBT	[°C]	27,0	Inlet	DBT	[°C]	20,0	
	WBT	[°C]	19,5					
	RH	[%]	50					
Outlet	DBT	[°C]	11,0	Outlet	DBT	[°C]	47,3	
	WBT	[°C]	10,7					
	RH	[%]	96					
Flow rate		[m³/h]	1350	Flow rate		[m³/h]	1350	
Power supply Vdc		[V]	6	Power supply Vdc		[V]	6	
Air velocity		[m/s]	0,77	Air velocity		[m/s]	0,77	
Air Pressure Drop		[Pa]	12,5	Air Pressure Drop		[Pa]	8,2	
Water								
Flow rate		[l/h]	1838,02	Flow rate		[l/h]	1838,02	
Pressure drop		[kPa]	16,5	Pressure drop		[kPa]	13,9	
Temperature	Inlet	[°C]	7,0	Temperature	Inlet	[°C]	50,0	
	Outlet	[°C]	12,0		Outlet	[°C]	44,1	
Water			Water	Water			Water	
Dimensions and Weight				Other Data				
Max Width		[mm]	1170	Power supply		[V-ph-Hz]	V230/1/50	
Max Height		[mm]	250	Absorbed power (max **)		[W]	144	
Max Thickness		[mm]	570	Absorbed current (max **)		[A]	1,01	
				Sound pressure level (Lp=Lw-RA)		[dB(A)]	52,0	
				Sound power level (Lw) air delivery		[dB(A)]	61,0	
Indicative Weight		[kg]	40	Static Pressure available		[Pa]	0,000	



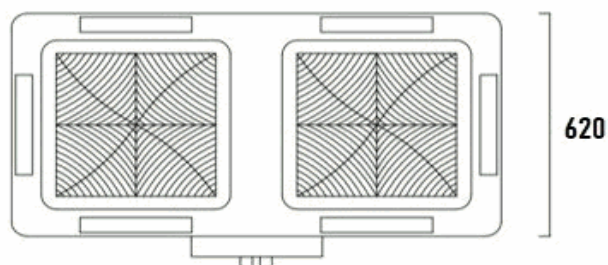
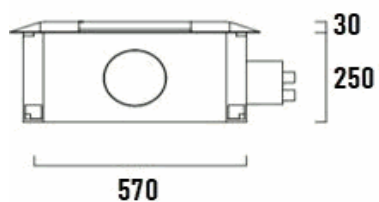
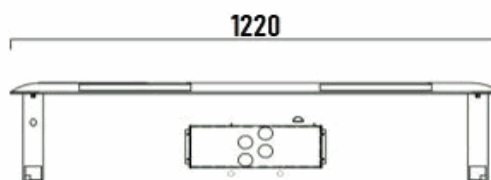
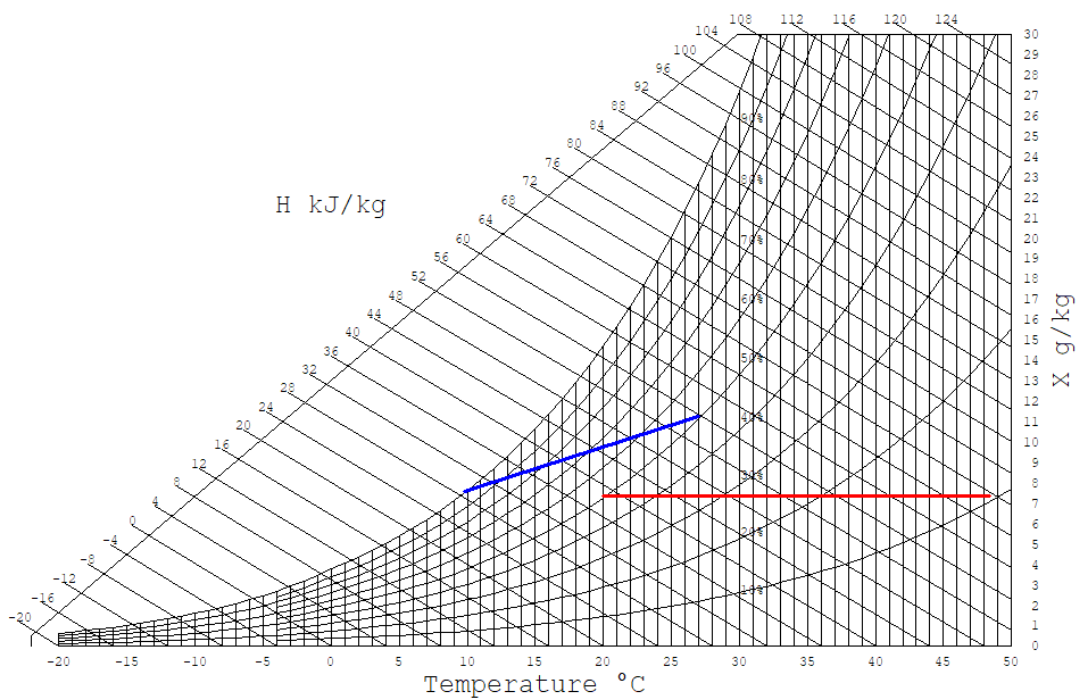
LUFT-R14-TEC

Cooling				Heating				
Capacity								
Total Capacity		[kW]	13,98	Total Capacity		[kW]	15,28	
Sensible Capacity		[kW]	8,98					
Condensed Water		[l/h]	6,94					
Rows								
Number		[n°]	4	Number		[n°]	4	
Air								
Inlet	DBT	[°C]	27,0	Inlet	DBT	[°C]	20,0	
	WBT	[°C]	19,5					
	RH	[%]	50					
Outlet	DBT	[°C]	9,8	Outlet	DBT	[°C]	48,4	
	WBT	[°C]	9,8					
	RH	[%]	99					
Flow rate		[m³/h]	1620	Flow rate		[m³/h]	1620	
Power supply Vdc		[V]	10	Power supply Vdc		[V]	10	
Air velocity		[m/s]	0,92	Air velocity		[m/s]	0,92	
Air Pressure Drop		[Pa]	21,3	Air Pressure Drop		[Pa]	13,8	
Water								
Flow rate		[l/h]	2399,30	Flow rate		[l/h]	2399,30	
Pressure drop		[kPa]	34,5	Pressure drop		[kPa]	28,9	
Temperature	Inlet	[°C]	7,0	Temperature	Inlet	[°C]	50,0	
	Outlet	[°C]	12,0		Outlet	[°C]	44,3	
Water			Water	Water			Water	
Dimensions and Weight				Other Data				
Max Width		[mm]	1170	Power supply		[V-ph-Hz]	V230/1/50	
Max Height		[mm]	250	Absorbed power (max **)		[W]	144	
Max Thickness		[mm]	570	Absorbed current (max **)		[A]	1,01	
				Sound pressure level (Lp=Lw-RA)		[dB(A)]	58,0	
				Sound power level (Lw) air delivery		[dB(A)]	67,0	
Indicative Weight		[kg]	40	Static Pressure available		[Pa]	0,000	



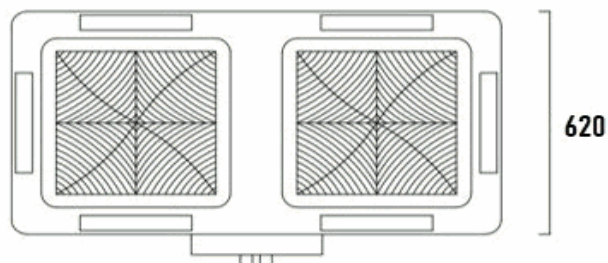
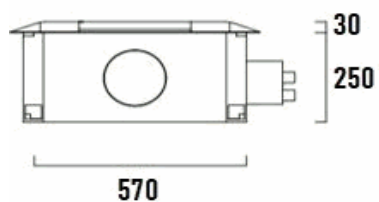
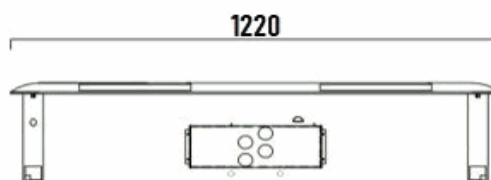
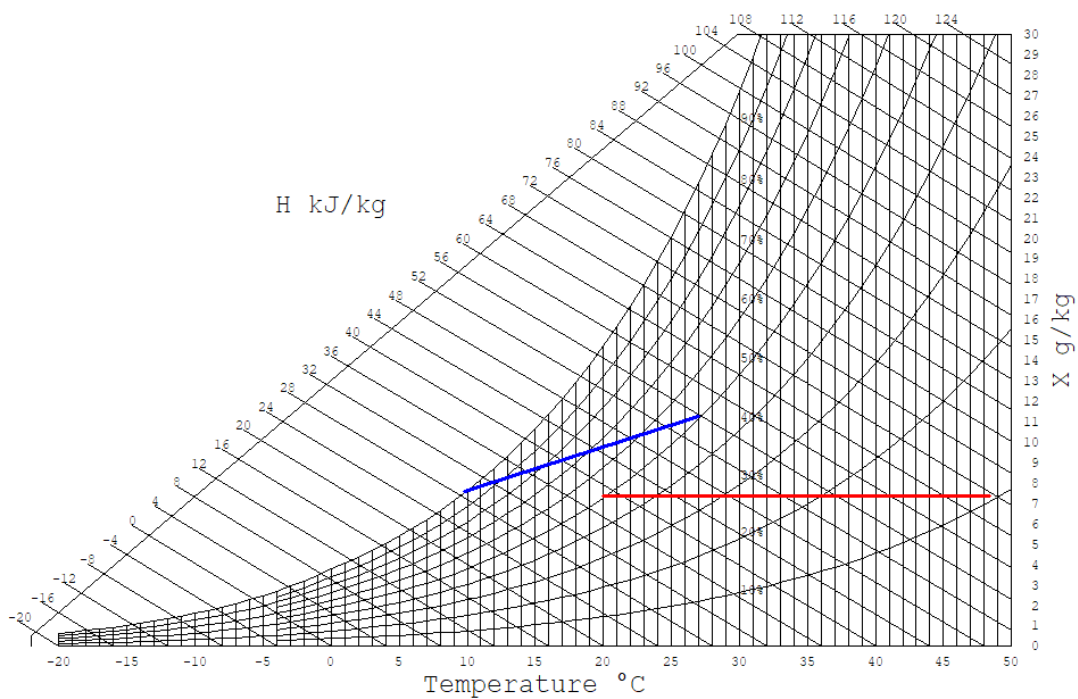
LUFT-R14-TEC

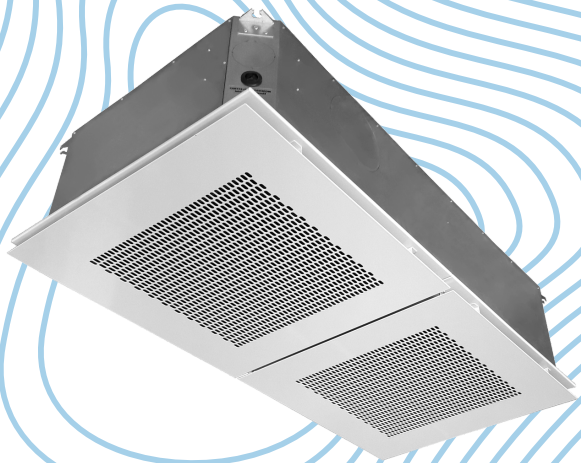
Cooling				Heating				
Capacity								
Total Capacity		[kW]	12,89	Total Capacity		[kW]	13,98	
Sensible Capacity		[kW]	8,27					
Condensed Water		[l/h]	6,43					
Rows								
Number		[n°]	4	Number		[n°]	4	
Air								
Inlet	DBT	[°C]	27,0	Inlet	DBT	[°C]	20,0	
	WBT	[°C]	19,5					
	RH	[%]	50					
Outlet	DBT	[°C]	9,6	Outlet	DBT	[°C]	48,6	
	WBT	[°C]	9,6					
	RH	[%]	100					
Flow rate		[m³/h]	1470	Flow rate		[m³/h]	1470	
Power supply Vdc		[V]	8	Power supply Vdc		[V]	8	
Air velocity		[m/s]	0,84	Air velocity		[m/s]	0,84	
Air Pressure Drop		[Pa]	18,8	Air Pressure Drop		[Pa]	12,1	
Water								
Flow rate		[l/h]	2212,08	Flow rate		[l/h]	2212,08	
Pressure drop		[kPa]	29,8	Pressure drop		[kPa]	24,9	
Temperature	Inlet	[°C]	7,0	Temperature	Inlet	[°C]	50,0	
	Outlet	[°C]	12,0		Outlet	[°C]	44,4	
Water			Water	Water			Water	
Dimensions and Weight				Other Data				
Max Width		[mm]	1170	Power supply		[V-ph-Hz]	V230/1/50	
Max Height		[mm]	250	Absorbed power (max **)		[W]	144	
Max Thickness		[mm]	570	Absorbed current (max **)		[A]	1,01	
				Sound pressure level (Lp=Lw-RA)		[dB(A)]	55,0	
				Sound power level (Lw) air delivery		[dB(A)]	64,0	
Indicative Weight		[kg]	40	Static Pressure available		[Pa]	0,000	



LUFT-R14-TEC

Cooling				Heating				
Capacity								
Total Capacity		[kW]	12,02	Total Capacity		[kW]	12,91	
Sensible Capacity		[kW]	7,67					
Condensed Water		[l/h]	6,05					
Rows								
Number		[n°]	4	Number		[n°]	4	
Air								
Inlet	DBT	[°C]	27,0	Inlet	DBT	[°C]	20,0	
	WBT	[°C]	19,5					
	RH	[%]	50					
Outlet	DBT	[°C]	9,4	Outlet	DBT	[°C]	48,8	
	WBT	[°C]	9,4					
	RH	[%]	100					
Flow rate		[m³/h]	1350	Flow rate		[m³/h]	1350	
Power supply Vdc		[V]	6	Power supply Vdc		[V]	6	
Air velocity		[m/s]	0,77	Air velocity		[m/s]	0,77	
Air Pressure Drop		[Pa]	16,9	Air Pressure Drop		[Pa]	10,8	
Water								
Flow rate		[l/h]	2063,14	Flow rate		[l/h]	2063,14	
Pressure drop		[kPa]	26,2	Pressure drop		[kPa]	22,0	
Temperature	Inlet	[°C]	7,0	Temperature	Inlet	[°C]	50,0	
	Outlet	[°C]	12,0		Outlet	[°C]	44,4	
Water			Water	Water			Water	
Dimensions and Weight				Other Data				
Max Width		[mm]	1170	Power supply		[V-ph-Hz]	V230/1/50	
Max Height		[mm]	250	Absorbed power (max **)		[W]	144	
Max Thickness		[mm]	570	Absorbed current (max **)		[A]	1,01	
				Sound pressure level (Lp=Lw-RA)		[dB(A)]	52,0	
				Sound power level (Lw) air delivery		[dB(A)]	61,0	
Indicative Weight		[kg]	40	Static Pressure available		[Pa]	0,000	





Aerfor S.r.l.

Via dell'Industria n. 5A
35020 - Brugine - Padova - Italy

Tel: +39 049 9730045
e-mail : info@aerfor.com
Pec: aerfor@registerpec.it
P.IVA 02703580304
R.E.A. : RO-159632

www.aerfor.com

Maahantuoja:

ahlsell ref
One Step Ahead