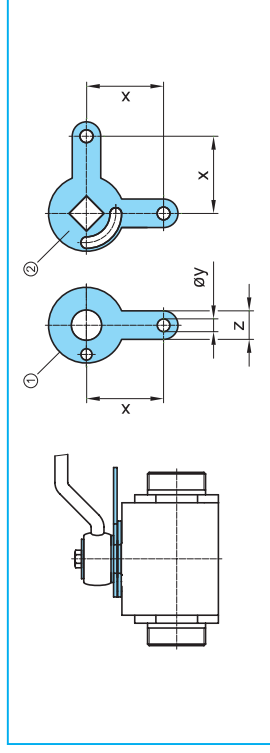


Attachments, accessories

Locking devices for 2- and multi-way ball valves with floating ball · Steel and stainless steel



For dimensions and article-numbers for ball valve bodies refer to the respective chapter.

Locking devices for other types of ball valves on request

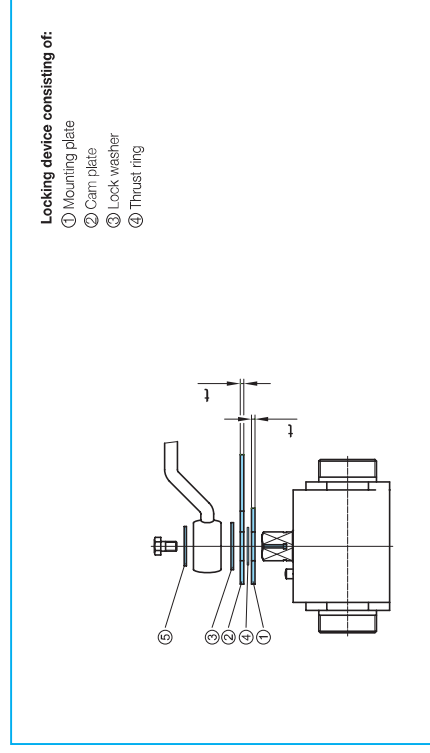
All dimensions subject to change without notice

Also completely assembled available

Material: stainless steel

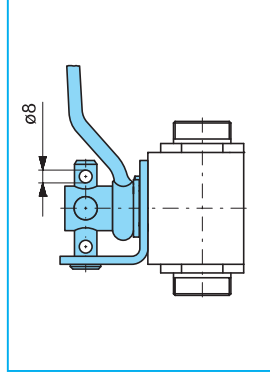
Switching position	DN	t	x	y	z	Article-No.
	4/6	0,80	18	9	20	100 836
	8/10	1,20	21	9	20	100 837
	12	1,20	29	9	20	100 838
	16	1,20	29	9	20	100 838*
	20/25	1,50	34	9	20	100 840
	32/40/50	1,75	54	9	20	100 841

* DN 16 stainless steel 100840



Locking device consisting of:

- ① Mounting plate
- ② Cam plate
- ③ Lock washer
- ④ Thrust ring



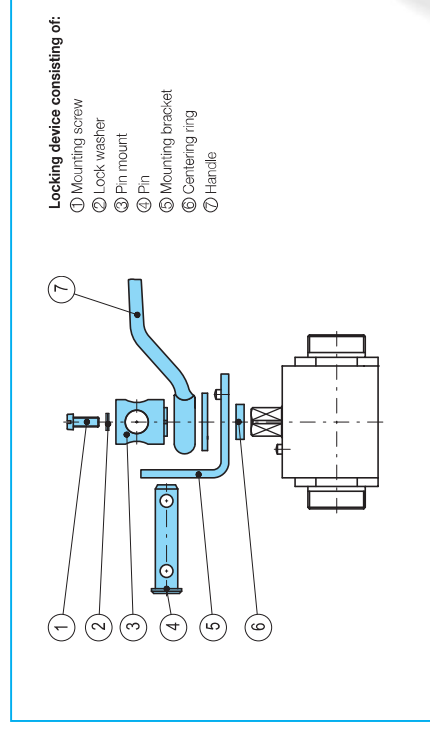
For dimensions and article-numbers for ball valve bodies refer to the respective chapter.

Locking devices for other types of ball valves on request

All dimensions subject to change without notice

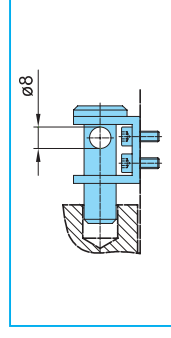
Also completely assembled available

Switching position	DN	Steel Article-No.	Stainless steel Article-No.
	4/6	100 821	100 831
	8/10	100 822	100 832
	12	100 823	100 833
	16	100 823	100 834
	20	100 825	100 834
	25	100 825	100 834
	32	100 826	100 835
	40	100 826	100 835
	50	100 826	100 835



Locking device consisting of:

- ① Mounting screw
- ② Lock washer
- ③ Pin mount
- ④ Pin
- ⑤ Mounting bracket
- ⑥ Centering ring
- ⑦ Handle



DN

76/102/127

Article-No.

100 830