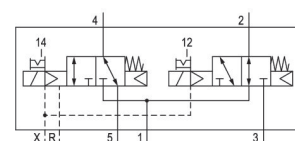
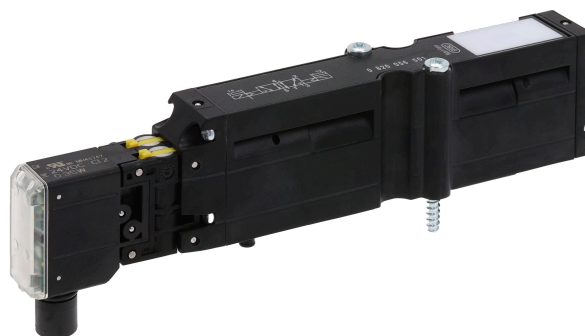


2x3/2-directional valve, Series HF02-LG

0820056301

General series information
Series HF02-LG

- The AVENTICS Series HF02-LG extends the product family of universal valve systems with a high flow rate of up to 1400 l/min.



Technical data

Industry
Industrial

Activation
Electrically

Nominal flow Q_n
1400 l/min

Working pressure min.
-0.9 bar

Working pressure max
10 bar

Operational voltage
24 V DC

Pilot valve width
16 mm

Valve type
Spool valve, positive overlapping

DC operating voltage
24 V

Voltage tolerance DC
-15% / +20%

Manual override
with detent

Sealing principle
Soft Seal

Pilot
External
Internal

Certificates
UR (Underwriters Laboratories)

Connection type
Plate connection

Blocking principle
Single base plate principle

Control pressure min.
3 bar

Control pressure max.
10 bar

Min. ambient temperature
0 °C

Max. ambient temperature
50 °C

Min. medium temperature
0 °C

Max. medium temperature
50 °C

Medium
Compressed air

Max. particle size
5 µm

Oil content of compressed air min.
0 mg/m³

Oil content of compressed air max.
5 mg/m³

Pilot control exhaust
With collective pilot air exhaust

Flow conductance b
0.4

Flow conductance C
5.87 l/(s*bar)

Power consumption DC
0.35 W

LED status display
Yellow

Duty cycle
100 %

Typ. switch-on time
25 ms

Typ. switch-off time
35 ms

Pilot valve width
16 mm

Protection class with connection
IP65

Protective circuit
Z-diode

Reverse polarity protection
Protected against polarity reversal

mounting screws
cross recessed DIN EN ISO 4757-Z2

Mounting screw tightening torque
1.3 Nm

Weight
0.144 kg

Material

Housing material
Polyamide

Seal material
Acrylonitrile butadiene rubber

Hydrogenated acrylonitrile butadiene rubber

Part No.
0820056301

Technical information

The pilot type (external/internal) is not implemented in the valve, but in the end plate of the valve system.

The pilot valve is UL (Underwriters Laboratories) certified.

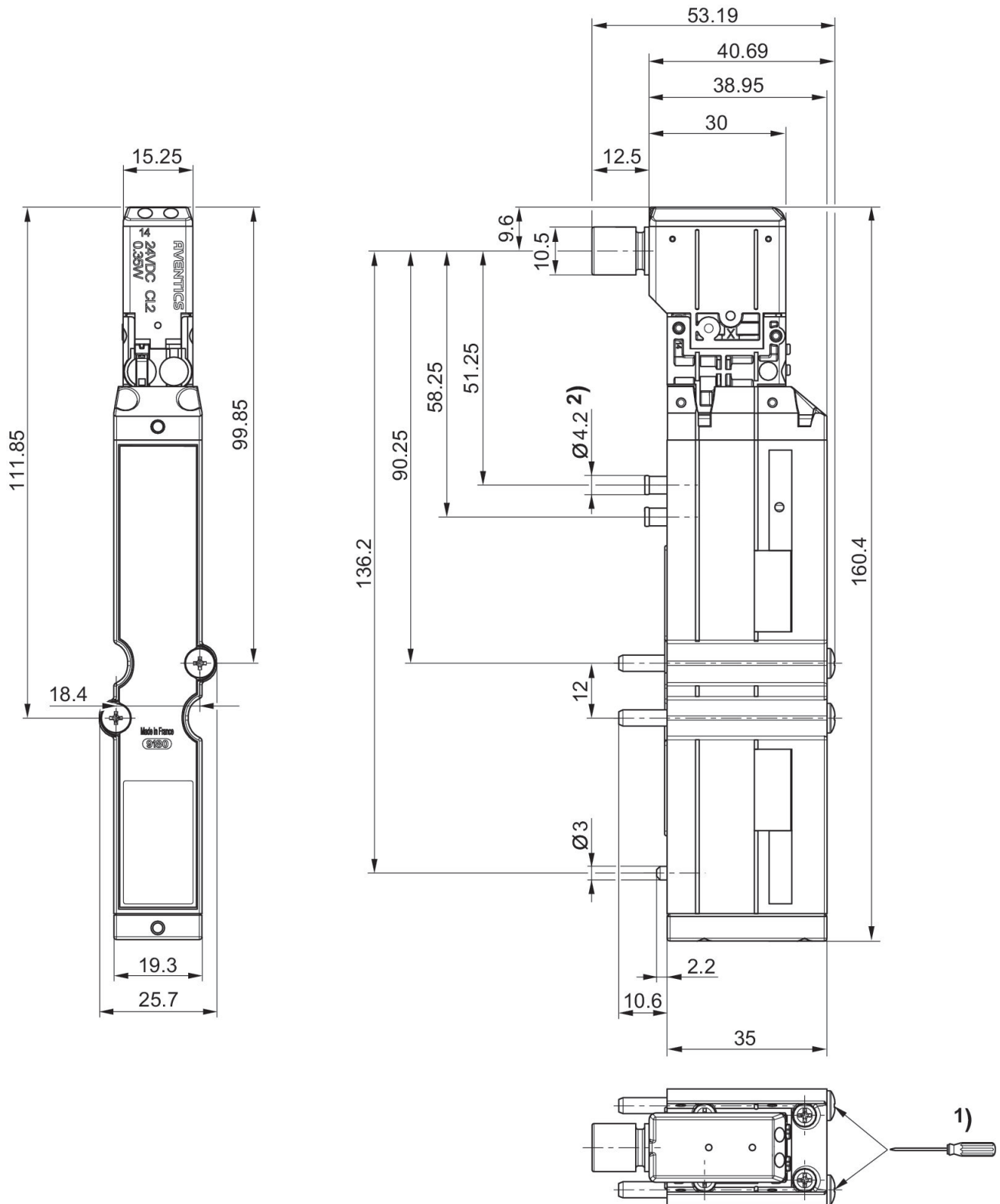
The min. control pressure must be adhered to, since otherwise faulty switching and valve failure may result!

The pressure dew point must be at least 15 °C under ambient and medium temperature and may not exceed 3 °C .

The oil content of compressed air must remain constant during the life cycle.

Use only the approved oils from AVENTICS. Further information can be found in the “Technical information” document (available in <https://www.emerson.com/en-us/support>).

Dimensions



1) = 1.1 +0.2 Nm 800tr/min. max.