

Pilot-operated non-return valve, Series NR02

0821003026

Series NR02

- $Q_n = [[300] \text{ l/min}] \dots [[5800] \text{ l/min}]$



Technical data

Industry
Industrial

Compressed air connection 1
G 1/4

Compressed air connection type 1
Internal thread

Mounting
installing in piping

Compressed air connection type 2
Internal thread

Type
Poppet valve

Compressed air connection 2
G 1/4

Compressed air connection 12
G 1/8

Nominal flow Q_n 1 to 2
510 l/min

Nominal flow Q_n 2 to 1
400 l/min

Working pressure min.
1 bar

Working pressure max
12 bar

Min. ambient temperature
-10 °C

Max. ambient temperature
60 °C

Min. medium temperature
-10 °C

Max. medium temperature
60 °C

Medium
Compressed air

Weight
0.099 kg

Material

Housing material

Die cast zinc

Seal material

Acrylonitrile butadiene rubber

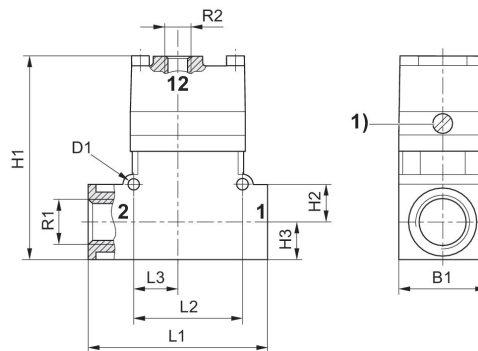
Part No.

0821003026

Technical information

Dimensions

Fig. 4



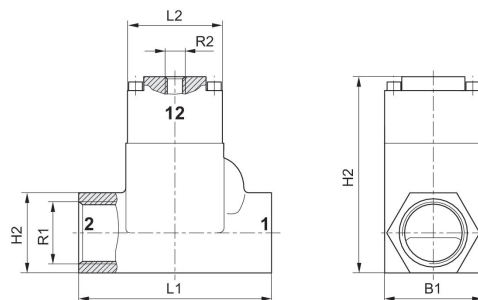
1) Manual override

	R1	R2	Ø D1	L1	L2	L3	H1	H2	H3
0821003042	G 3/8	G 1/8	4.3	72	44	18	82	15	15

	B1
0821003042	35

Dimensions

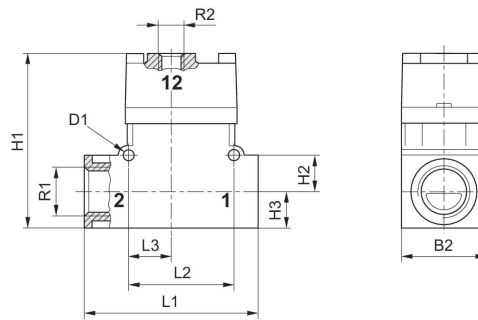
Fig. 3



	R1	R2	L1	L2	H1	H2	B1
0821003029	G 3/4	G 1/8	100	50	41	101	50
0821003030	G 1	G 1/8	100	50	41	101	50

Dimensions

Fig. 2

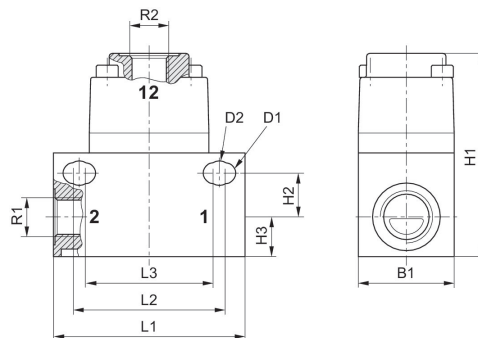


	R1	R2	Ø D1	L1	L2	L3	H1	H2	H3
0821003027	G 3/8	G 1/8	4.3	72	44	18	72	15	15
0821003028	G 1/2	G 1/8	4.3	72	44	18	72	15	15

	B1
0821003027	35
0821003028	35

Dimensions

Fig. 1



	R1	R2	Ø D1	Ø D2	L1	L2	L3	H1	H2
0821003025	G 1/8	G 1/8	5.2	6.1	48	38	32	51	11
0821003026	G 1/4	G 1/8	5.2	6.1	48	38	32	51	11

	H3	B1
0821003025	10	24
0821003026	10	24