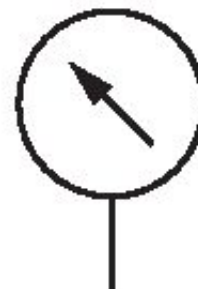


Pressure gauge, Series PG1-GLY

R412010128

General series information
Series PG1 Pressure gauges

- With the AVENTICS Series PG1 you can visualize and rely on a clear air pressure display for each of your pneumatic circuits. In addition to the parameters for controlling the air quality, supplying sufficient pressure is the basis for operating a reliable system within machine automation. Emerson offers mechanical pressure gauges that can be integrated into machines for diverse applications and air preparation systems. The specifications of the individual versions in the universal PG1 Series provide a selection of options, such as appearance, material, or the required type of mounting.



Technical data

Industry	Industrial
Pressure gauge version	Bourdon tube pressure gauge Back port with glycerin filling
Standardization	EN 837-1
Class	1,6
Compressed air connection	R 1/8
Nominal diameter	63 mm
Scale value	0.5
Range of application min.	0 bar
Range of application max.	8 bar
Display range min.	0 bar
Display range max.	10 bar
Working pressure min.	0 bar
Working pressure max	10 bar
Min. ambient temperature	-25 °C
Max. ambient temperature	60 °C
Medium	Compressed air
Background color	White
Main scale unit (outside)	bar
Main scale color (outside)	Black
Secondary scale unit (inside)	psi

Secondary scale color (inside)	Black
Pointer color	Black
Weight	0.26 kg

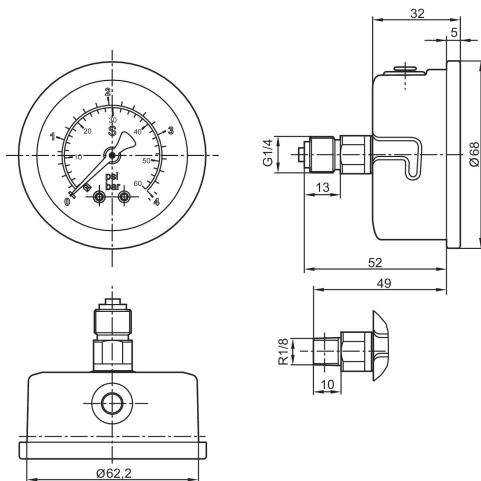
Material

Housing material	Stainless Steel
Material viewing window	Polystyrene
Material thread	Brass
	R412010128

Technical information

Order axial seal separately

Dimensions in mm



Order retainer ring 3530132602 for control panel installation separately.