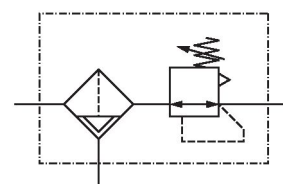


Filter pressure regulator, Series AS3-FRE

R412007184

General series information Series AS3

- The AVENTICS Series AS3 is a modular, versatile maintenance unit for universal application. This Series offers compact dimensions, is highly efficient, lightweight and easy-to-use. The AVENTICS Series AS guarantees reliability, safety, and efficiency with a simplified assembly and maintenance efforts.



Technical data

Industry
Industrial

Parts
Filter pressure regulator

Reservoir
reservoir, polycarbonate, with PA protective guard

Port
G 1/2

Nominal flow Q_n
5100 l/min

Filter porosity
5 µm

Condensate drain
semi-automatic, open without pressure

Pressure gauge
without pressure gauge

Working pressure min.
1.5 bar

Working pressure max
16 bar

Min. ambient temperature
-10 °C

Max. ambient temperature
50 °C

Regulation range min.
0.5 bar

Regulation range max.
8 bar

Lock type
for padlocks

Type
1-part

Type
Can be assembled into blocks

Pressure supply
single

Mounting orientation vertical	Max. achievable compressed air class acc. to ISO 8573-1:2010
Regulator type Diaphragm-type pressure regulator	6 : 7 : -
Regulator function with relieving air exhaust	Medium
Filter element exchangeable	Compressed air Neutral gases
Filter reservoir volume 49 cm ³	Weight 0.586 kg

Material

Housing material Polyamide	Material reservoir Polycarbonate
Seal material Acrylonitrile butadiene rubber	Material protective guard Polyamide
Material front plate Acrylonitrile butadiene styrene	Material filter insert Polyethylene
Material threaded bushing Die cast zinc	Part No. R412007184

Technical information

The pressure dew point must be at least 15 °C under ambient and medium temperature and may not exceed 3 °C .

Note: Polycarbonate reservoirs are susceptible to solvents, supplementary information can be found at "Customer information".

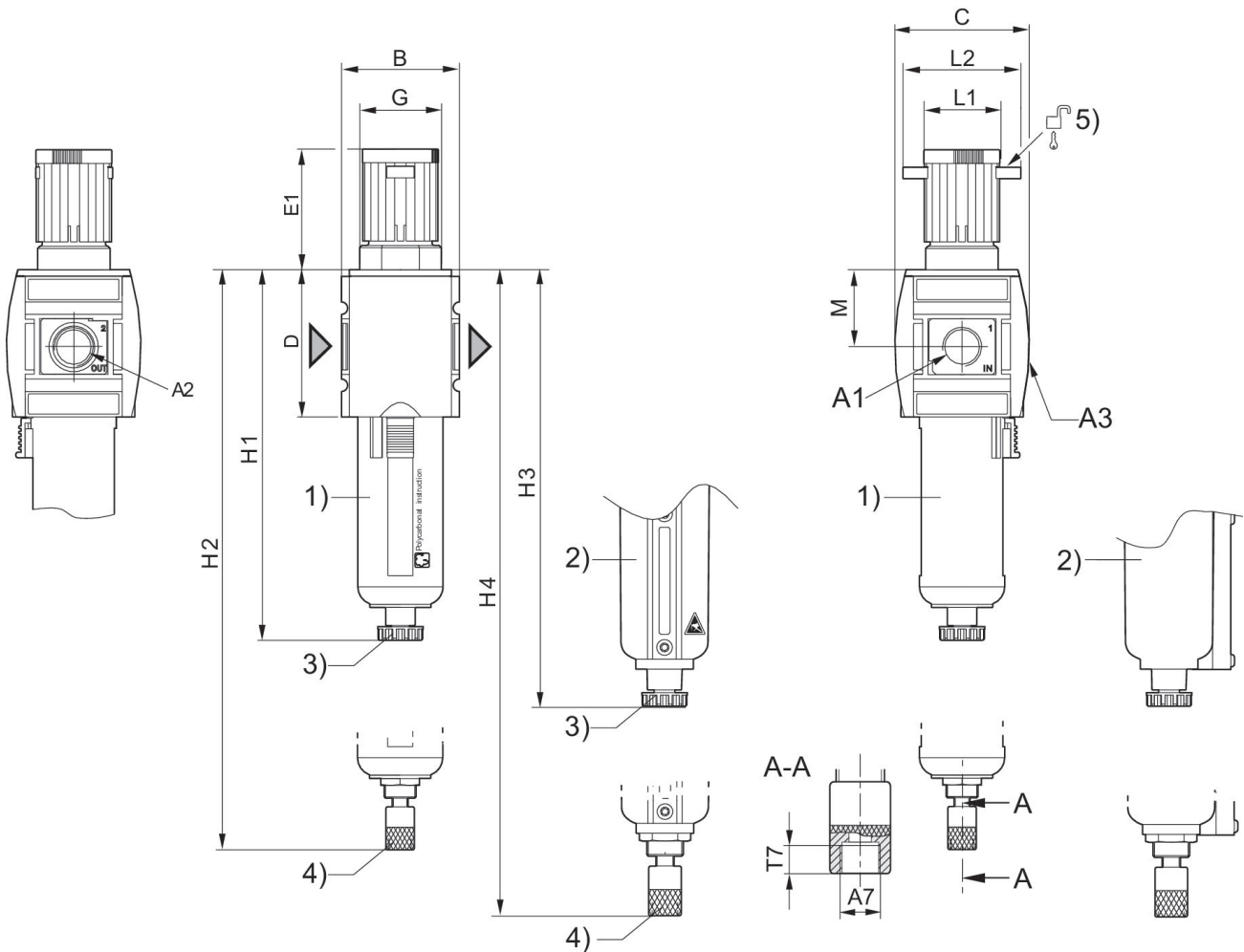
A change in the flow direction (from air supply on the left to air supply on the right) occurs by rotating installation by 180° about the vertical axis. Please see the operating instructions for further details.

Also suitable for separation of fluid oil or water due to the design.

Nominal flow Qn with secondary pressure p2 = 6 bar at Δp = 1 bar

Order pressure gauge separately

Dimensions



- A1 = input A2 = output A3 = pressure gauge connection
A7 = condensate drain
1) Plastic reservoir and protective guard with window
2) Metal reservoir with level indicator
3) Semi-automatic condensate drain
4) Fully automatic condensate drain
5) Mounting option for padlocks, max. shackle \varnothing 8

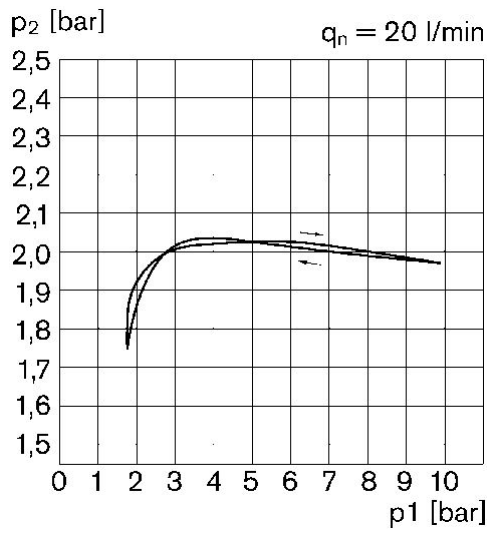
Dimensions in mm

Part No.	A1	A2	A3	A7	B	C	D	E1	G
R412007175	G 3/8	G 3/8	G 1/4	G 1/8	63	74	80	63.5	M42x1,5
R412007176	G 3/8	G 3/8	G 1/4	G 1/8	63	74	80	63.5	M42x1,5
R412007177	G 3/8	G 3/8	G 1/4	G 1/8	63	74	80	63.5	M42x1,5
R412007181	G 3/8	G 3/8	G 1/4	G 1/8	63	74	80	63.5	M42x1,5
R412007182	G 3/8	G 3/8	G 1/4	G 1/8	63	74	80	63.5	M42x1,5
R412007183	G 3/8	G 3/8	G 1/4	G 1/8	63	74	80	63.5	M42x1,5
R412007184	G 1/2	G 1/2	G 1/4	G 1/8	63	74	80	63.5	M42x1,5
R412007185	G 1/2	G 1/2	G 1/4	G 1/8	63	74	80	63.5	M42x1,5
R412007186	G 1/2	G 1/2	G 1/4	G 1/8	63	74	80	63.5	M42x1,5

Part No.	A1	A2	A3	A7	B	C	D	E1	G
R412007192	G 1/2	G 1/2	G 1/4	G 1/8	63	74	80	63.5	M42x1,5
R412007191	G 1/2	G 1/2	G 1/4	G 1/8	63	74	80	63.5	M42x1,5
R412007190	G 1/2	G 1/2	G 1/4	G 1/8	63	74	80	63.5	M42x1,5
R412007193	G 3/8	G 3/8	G 1/4	G 1/8	63	74	80	63.5	M42x1,5
R412007194	G 3/8	G 3/8	G 1/4	G 1/8	63	74	80	63.5	M42x1,5
R412007195	G 3/8	G 3/8	G 1/4	G 1/8	63	74	80	63.5	M42x1,5
R412007196	G 1/2	G 1/2	G 1/4	G 1/8	63	74	80	63.5	M42x1,5
R412007197	G 1/2	G 1/2	G 1/4	G 1/8	63	74	80	63.5	M42x1,5
R412007198	G 1/2	G 1/2	G 1/4	G 1/8	63	74	80	63.5	M42x1,5
R412007238	G 1/2	G 1/2	G 1/4	G 1/8	63	74	80	63.5	M42x1,5
R412007240	G 1/2	G 1/2	G 1/4	G 1/8	63	74	80	63.5	M42x1,5
R412007241	G 1/2	G 1/2	G 1/4	G 1/8	63	74	80	63.5	M42x1,5
R412007242	G 1/2	G 1/2	G 1/4	G 1/8	63	74	80	63.5	M42x1,5

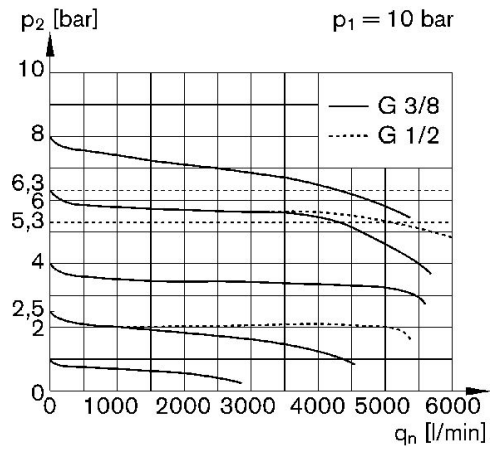
Part No.	H1	H2	H3	H4	L1	L2	M
R412007175	189.5	--	--	--	41	60	42.5
R412007176	--	206	--	--	41	60	42.5
R412007177	--	206	--	--	41	60	42.5
R412007181	--	--	193.5	--	41	60	42.5
R412007182	--	--	--	210.5	41	60	42.5
R412007183	--	--	--	210.5	41	60	42.5
R412007184	189.5	--	--	--	41	60	42.5
R412007185	--	206	--	--	41	60	42.5
R412007186	--	206	--	--	41	60	42.5
R412007192	--	--	--	210.5	41	60	42.5
R412007191	--	--	--	210.5	41	60	42.5
R412007190	189.5	--	--	--	41	60	42.5
R412007193	189.5	--	--	--	41	60	42.5
R412007194	--	206	--	--	41	60	42.5
R412007195	--	206	--	--	41	60	42.5
R412007196	189.5	--	--	--	41	60	42.5
R412007197	--	206	--	--	41	60	42.5
R412007198	--	206	--	--	41	60	42.5
R412007238	--	206	--	--	41	60	42.5
R412007240	--	--	193.5	--	41	60	42.5
R412007241	--	--	--	210.5	41	60	42.5
R412007242	--	--	--	210.5	41	60	42.5

Pressure characteristics curve



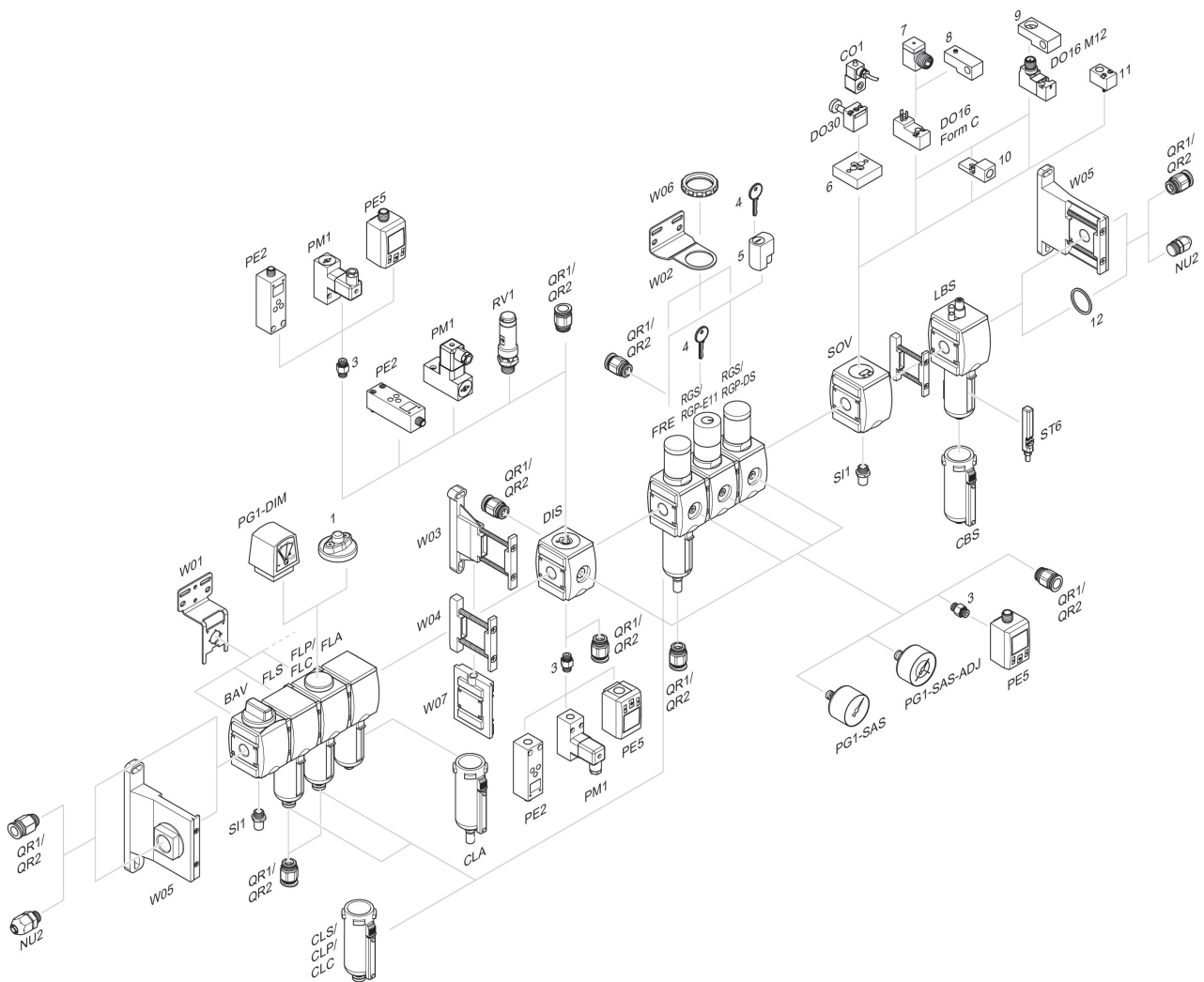
p_1 = Working pressure p_2 = Secondary pressure q_n = Nominal flow

Flow rate characteristic (p_2 : 0,5 - 8 bar)



p_1 = Working pressure p_2 = Secondary pressure q_n = Nominal flow

Accessories overview



1 = contamination display 3 = Double nipple 4 = Key for E11 locking 5 = mortise lock 6 = Transition plate DO30 7 = Adapter, Series CON-VP 8 = Mounting aid DO16, form C 9 = Mounting aid DO16, M12 10 = Adapter for external pilot air 11 = Adapter pneumatic operation 12 = Sealing ring