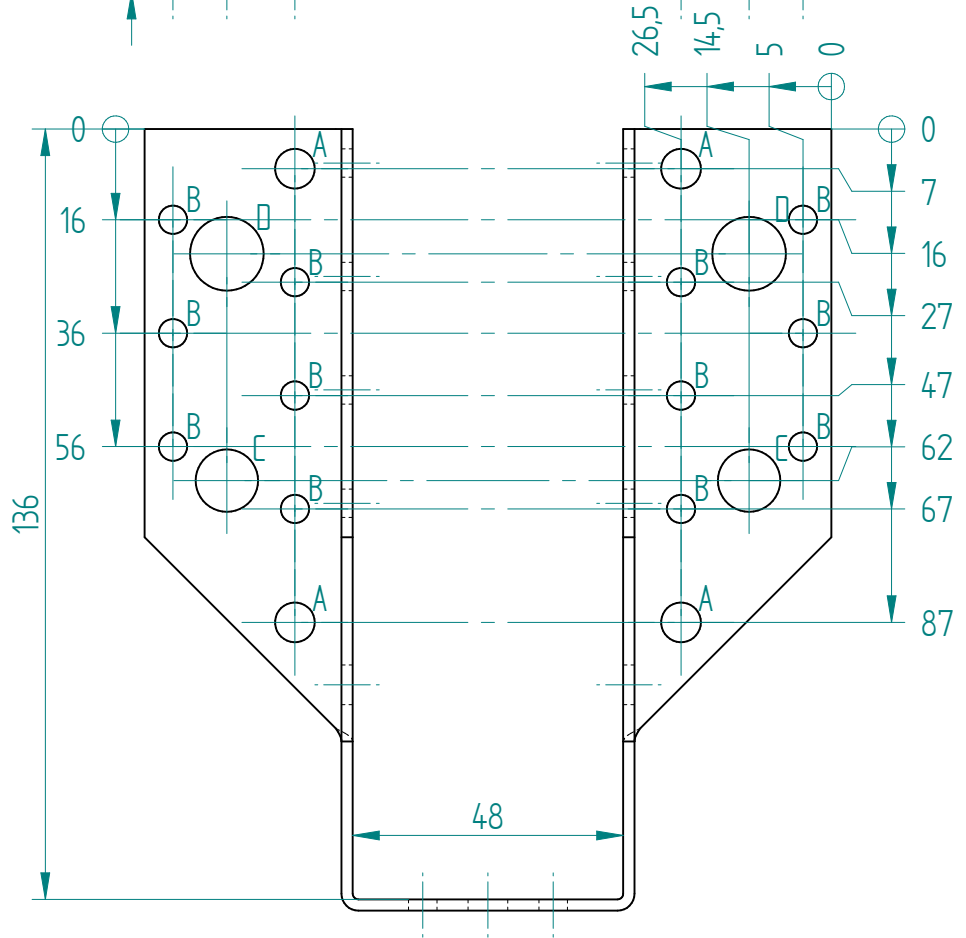
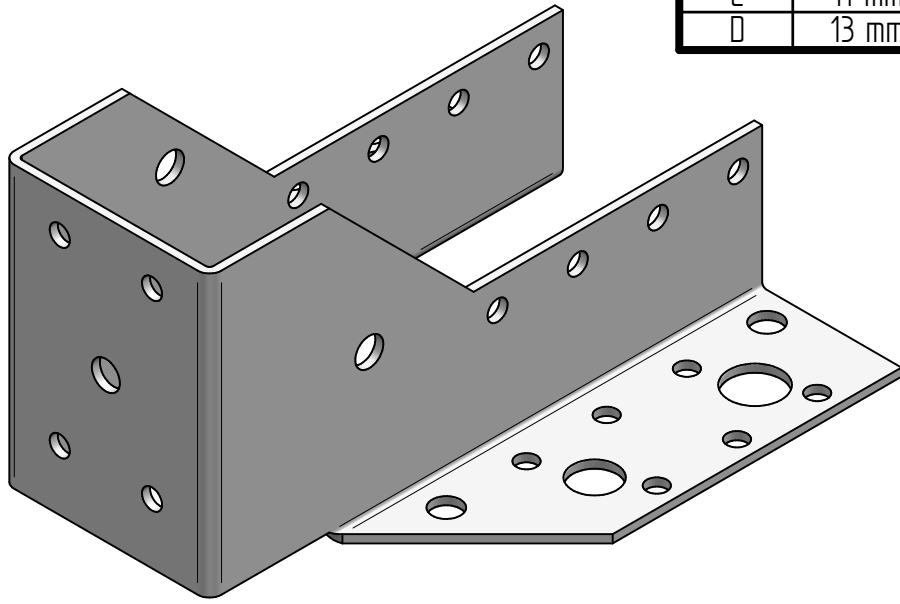


3.2



Hole	Size	Count
A	7 mm	7
B	5 mm	24
C	11 mm	2
D	13 mm	2



Product name: Joist hanger 48x136
Material: HDG DX51D Z275