

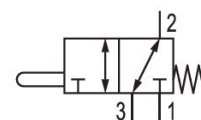
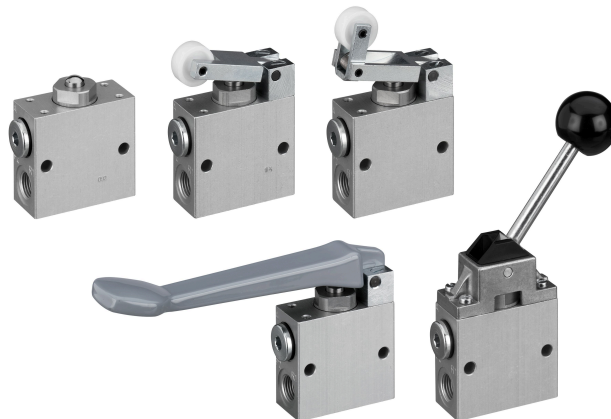
3/2-directional valve, Series AP

2023-11-27

0820400001

Series AP - inch

Qn = [[150 ... 250] l/min]



Technical data

Industry	Industrial
Activation	Mechanical
Valve type	Poppet valve
Plate connection	Pipe connection
Actuating element	Plunger

Compressed air connection type	Internal thread
Compressed air connection input	G 1/4
Compressed air connection output	G 1/4
Compressed air connection, exhaust	G 1/4
Nominal flow Qn	550 l/min
Min. working pressure	0 bar
Max. working pressure	10 bar
Min. ambient temperature	-30 °C
Max. ambient temperature	80 °C
Min. medium temperature	-30 °C
Max. medium temperature	80 °C
Medium	Compressed air
Min. oil content of compressed air	0 mg/m ³

3/2-directional valve, Series AP

2023-11-27

0820400001

Max. oil content of compressed air	5 mg/m ³
Max. particle size	5 µm

Weight	0.165 kg
--------	----------

Material

Housing material	Aluminum
Seal material	Acrylonitrile butadiene rubber
Material actuating control	Steel, chrome-plated
Part No.	0820400001

Technical information

Sound pressure level measured at 6 bar at 1 m distance

The min. control pressure must be adhered to, since otherwise faulty switching and valve failure may result!

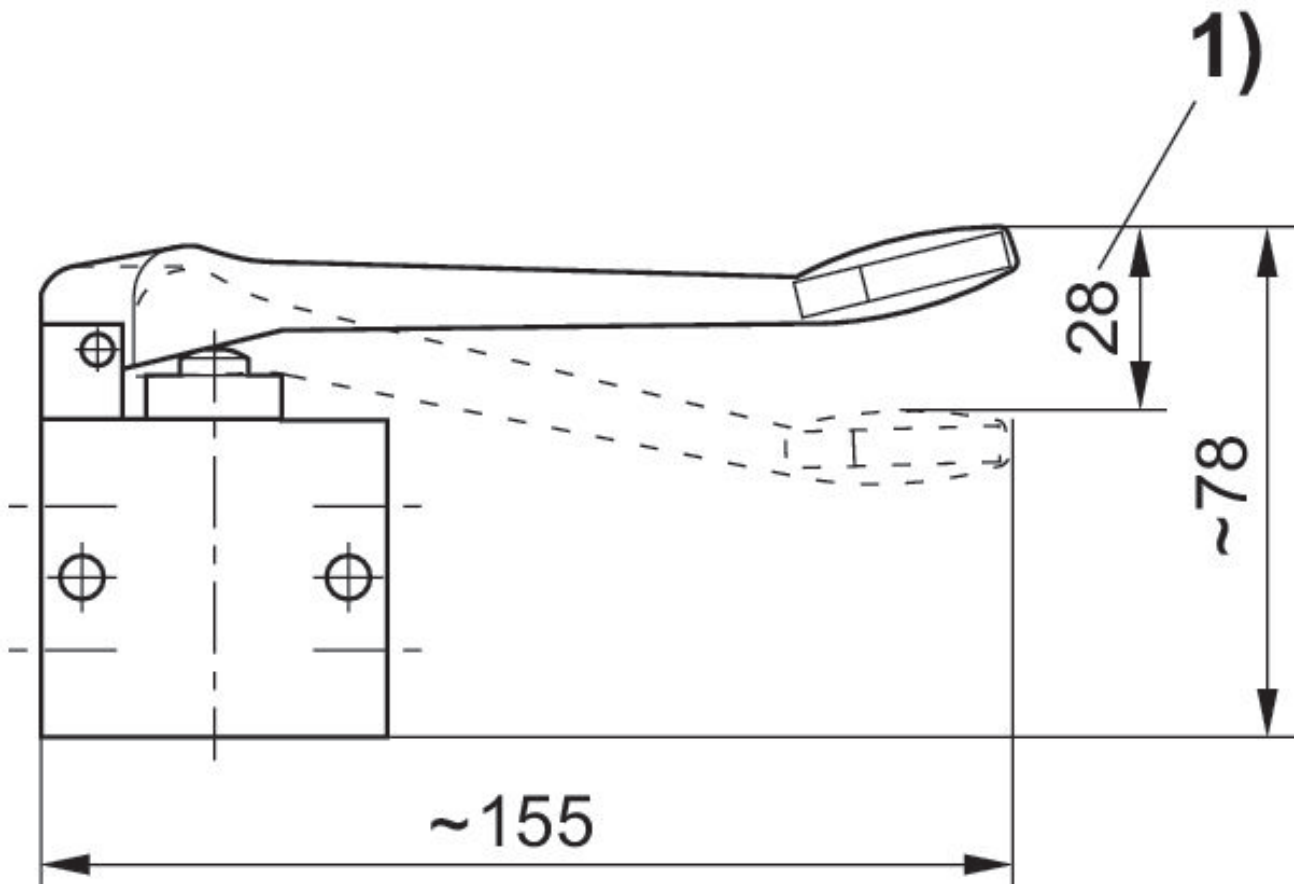
The pressure dew point must be at least 15 °C less than ambient and medium temperature and may not exceed 3 °C.

The oil content of compressed air must remain constant during the life cycle.

Use only the approved oils from AVENTICS. Further information can be found in the "Technical information" document (available in <https://www.emerson.com/en-us/support>).

Dimensions

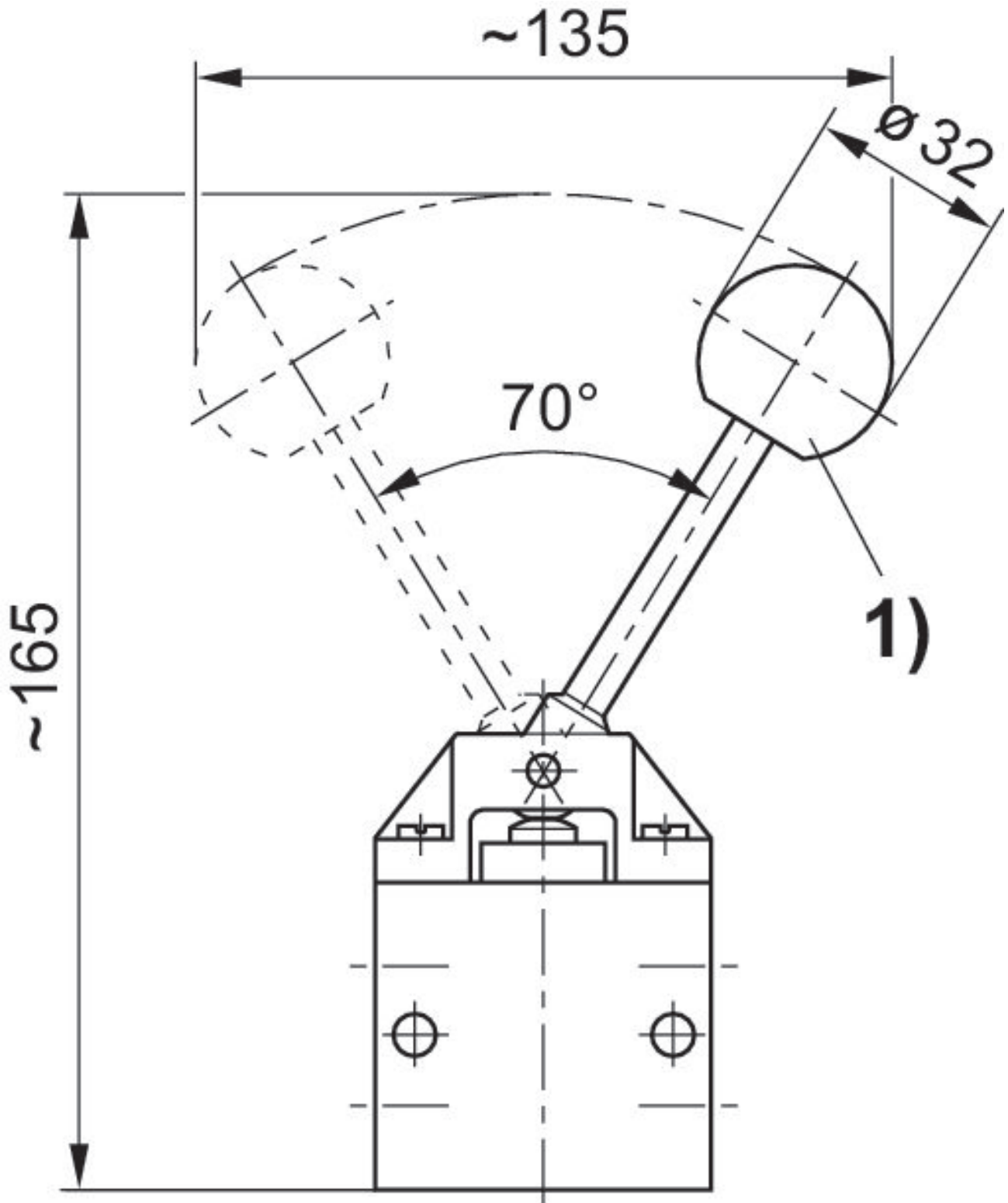
Fig. 4



1) actuating stroke

Dimensions

Fig. 5



actuating torque: 40 Ncm
1) Ball

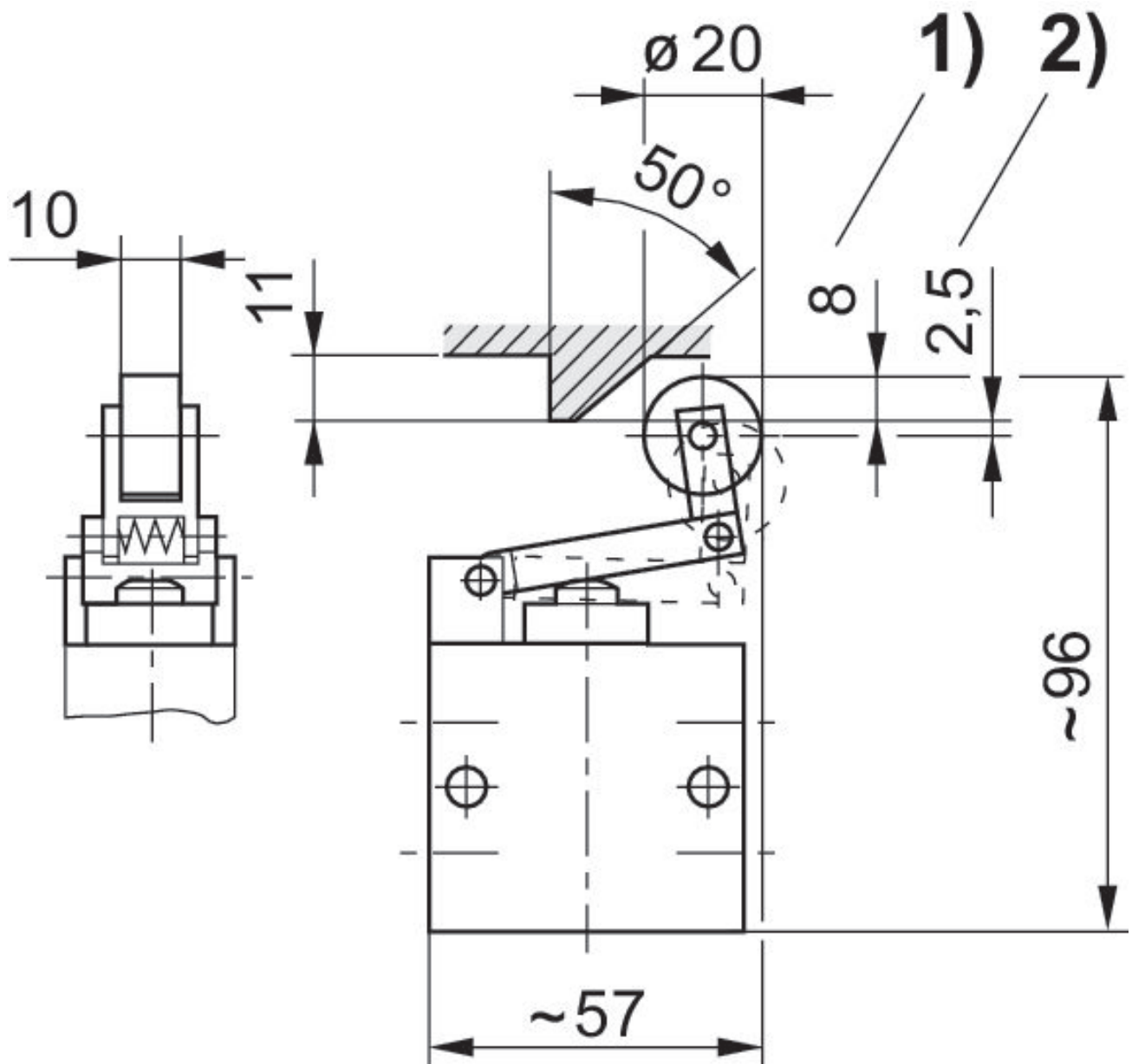
3/2-directional valve, Series AP

2023-11-27

0820400001

Dimensions

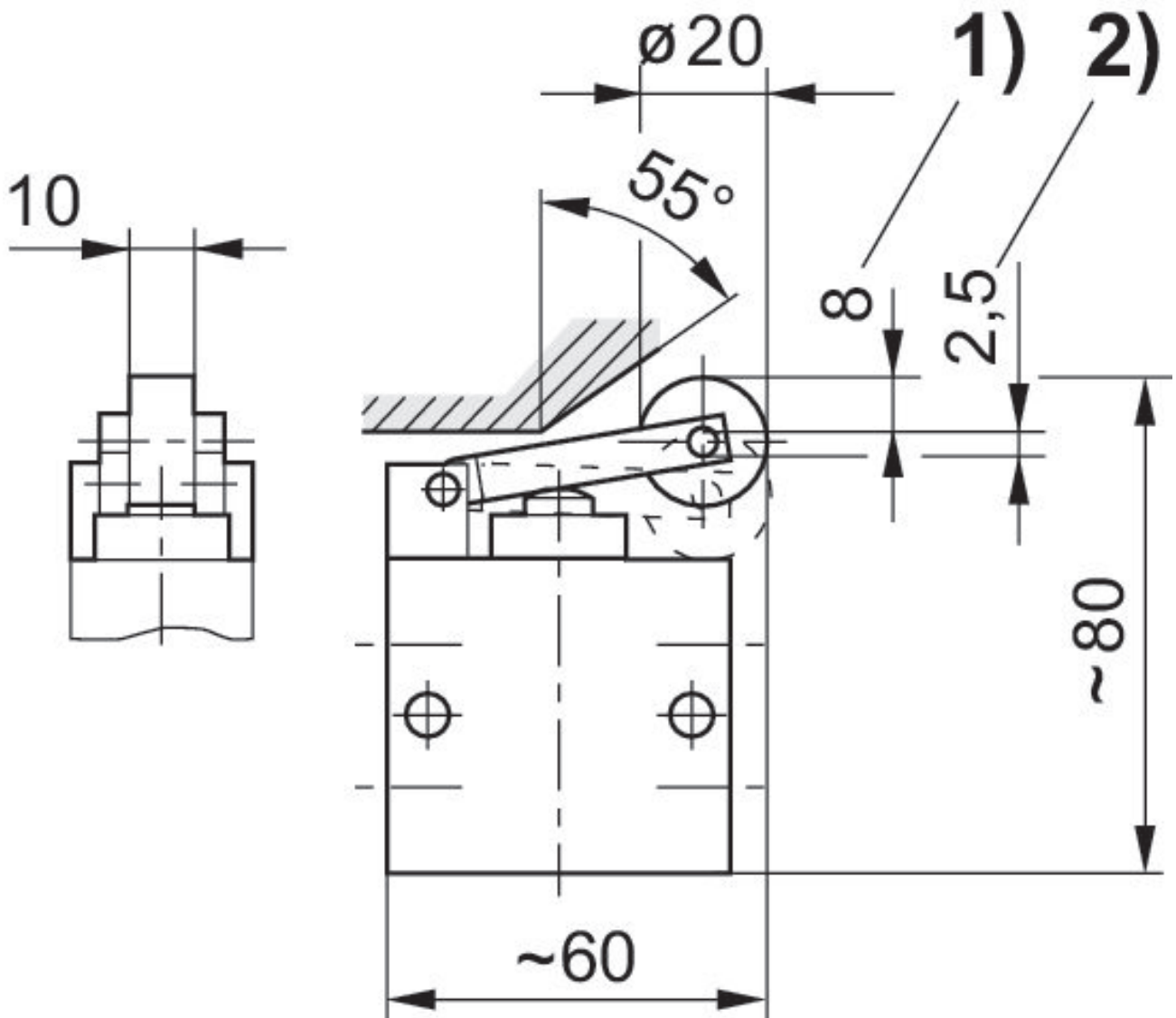
Fig. 3



1) actuating stroke 2) overstroke

Dimensions

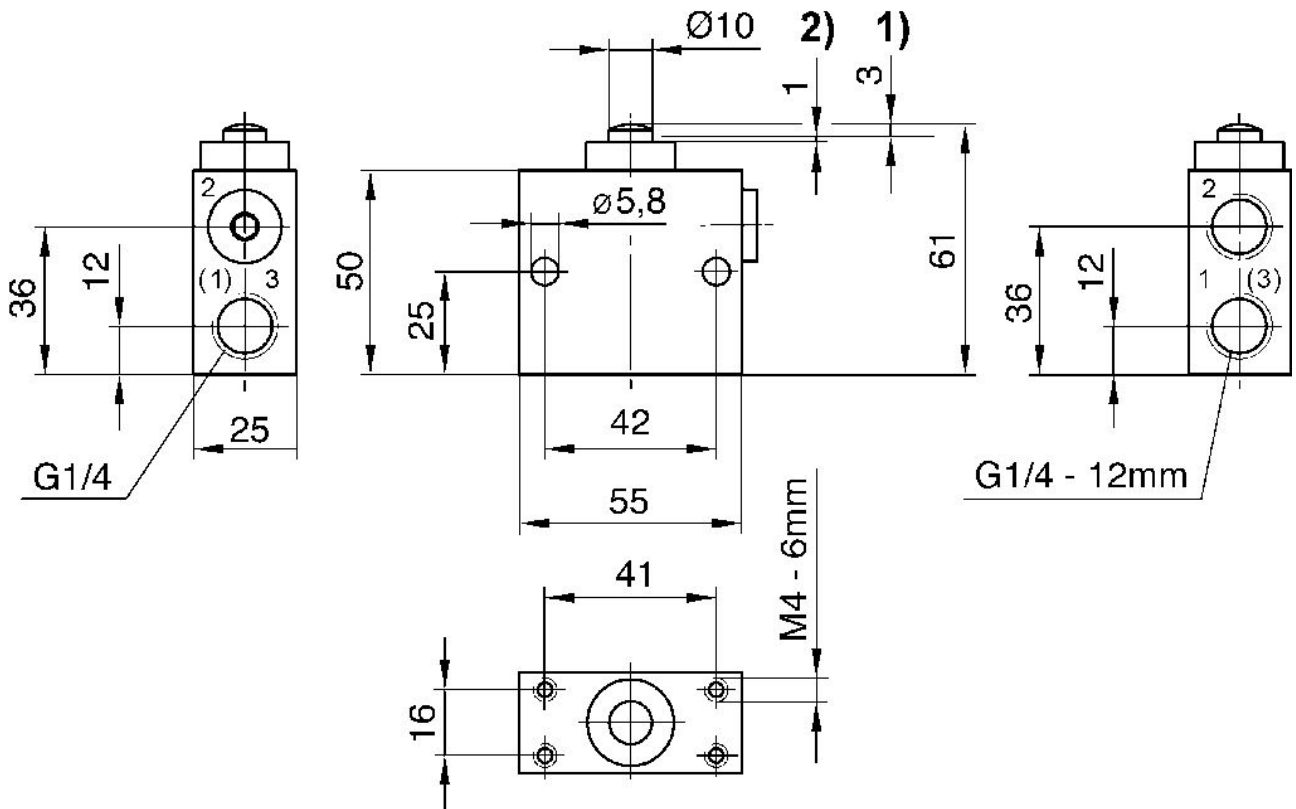
Fig. 2



1) actuating stroke 2) overstroke

Dimensions

Fig. 1



1) actuating stroke 2) overstroke
 Dimensions of basic valve apply to all types of actuation.

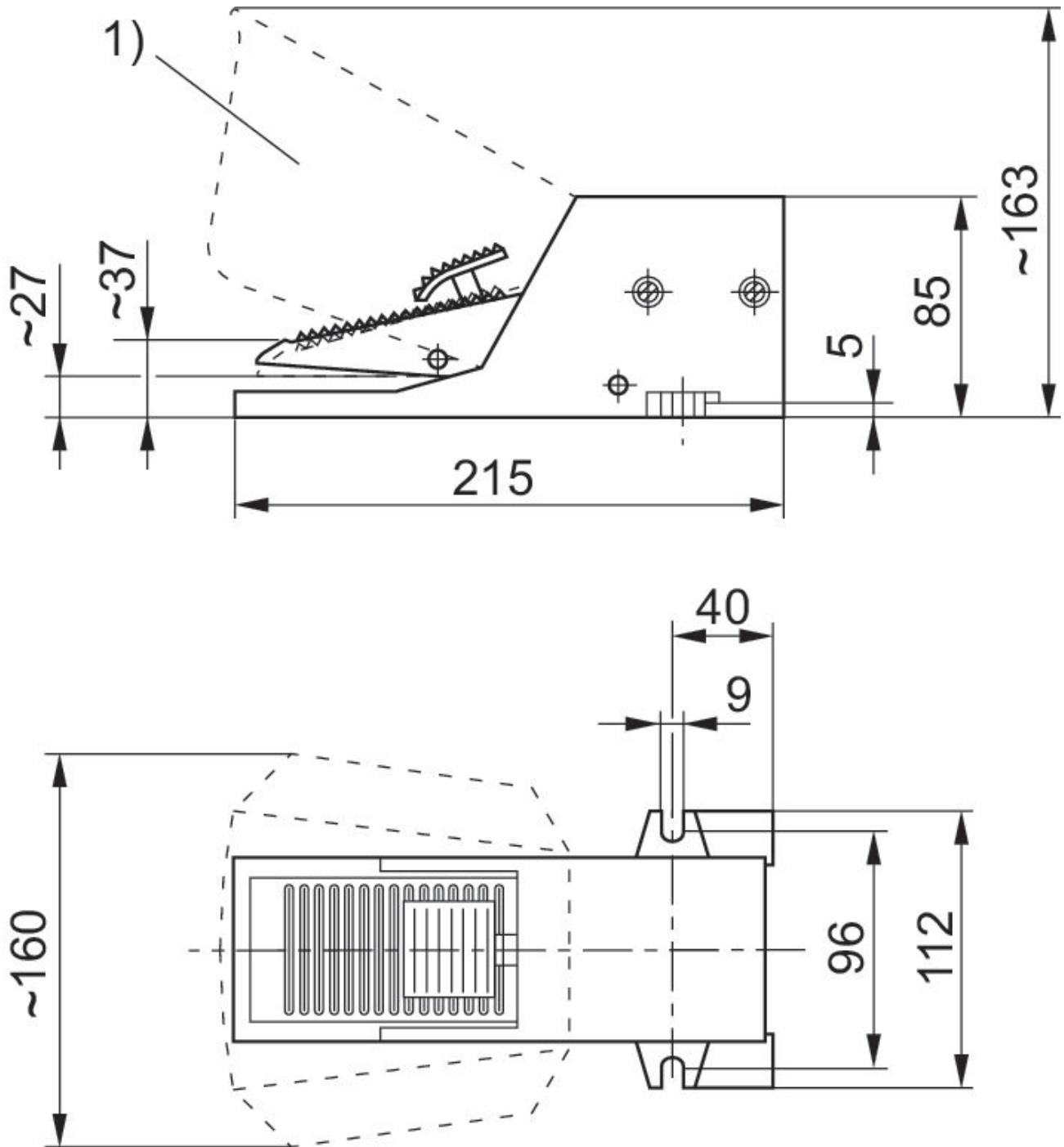
Dimensions

3/2-directional valve, Series AP

2023-11-27

0820400001

Fig. 7



1) optional protective cover, part number 1828104002

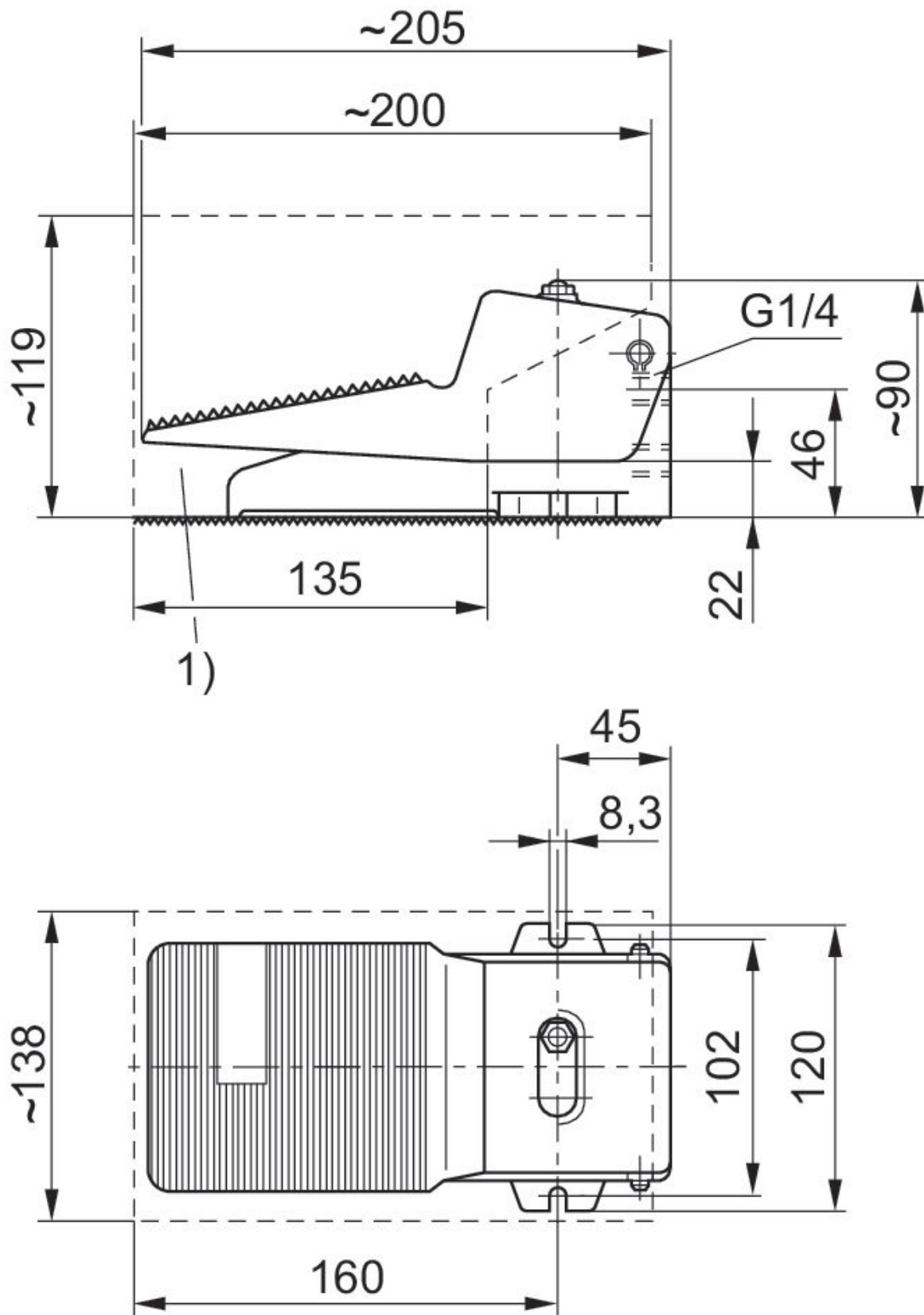
3/2-directional valve, Series AP

2023-11-27

0820400001

Dimensions

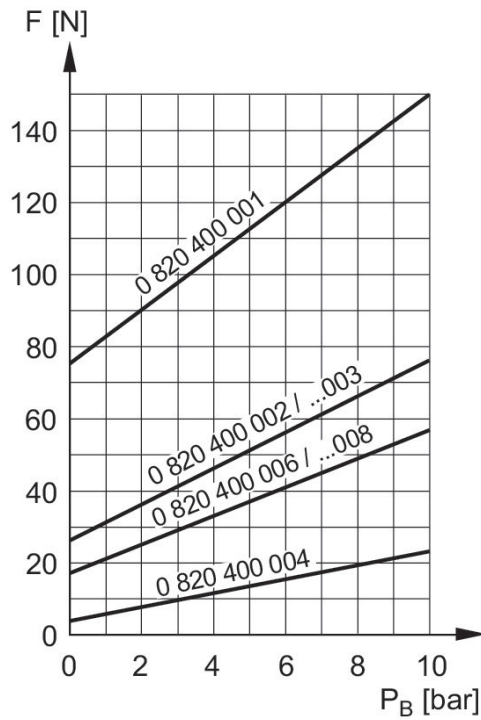
Fig. 6



1) optional protective cover, part number 1828104001

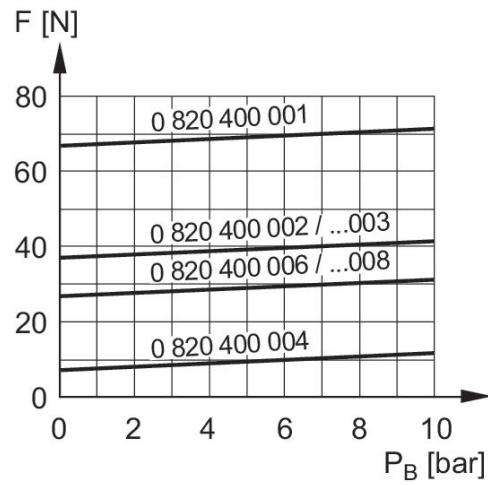
0820400001

Compressed air at port 3



Actuating force+

Compressed air at port 1



F = actuating force
 P_B = Working pressure