

# Poleplate 330



Mounting and installation products E-mobility  
Charging box mount - pole plate  
NEXT GREEN - POLEPLATE 330

## Model

E-No:  
27 000 20

Product name:  
Charging box mount Poleplate 330



## POLE PLATE 330 FEATURES

- Precut hole pattern to suit Charge Amps Aura EV-charger
- For mounting on a  $\varnothing$  60 mm steel tube
- Robust steel construction
- Powder coated, available in various colors. Contact Next Green for more information

## Technical specifications

**Material**  
Steel, Powder coated

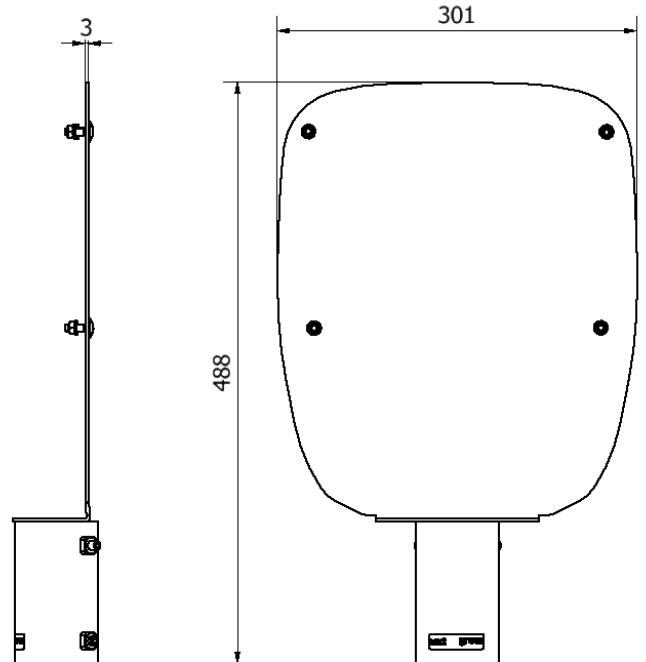
**Color**  
Graphite grey

### Dimensions

Weight 3.5 kg  
Height 530 mm  
Width 310 mm

### Packaging dimensions

Weight 3.5 kg  
Height 560 mm  
Width 370 mm  
Depth 60 mm



vikt: 3,2 kg

Next Green Poleplate 330 is a charger mount for installation on a  $\varnothing$  60 mm pole. Poleplate is made of Swedish steel and powder coated to provide the highest durability and quality. Poleplate enables easy mounting of a charging box to a steel tube.

Poleplate is manufactured in Sweden for the Nordic climate. It has a powder-coated design to withstand wind and weather. The Poleplate charging box holder is a cost-effective pole mount.

Poleplate 330 facilitates changing an engine heater station to a charging station and can be used to replace an engine heater central.



Next Green AB  
Brudtallsvägen 14  
SE-792 32 MORA  
SWEDEN

www.nextgreen.se  
info@nextgreen.se  
Tel: +46 250 50 39 90