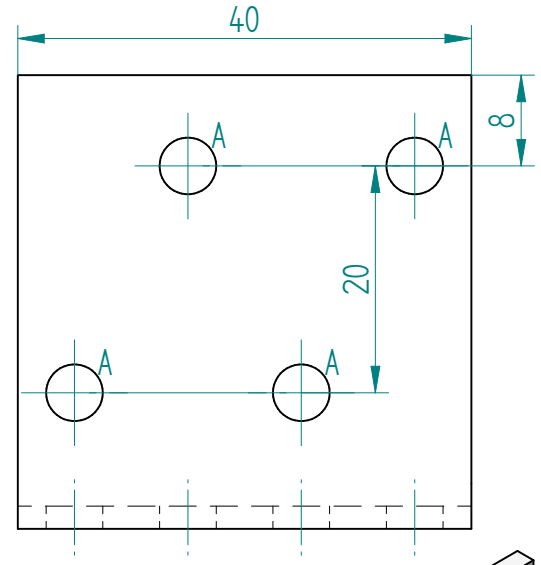
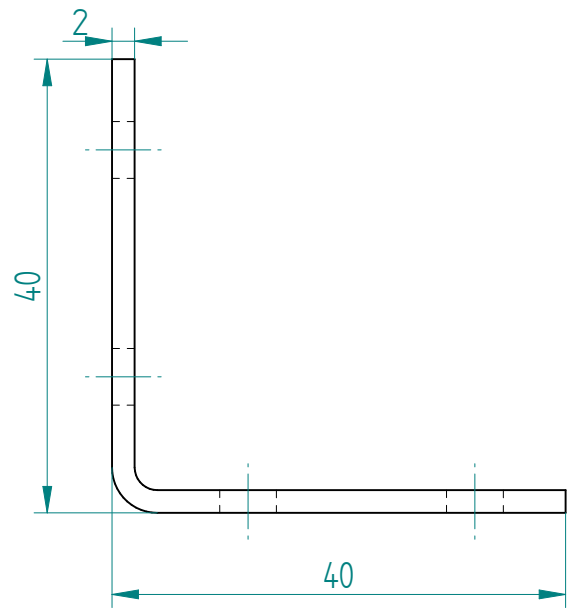
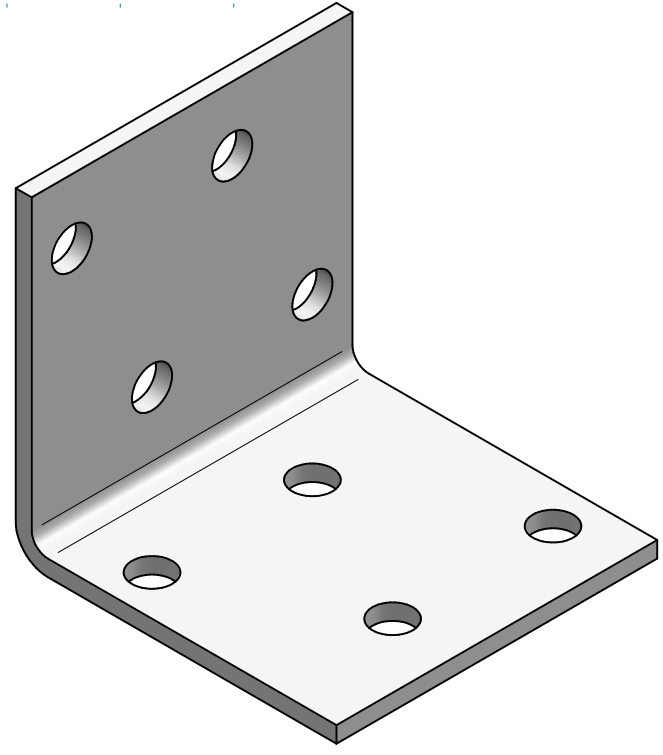
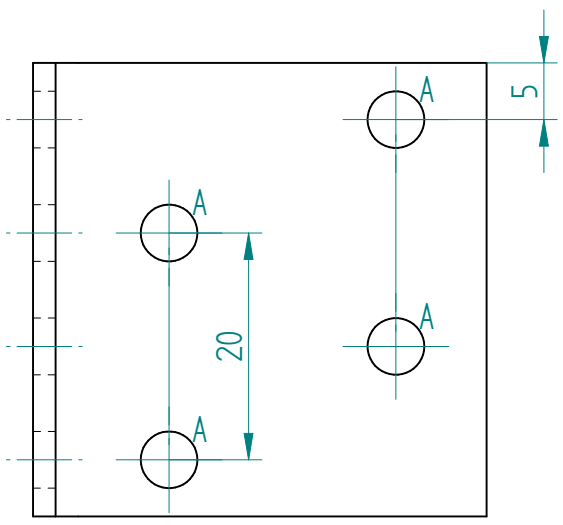


3.2



Hole	Size	Count
A	5 mm	8



**Product name:** Angle bracket 40x40x40x2,0  
**Material:** HDG DX51D Z275