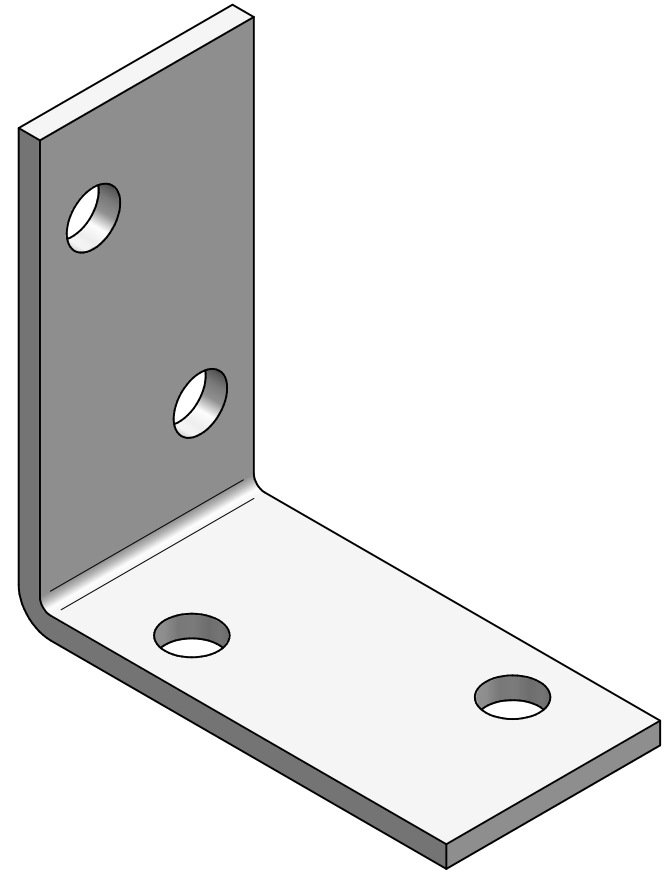


3.2/

Hole	Size	Count
A	5 mm	4



Product name: Angle bracket 40x40x20x2,0
Material: HDG DX51D Z275