

Polebox 190 S

next  green

Mounting and installation products E-mobility
EV-charger pole mount
NEXT GREEN - POLEBOX 190 S

Model

E-No:
24 803 57
S-No:
34 079 01

Product name:
Charging box mount Polebox 190 S



Technical specifications

Material
Color

Steel, High-strength steel
Graphite grey

Dimensions

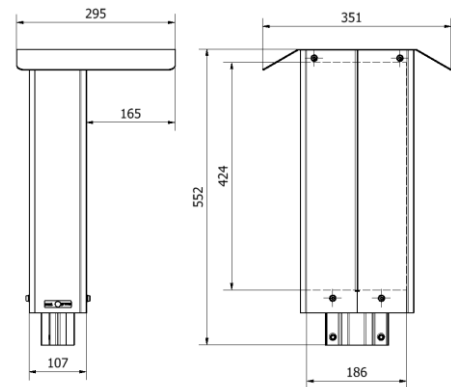
Weight 9 kg
Height 552 mm
Width 351 mm
Depth 295 mm
Mounting surface 190 mm

Packaging dimensions

Weight 9 kg
Height 570 mm
Width 310 mm
Depth 180 mm

POLEBOX 190 S FEATURES

- For mounting on \varnothing 60 mm steel tubes
- Most of the installation can be prepared indoors
- Robust steel construction
- Distribution block (1.5mm² - 25mm²)
- Prepared for mounting an earth fault circuit breaker, 3G / 4G router
- Powder coated, available in various colors. Contact Next Green for more information.



SELECTION OF COMPATIBLE CHARGING BOXES

- ABB Terra AC
- Charge Amps Halo
- Easee Home
- Easee Charge
- Elinta Homebox Slim
- Garo GLB
- Wallbox Pulsar
- Wallbox Copper SB
- Zaptec GO

Next Green Polebox is a post mount for charging boxes for mounting on a 60 mm pipe post. Polebox makes it easy, for example when changing from engine heater location to charging location and can therefore be used to replace an engine heater hood. The product is intended for feeding electrical cables inside the pole tube.

Polebox has a built-in distribution terminal for up to 2 x 5G25 power cable for extending the connection to the next charging post. From the distribution terminal in the Polebox, the respective charging box is then connected using a 5G2.5 rubber cable. Polebox comes with a DIN rail for residual current circuit breakers and can be fitted with an additional DIN rail for units such as a Wi-Fi-router or a 3G/4G modem or power supply.

Everything fits neatly inside the box. Polebox is made of Swedish steel and powder coated to provide the highest quality.

Polebox is made to fit many different charger models. Screw holes for each charger are drilled upon installation. Polebox is very easy to install. It is prepared indoors by mounting charging boxes and unplugging the wiring from the dispersion terminal. Polebox is then put in place outside on the existing steel tube and the charger hood is lifted and fastened. This provides easy to access for screwing supply wires into the plinth.

Suitable for charging boxes with a maximum hole pattern width of 190mm and 430mm high.

next  green

Next Green AB
Brudtallsvägen 14
SE-792 32 MORA
SWEDEN

www.nextgreen.se
info@nextgreen.se
Tel: +46 250 50 39 90