

Ceiling and floor mount HD 60

next  green

Mounting and installation products E-mobility
NEXT GREEN - CEILING AND FLOOR MOUNT HD 60

Model

E-No:
27 001 76
S-No:
34 079 11

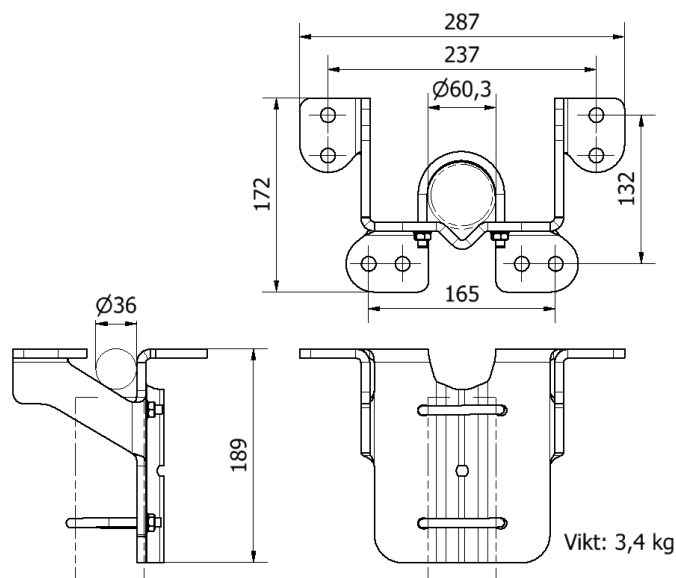
Product name:
Ceiling and floor mount HD 60

CEILING AND FLOOR MOUNT HD 60 FEATURES

- Precut hole pattern for mounting on ceilings or floors
- Designed to enable cable entry 360°
- Fits any length of Ø 60 mm steel tubes
- Safety bolt hole
- Robust galvanized steel construction



Sample image.
Ceiling mounting.



Technical specifications

Material Galvanized steel – SS-EN ISO 1461.

Dimensions

Weight 4.6 kg
Height 200 mm
Width 270 mm
Depth 180 mm

Next Green – Ceiling and floor mount HD 60 has been developed to mount a 60 mm steel tube for further installation of a charging box from the ceiling or floor, for example in a parking garage. The ceiling and floor mounts allow for cable entry 360°. The bracket comes with U-bolts for mounting 60 mm Steel tubes of any length. Attached with expander. Screw and plug not included. Steel tubes not included.

Accessories

Steel tube Ø 60mm

Item number	Name
27 000 28	Steel tube 1500 mm
24190021	Steel tube 2500 mm
24190022	Steel tube 2850mm



next  green

Next Green AB
Brudtallsvägen 14
SE-792 32 MORA
SWEDEN

www.nextgreen.se
info@nextgreen.se
Tel: +46 250 50 39 90