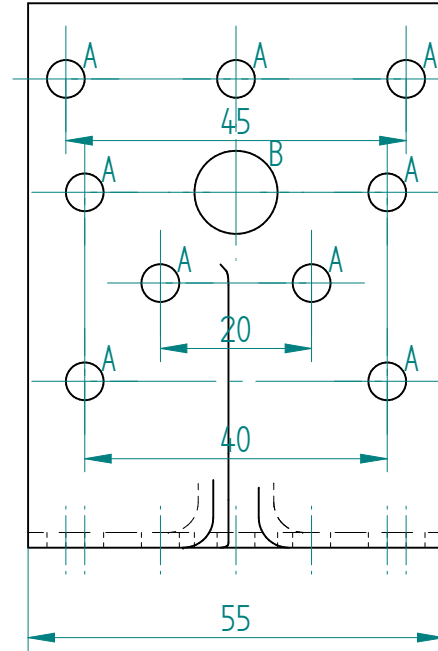
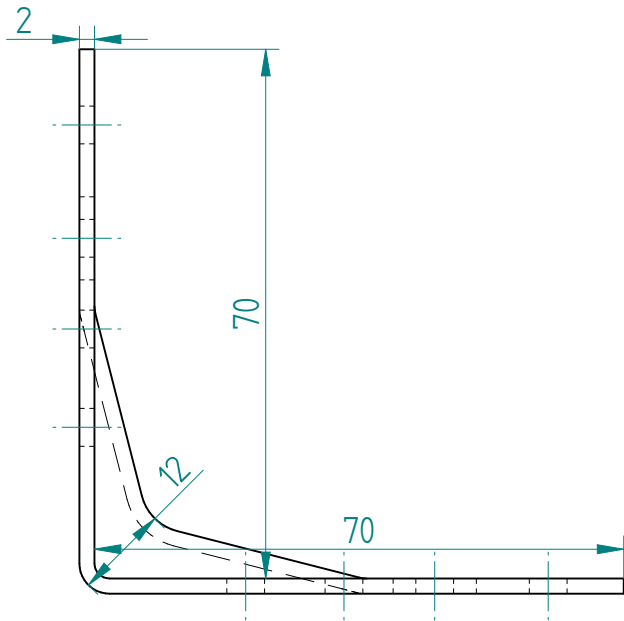
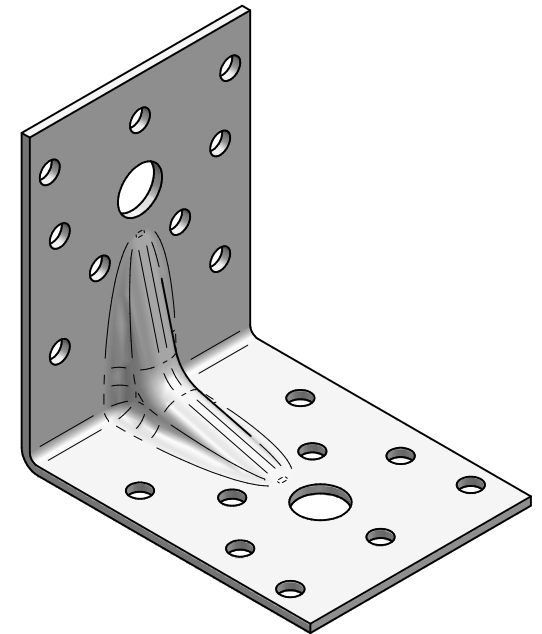
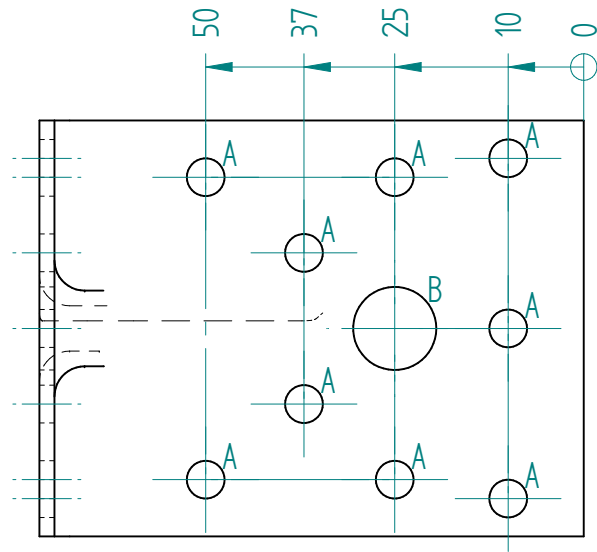


3.2



Hole	Size	Count
A	5 mm	18
B	11 mm	2



Product name: Angle bracket 70x70x55x2,0 reinforced
Material: A2 AISI304