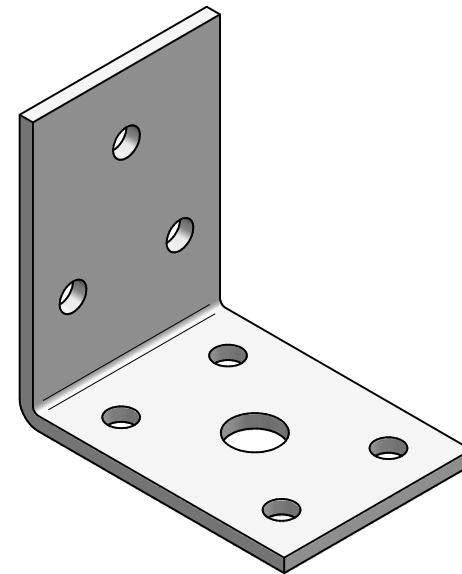
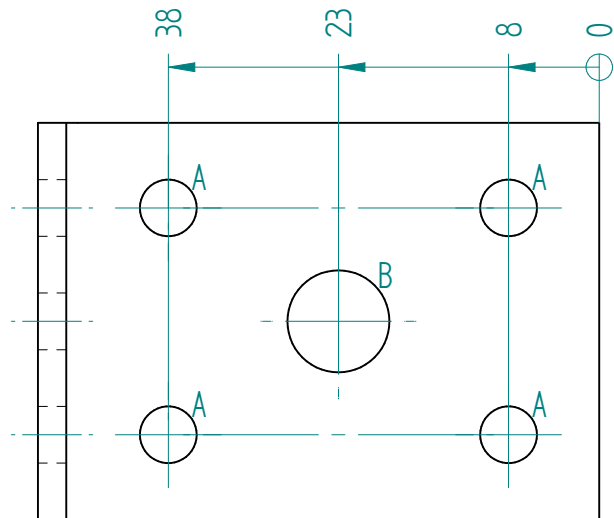


3.2

Hole	Size	Count
A	5 mm	7
B	9 mm	1



**Product name:** Angle bracket 50x50x35x2,5  
**Material:** HDG DX51D Z275